

[54] HAND OPERATED LABELING MACHINE

[75] Inventor: Yo Sato, Tokyo, Japan

[73] Assignee: Kabushiki Kaisha Sato Kenkyusho, Tokyo, Japan

[**] Term: 14 Years

[21] Appl. No.: 805,624

[22] Filed: Jun. 8, 1977

[51] Int. Cl. D18-02

[52] U.S. Cl. D18/14

[58] Field of Search D64/10; 101/288; 156/384, DIG. 48, DIG. 49

[56] References Cited

U.S. PATENT DOCUMENTS

D. 228,364	9/1973	Lee	D64/10
D. 237,746	11/1975	Sato	D64/10
3,116,686	1/1964	Dudley	156/DIG. 49
4,041,863	8/1977	Mullen et al.	101/288 X

Primary Examiner—Louis S. Zarfes
Attorney, Agent, or Firm—Sidney G. Faber

[57] CLAIM

The ornamental design for a hand operated labeling machine, as shown.

DESCRIPTION

FIG. 1 is a front end elevational view of a hand operated labeling machine showing my new design;
 FIG. 2 is a rear end elevational view of the hand operated labeling machine;
 FIG. 3 is a top plan view of the hand operated labeling machine;
 FIG. 4 is a bottom plan view of the hand operated labeling machine;
 FIG. 5 is a left side elevational view of the hand operated labeling machine;
 FIG. 6 is a right side elevational view of the hand operated labeling machine; and
 FIG. 7 is a perspective view of the hand operated labeling machine.

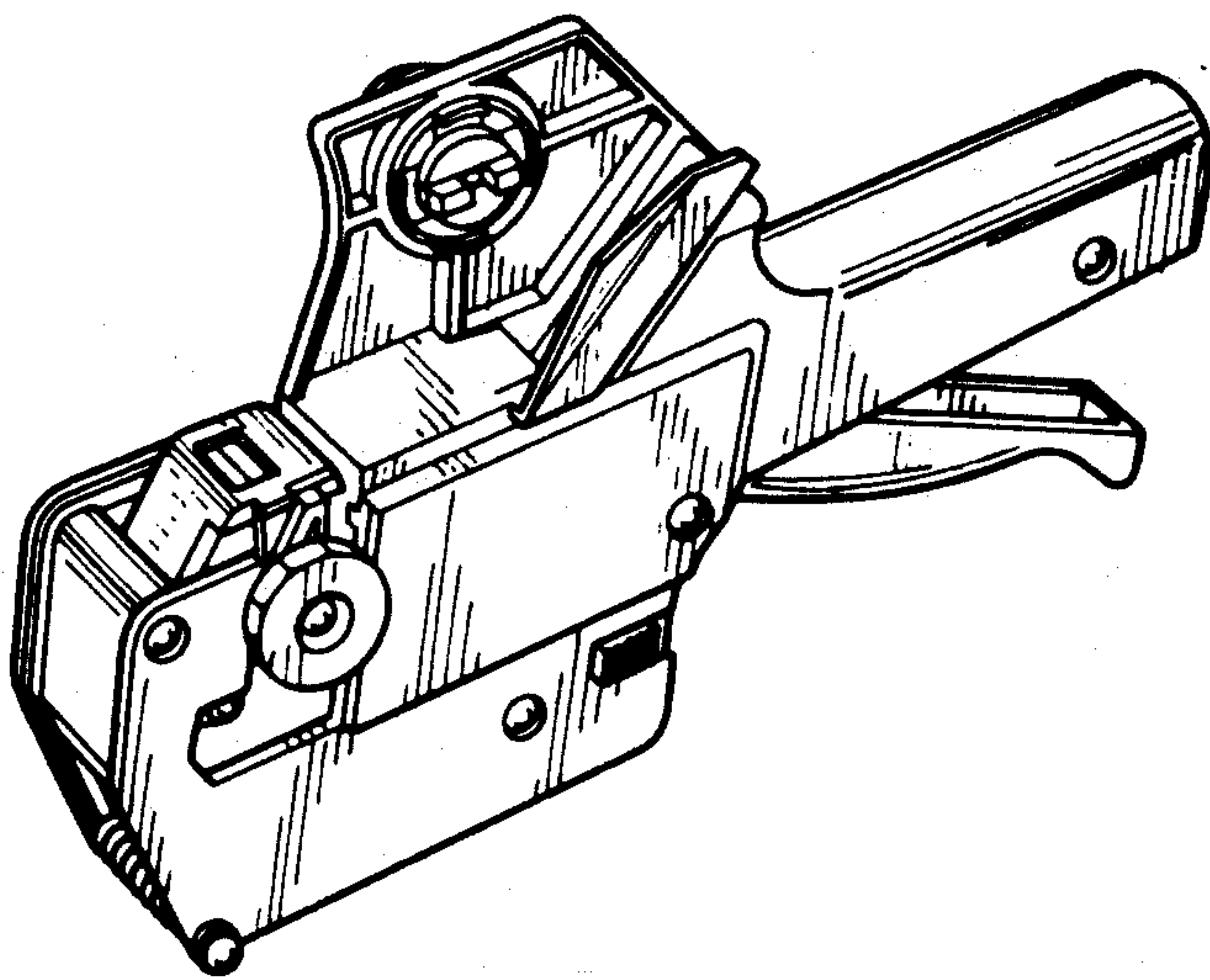


FIG. 1

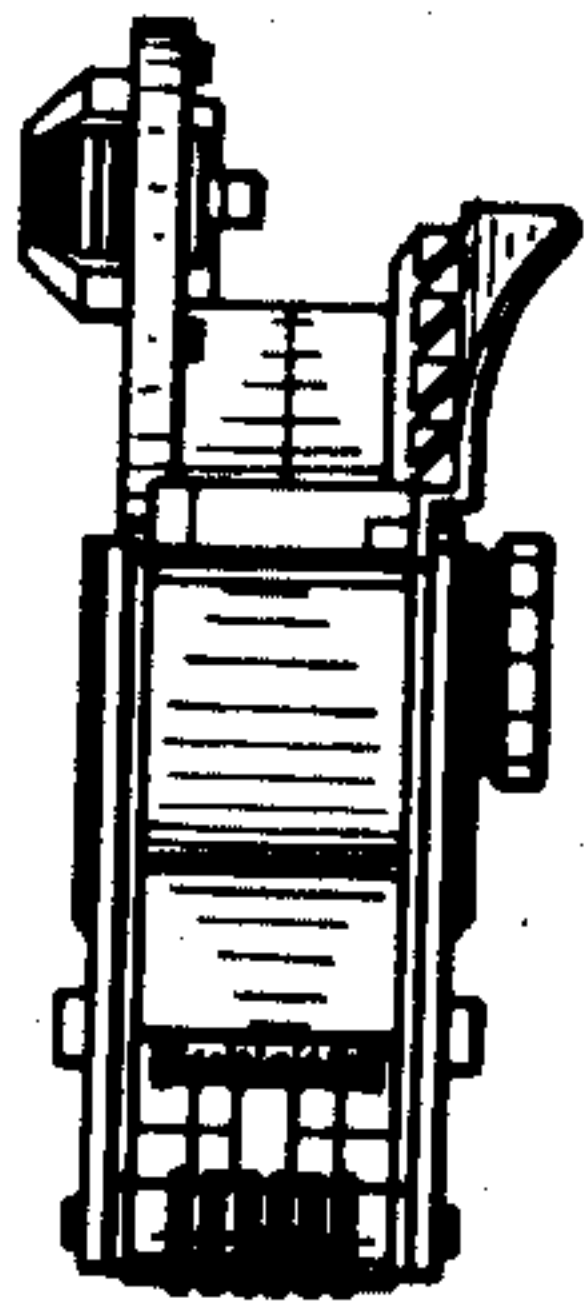


FIG. 2

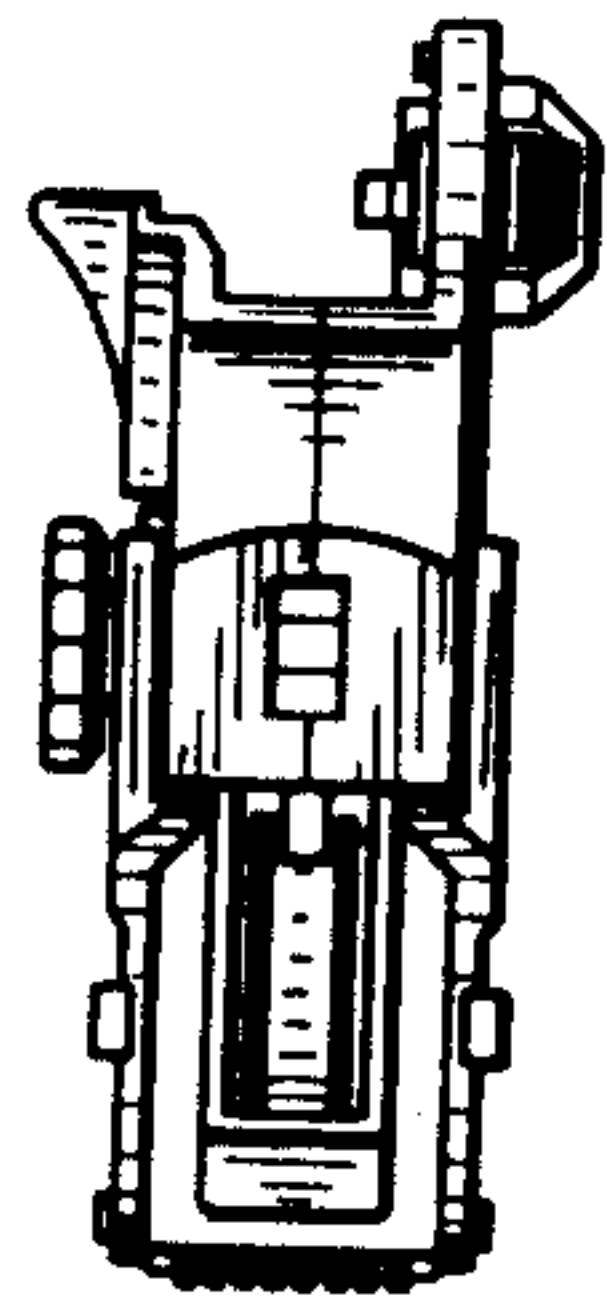


FIG. 3

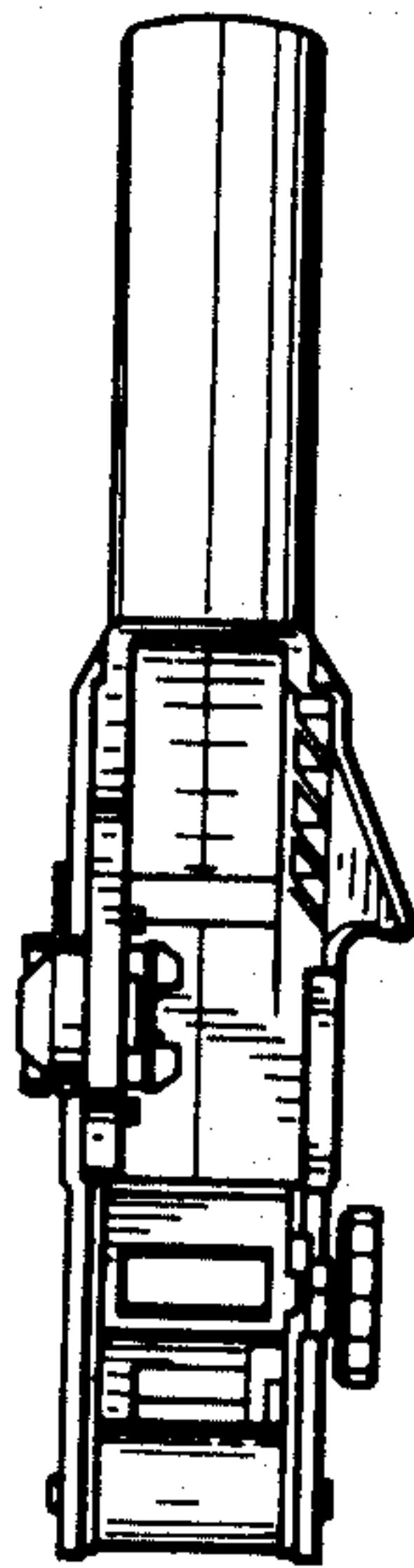


FIG. 4

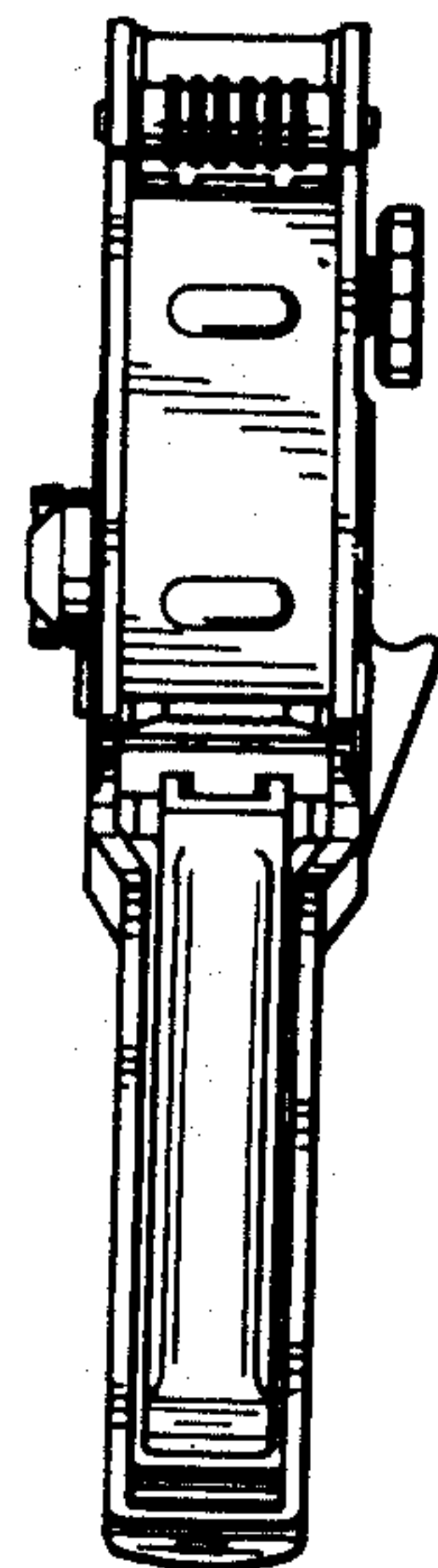


FIG. 5

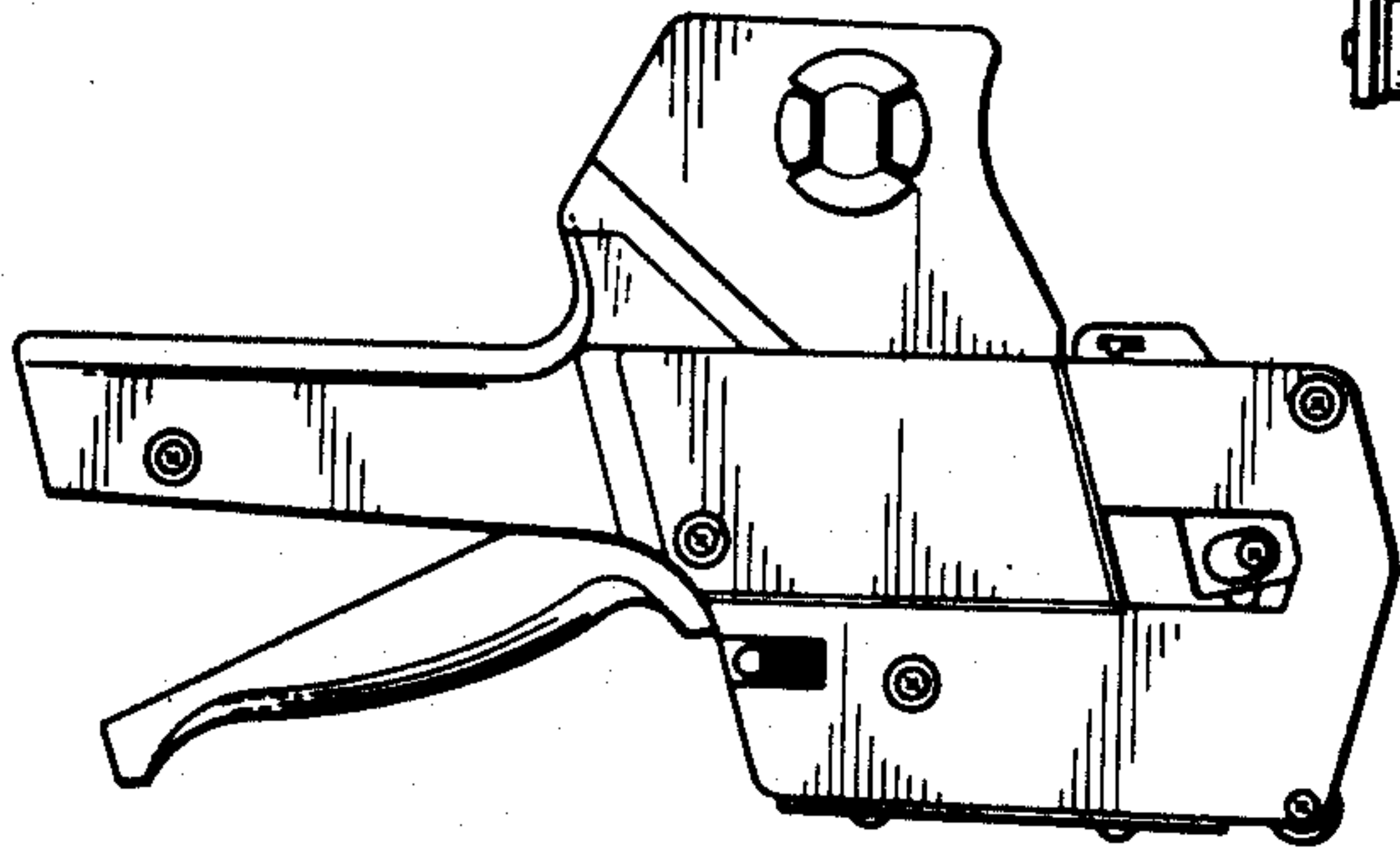


FIG. 7

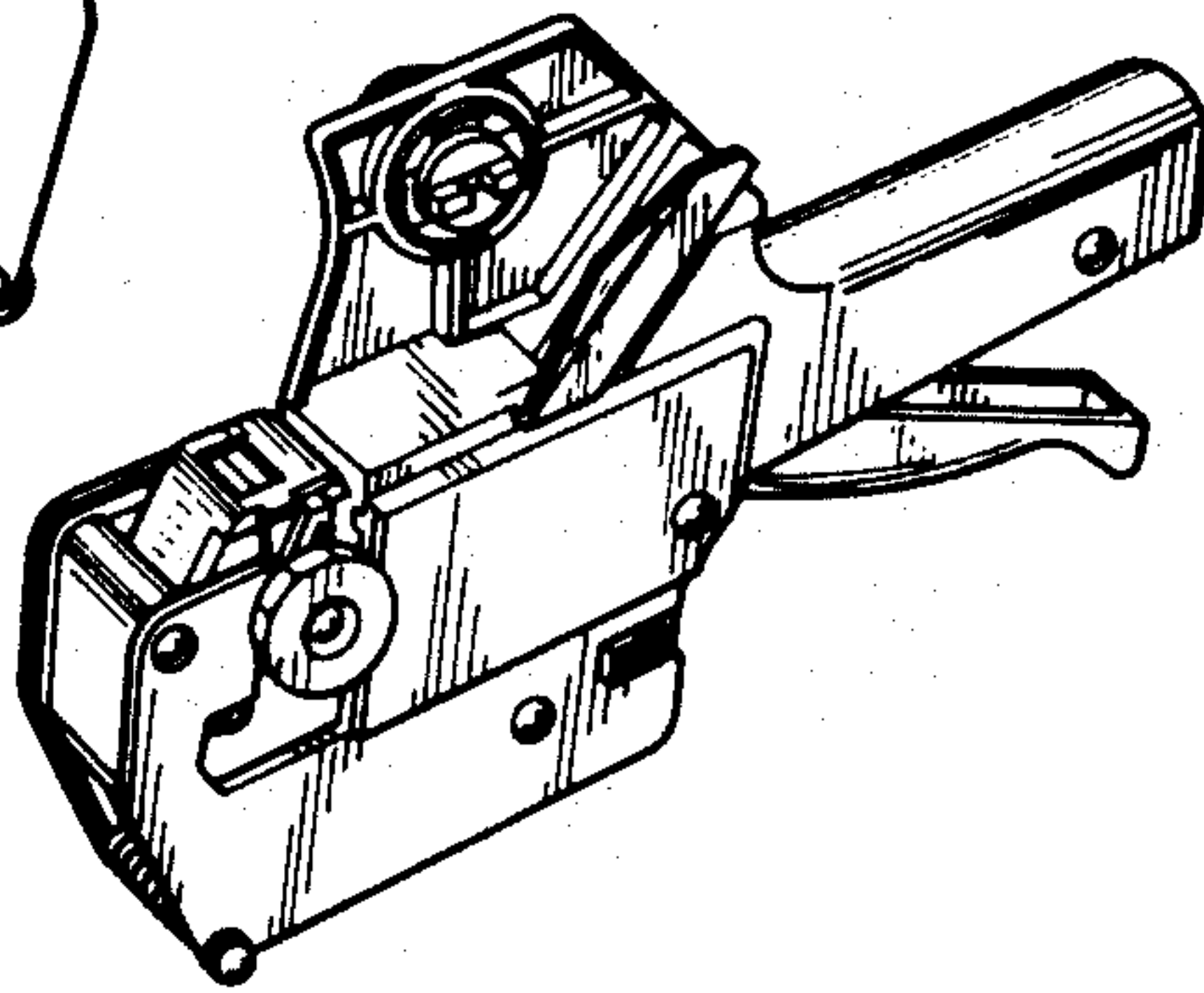


FIG. 6

