

[54] FLOW CONTROL VALVE CHAMBER FOR A CONCRETE PUMP OR THE LIKE

[75] Inventor: John T. McGraw, Laguna Beach, Calif.

[73] Assignee: Thomsen Equipment Company, Gardena, Calif.

[**] Term: 14 Years

[21] Appl. No.: 806,757

[22] Filed: Jun. 15, 1977

[51] Int. Cl. D15-02

[52] U.S. Cl. D15/7; D23/19

[58] Field of Search D15/7-9; D23/19-22; 417/516, 517, 518, 519, 900; 137/375, 625.43

[56] References Cited

U.S. PATENT DOCUMENTS

Re. 26,820	3/1970	Bennett	417/317
D. 202,835	11/1966	Bennett	D15/7
D. 202,836	11/1966	Bennett	D15/7

3,194,271	7/1965	Viessmann	137/625.43
3,295,554	1/1967	Huppert	137/625.43
3,545,893	12/1970	Schlecht	417/517 X
3,829,254	8/1974	Stetter et al.	417/517

FOREIGN PATENT DOCUMENTS

1024299	2/1958	Fed. Rep. of Germany	137/625.43
1280109	11/1960	France	137/625.43

Primary Examiner—James R. Largen
Attorney, Agent, or Firm—Edward J. Darin

[57] CLAIM

The ornamental design for a flow control valve chamber for a concrete pump or the like, substantially as shown.

DESCRIPTION

FIG. 1 is a top plan view of a flow control valve chamber for a concrete pump showing my new design; FIG. 2 is a front elevational view thereof; FIG. 3 is a right side elevational view thereof; FIG. 4 is a left side elevational view thereof; FIG. 5 is a bottom plan view thereof; and FIG. 6 is a rear elevational view thereof.

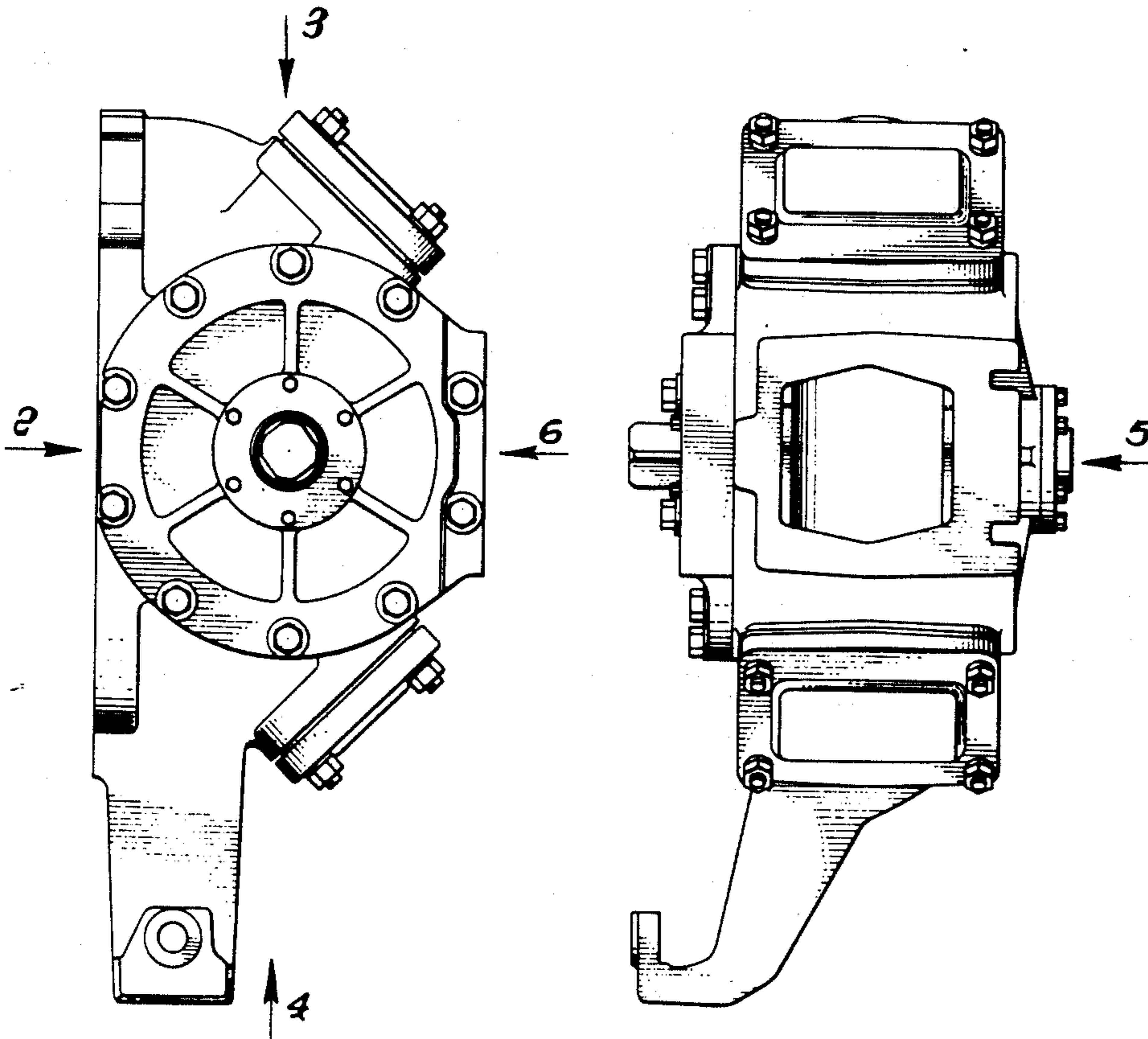


FIG. 1.

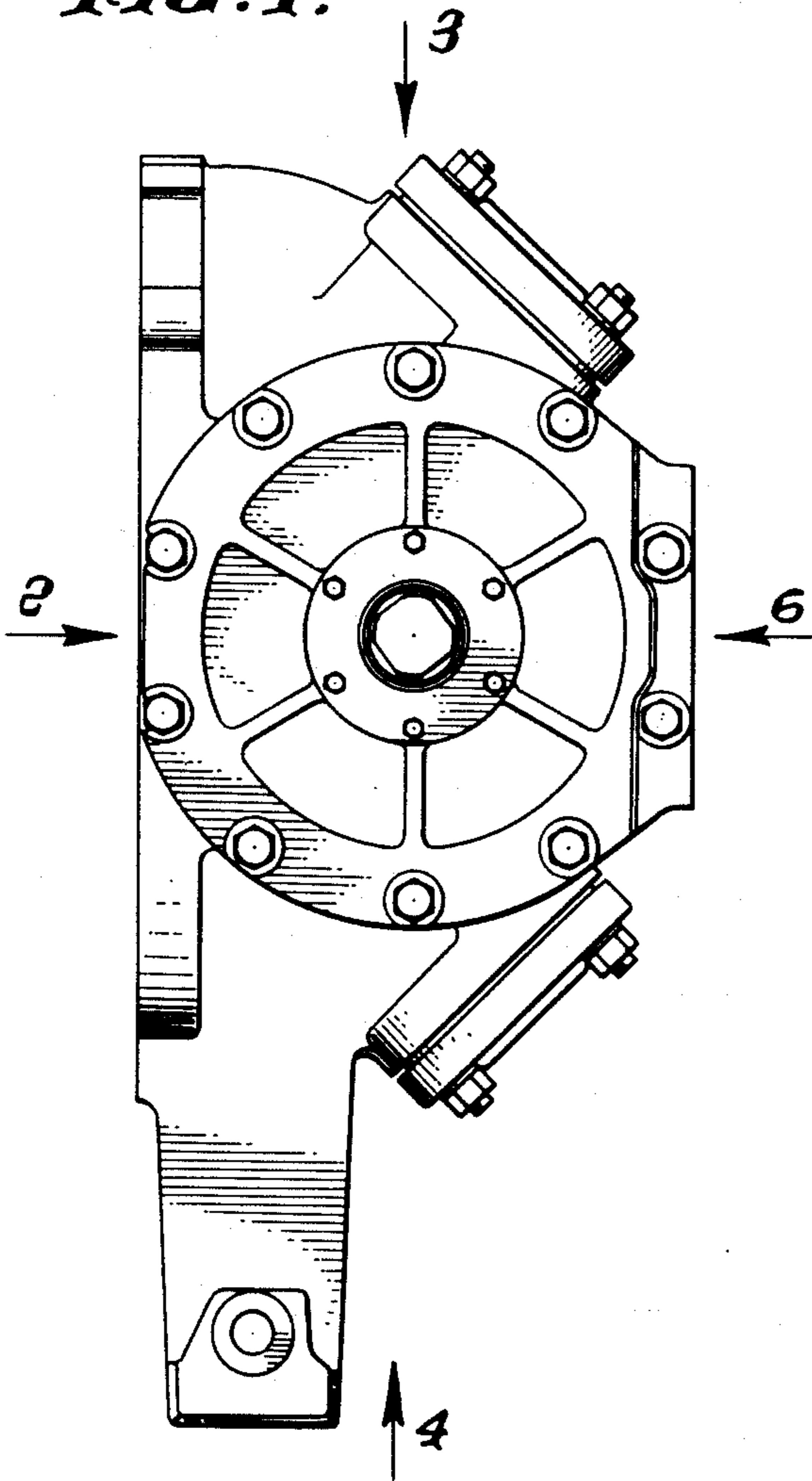


FIG. 2.

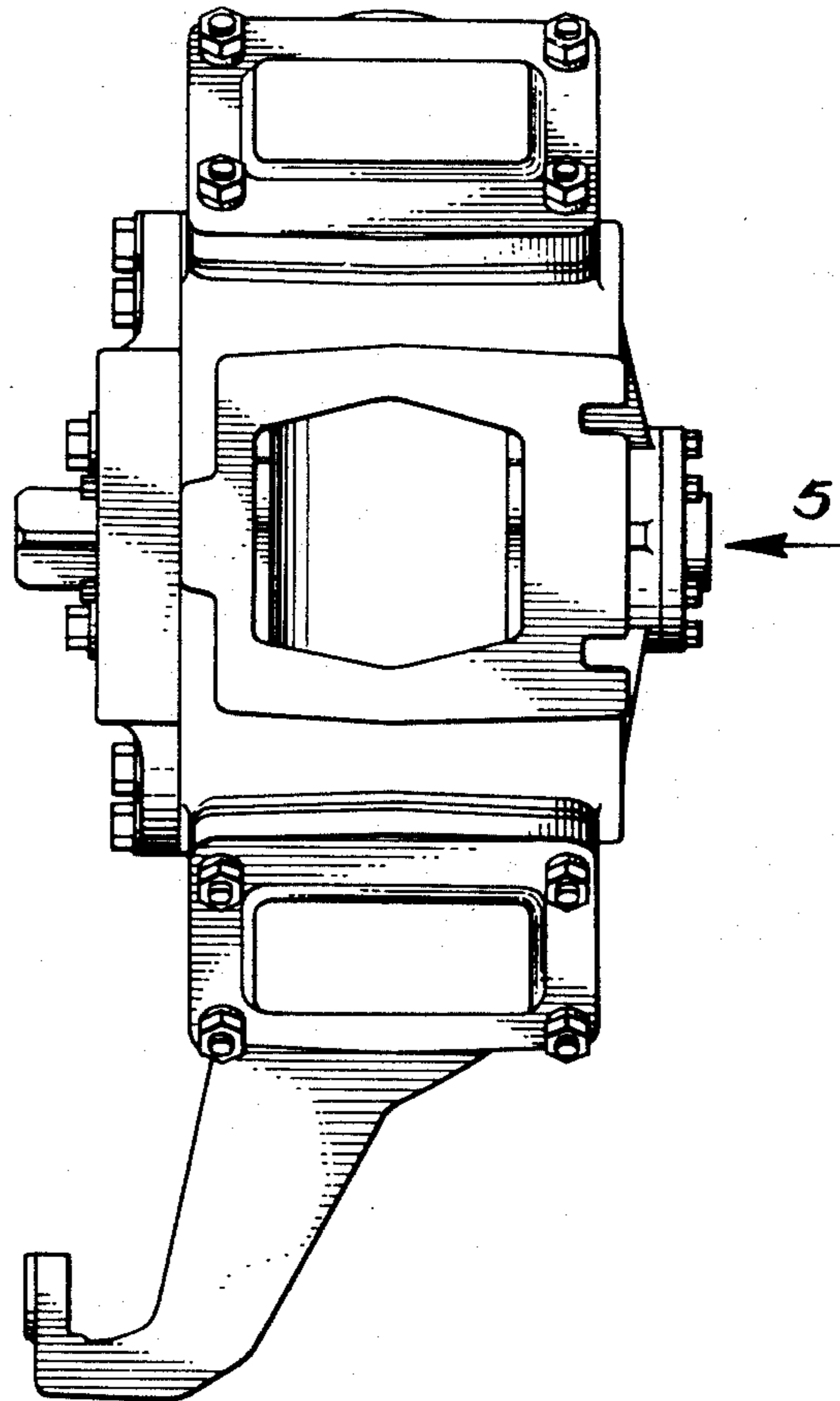


FIG. 3.

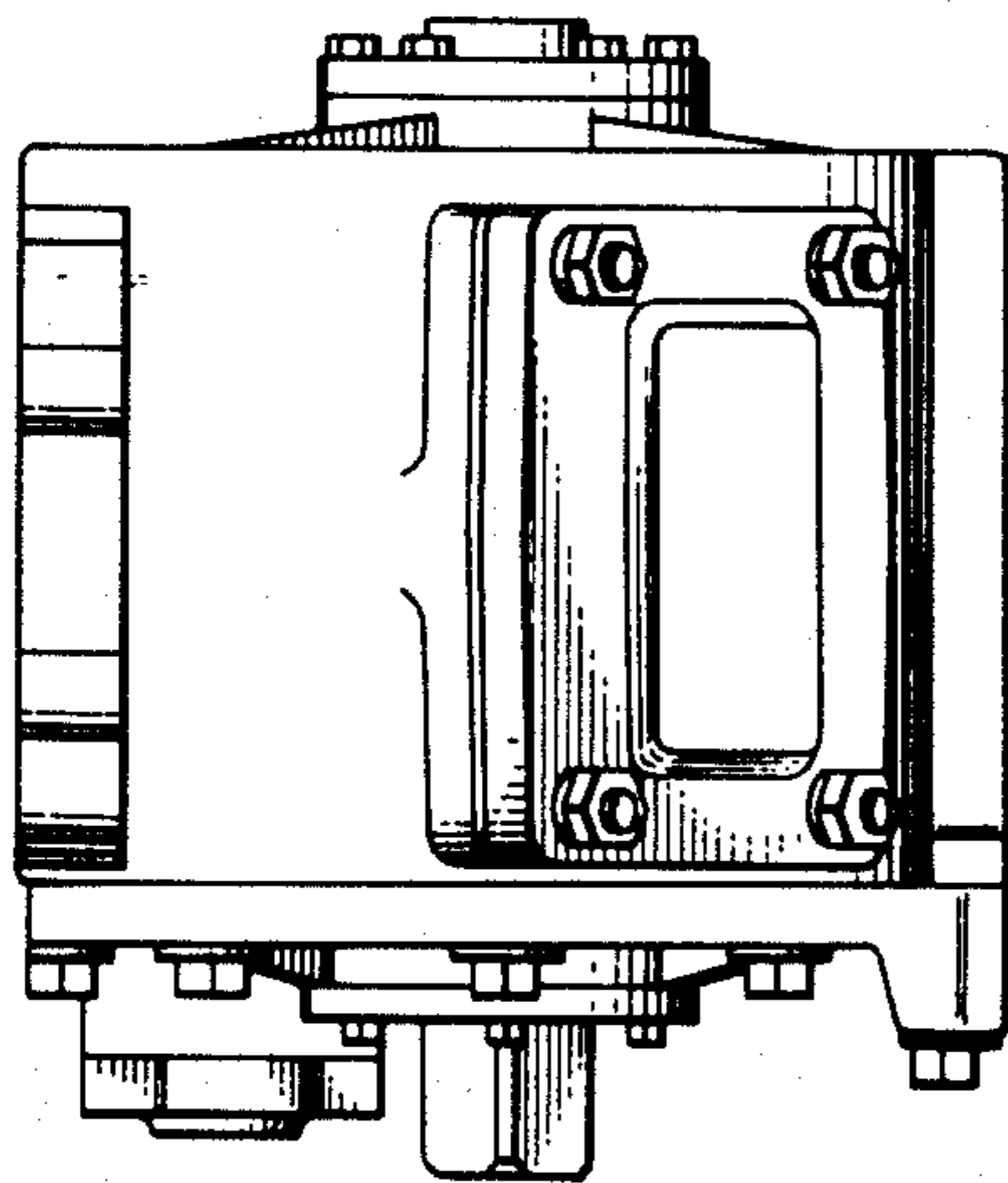


FIG. 4.

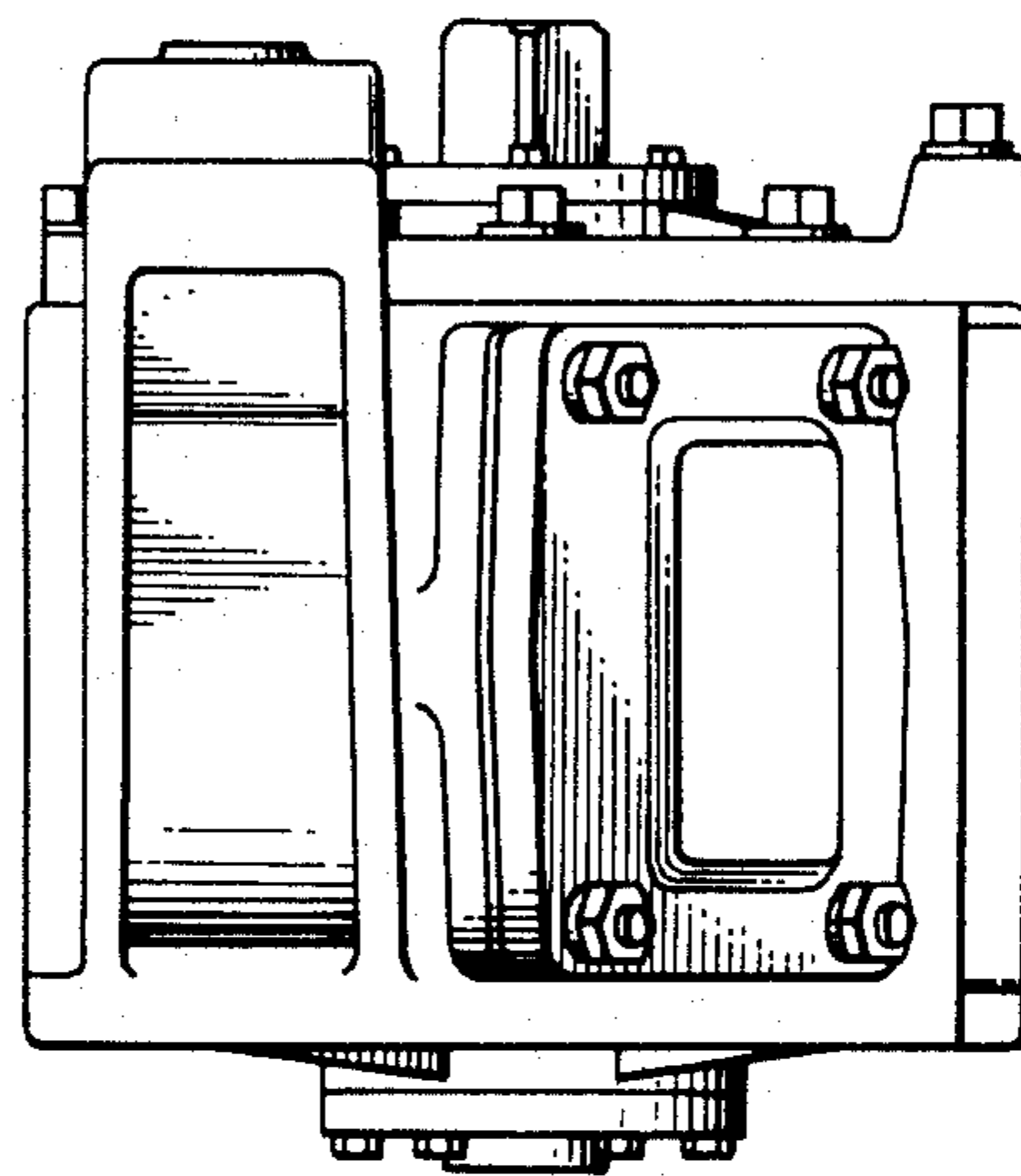


FIG. 5.

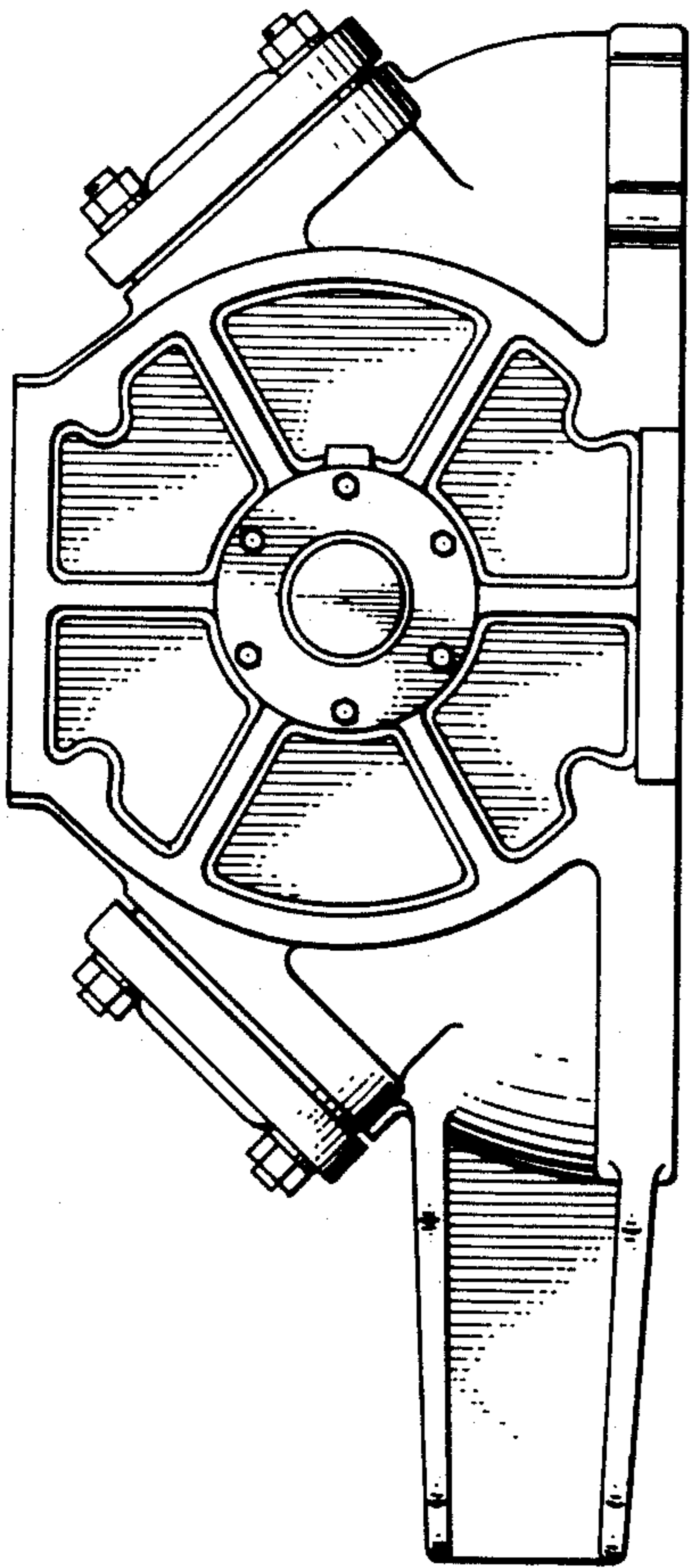


FIG. 6.

