

[54] COMBINED CONDIMENT AND NAPKIN HOLDER

[76] Inventor: Delbert H. Synder, 940 Everett Rd., Fremont, Ohio 43420

[\*\*] Term: 14 Years

[21] Appl. No.: 776,006

[22] Filed: Mar. 9, 1977

[51] Int. Cl. .... D7-06

[52] U.S. Cl. .... D7/52; D6/45; D7/5

[58] Field of Search ..... D7/5, 76, 52, 55, 57, D7/56, 81; D6/42, 45; D87/1 R

[56] References Cited

U.S. PATENT DOCUMENTS

D. 55,496 6/1920 White ..... D7/52  
D. 171,625 3/1954 Wahl ..... D6/45

D. 242,203 11/1976 Falbo ..... D7/52  
2,246,431 6/1941 Cochran ..... D34/13 A X

OTHER PUBLICATIONS

Helen Gallagher-Foster House, Wise Owl Sale, 4-30-1968, p. 20, Ranch House Condiment Picnic Bench, top left.

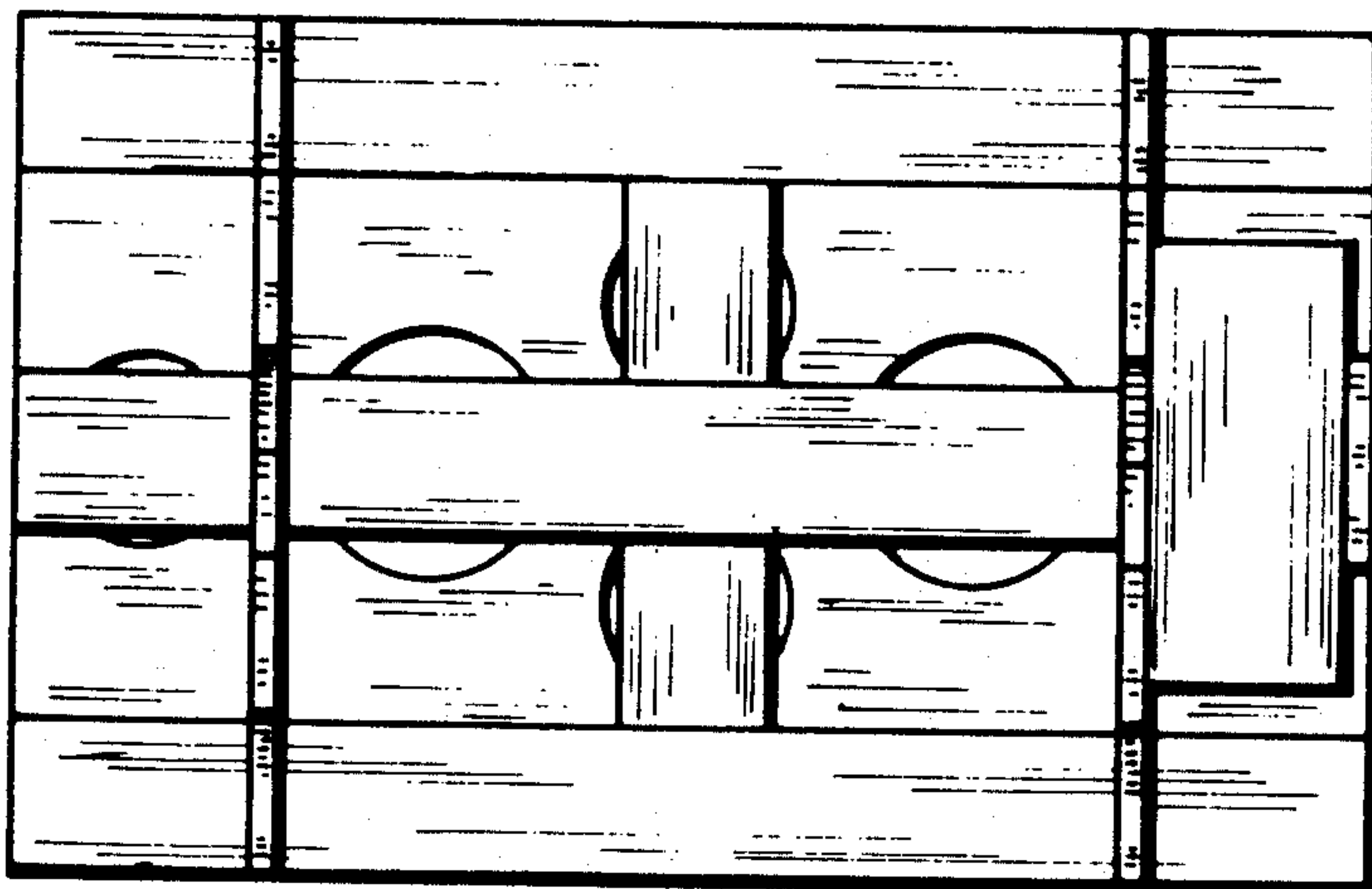
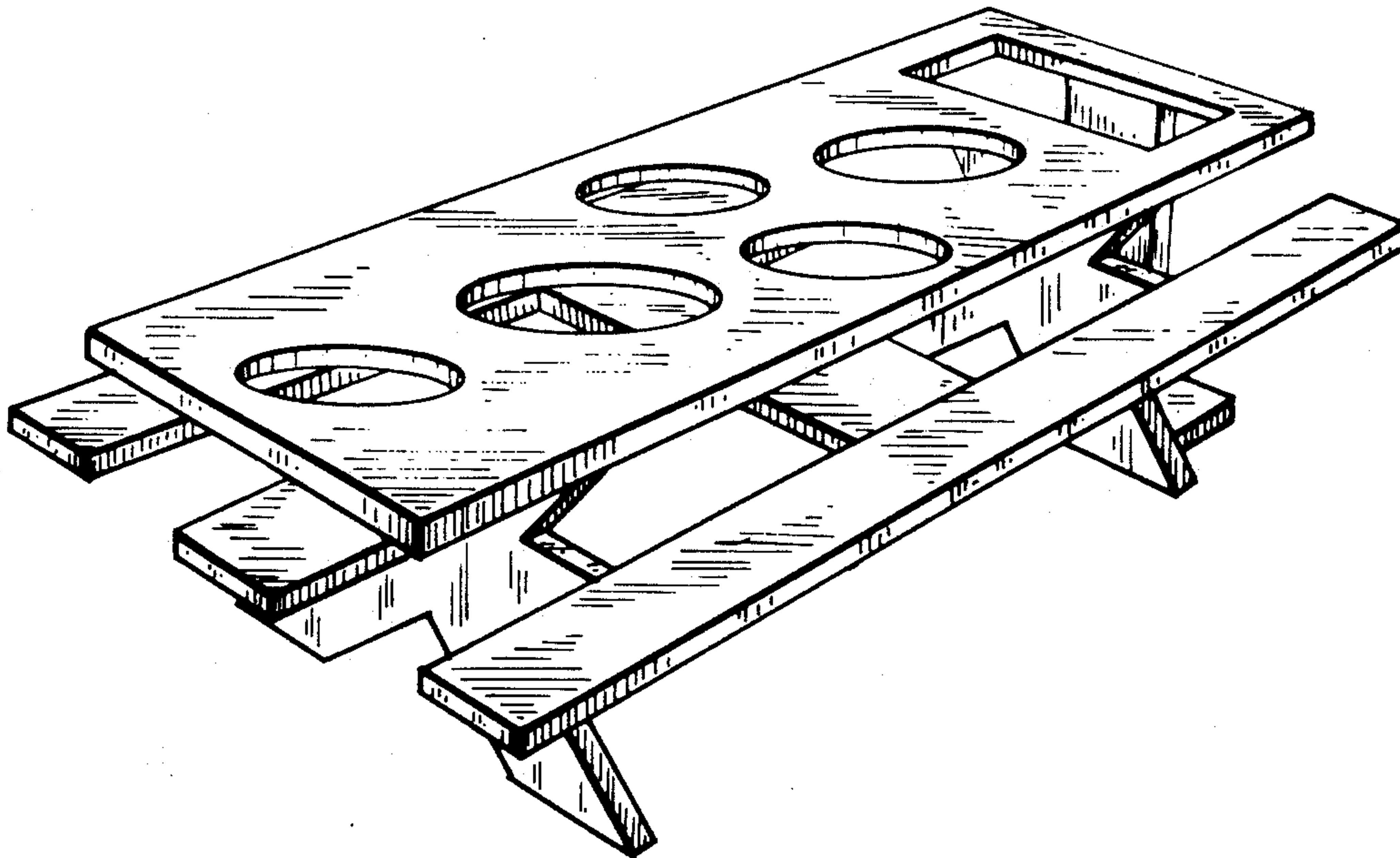
Primary Examiner—Winifred E. Herrmann  
Attorney, Agent, or Firm—David H. Wilson

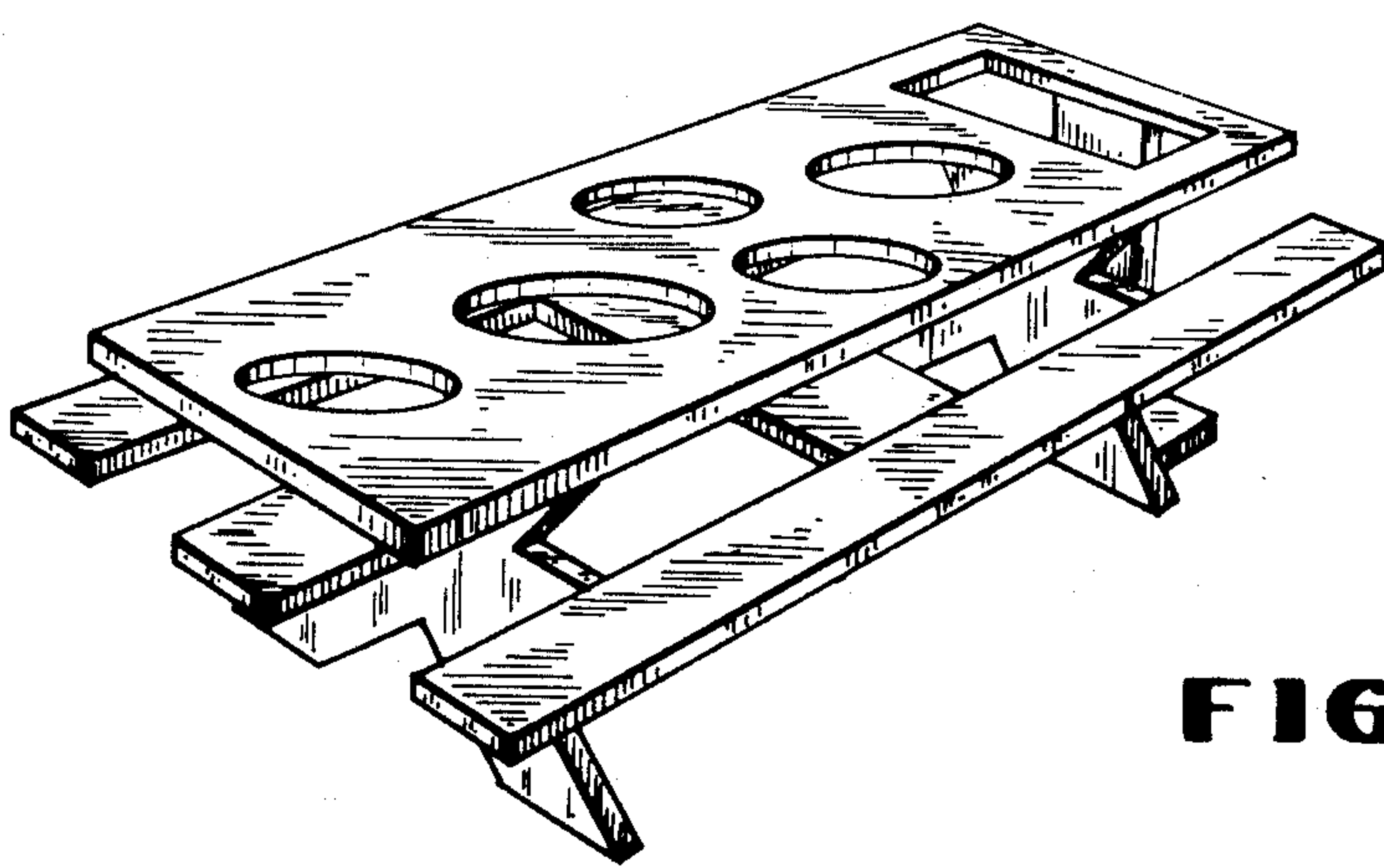
[57] CLAIM

The ornamental design for a combined condiment and napkin holder, as shown.

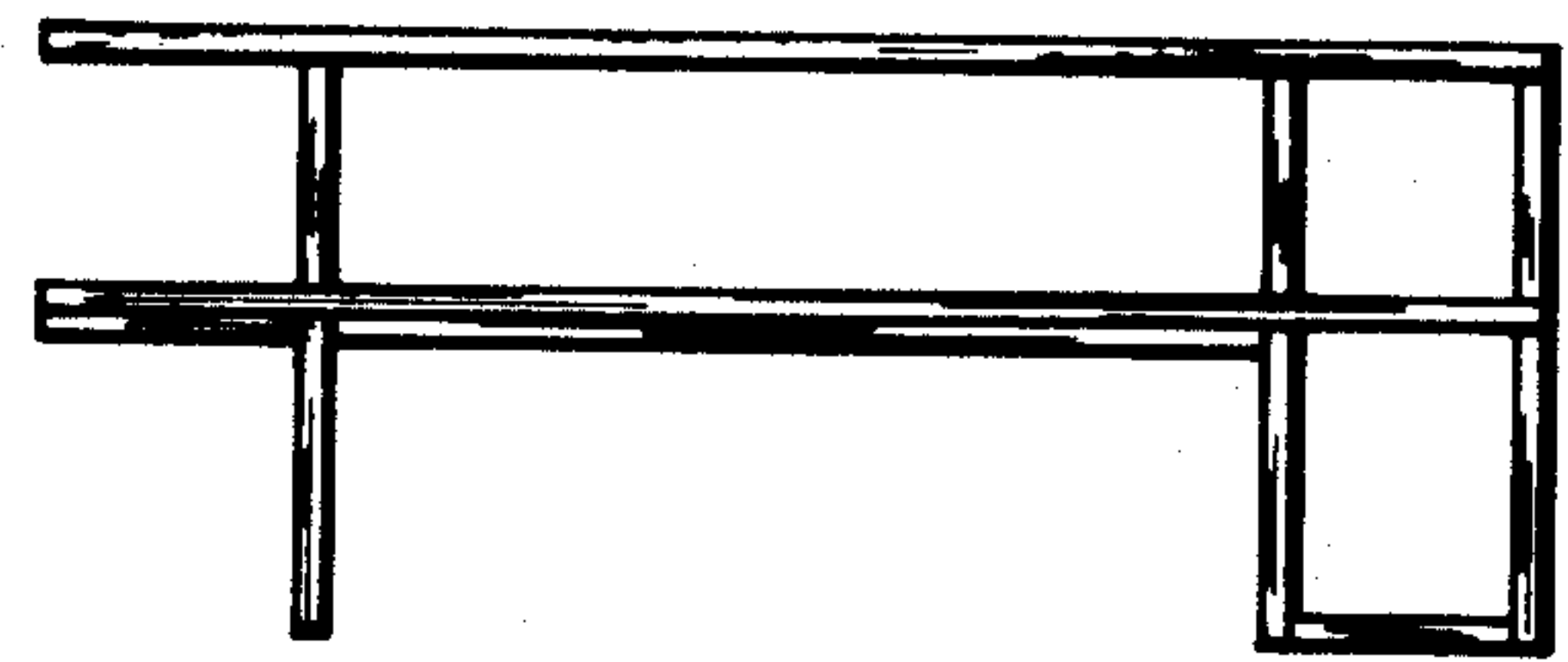
DESCRIPTION

FIG. 1 is a perspective view of a combined condiment and napkin holder showing my new design; FIG. 2 is a front elevational view thereof; FIG. 3 is a left side elevational view thereof; FIG. 4 is a right side elevational view thereof; and FIG. 5 is a bottom plan view thereof.

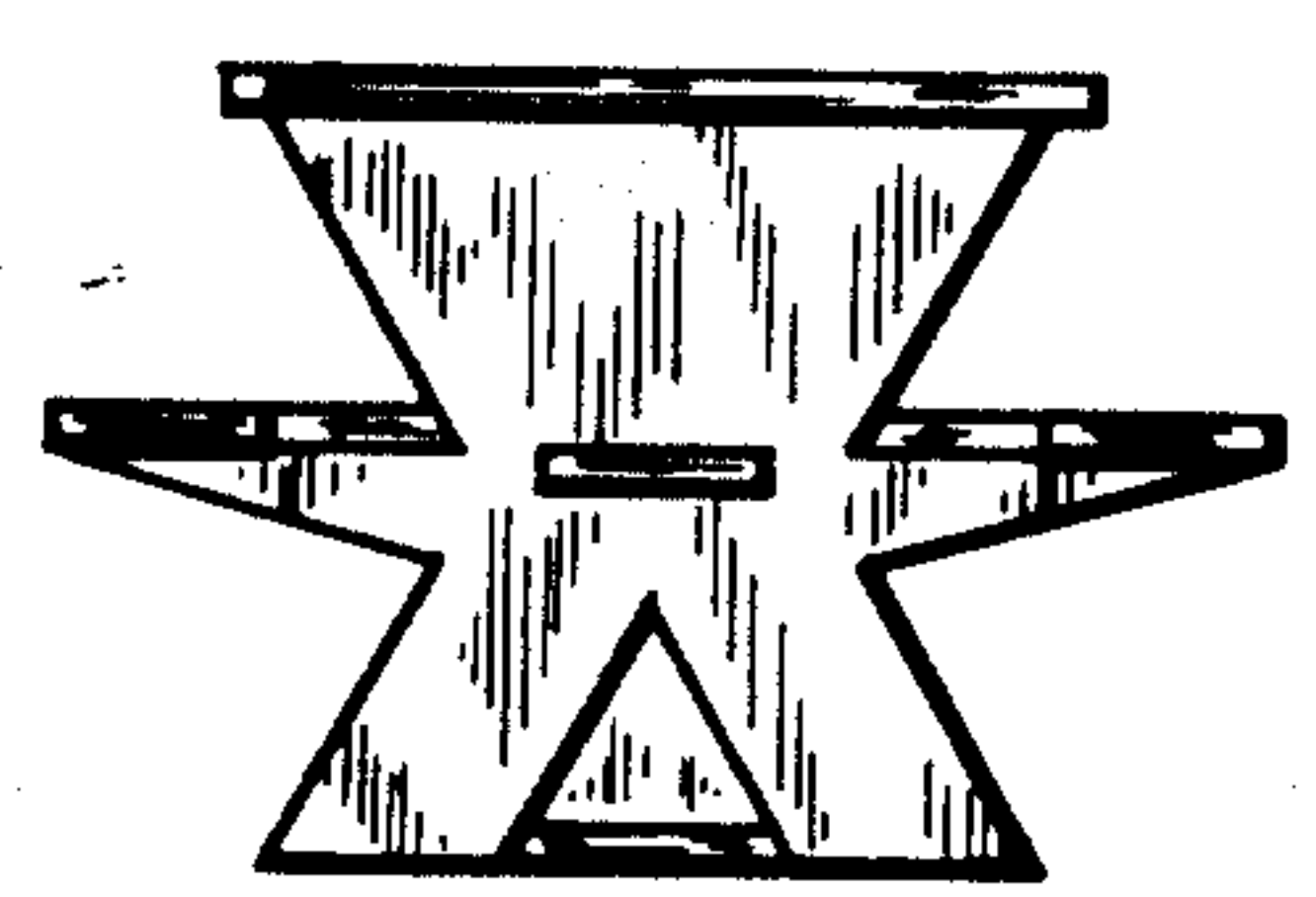




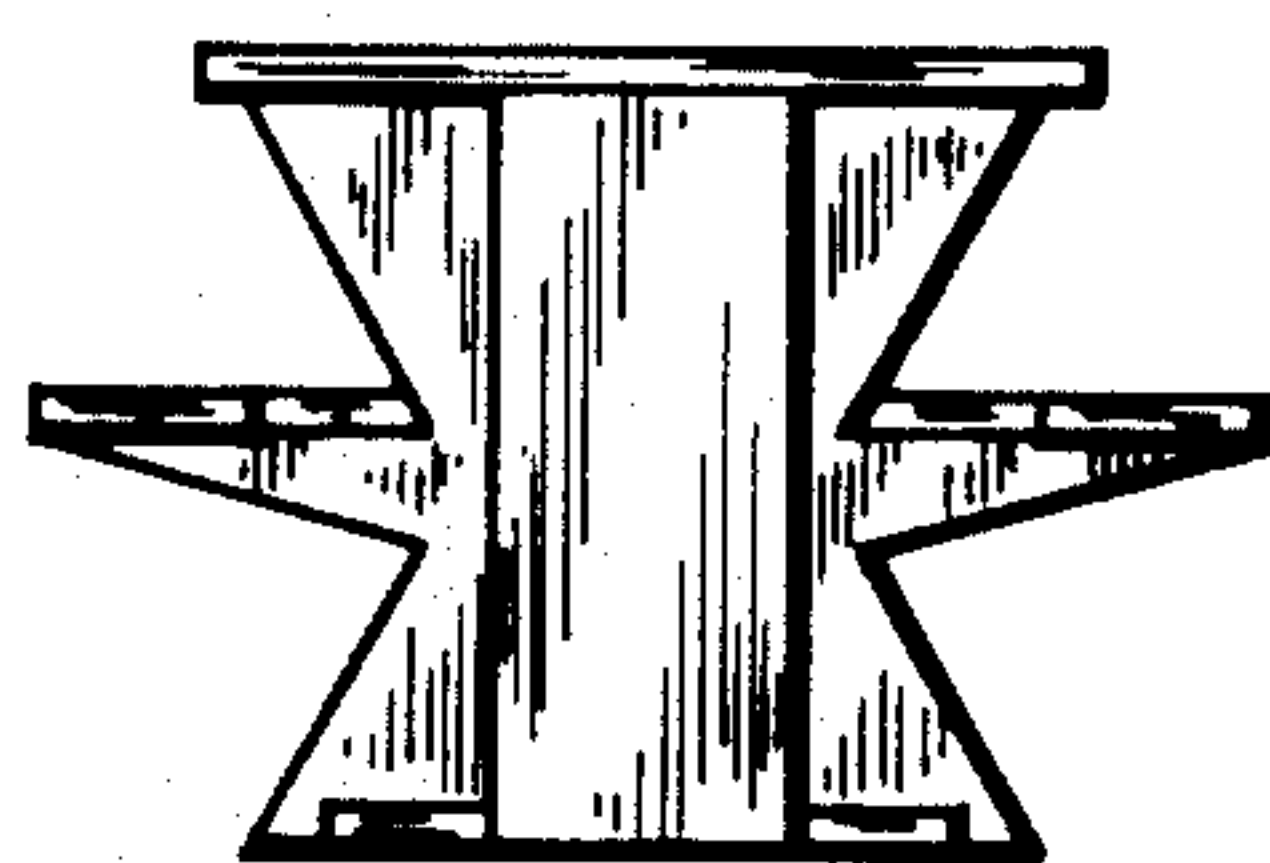
**FIG. 1**



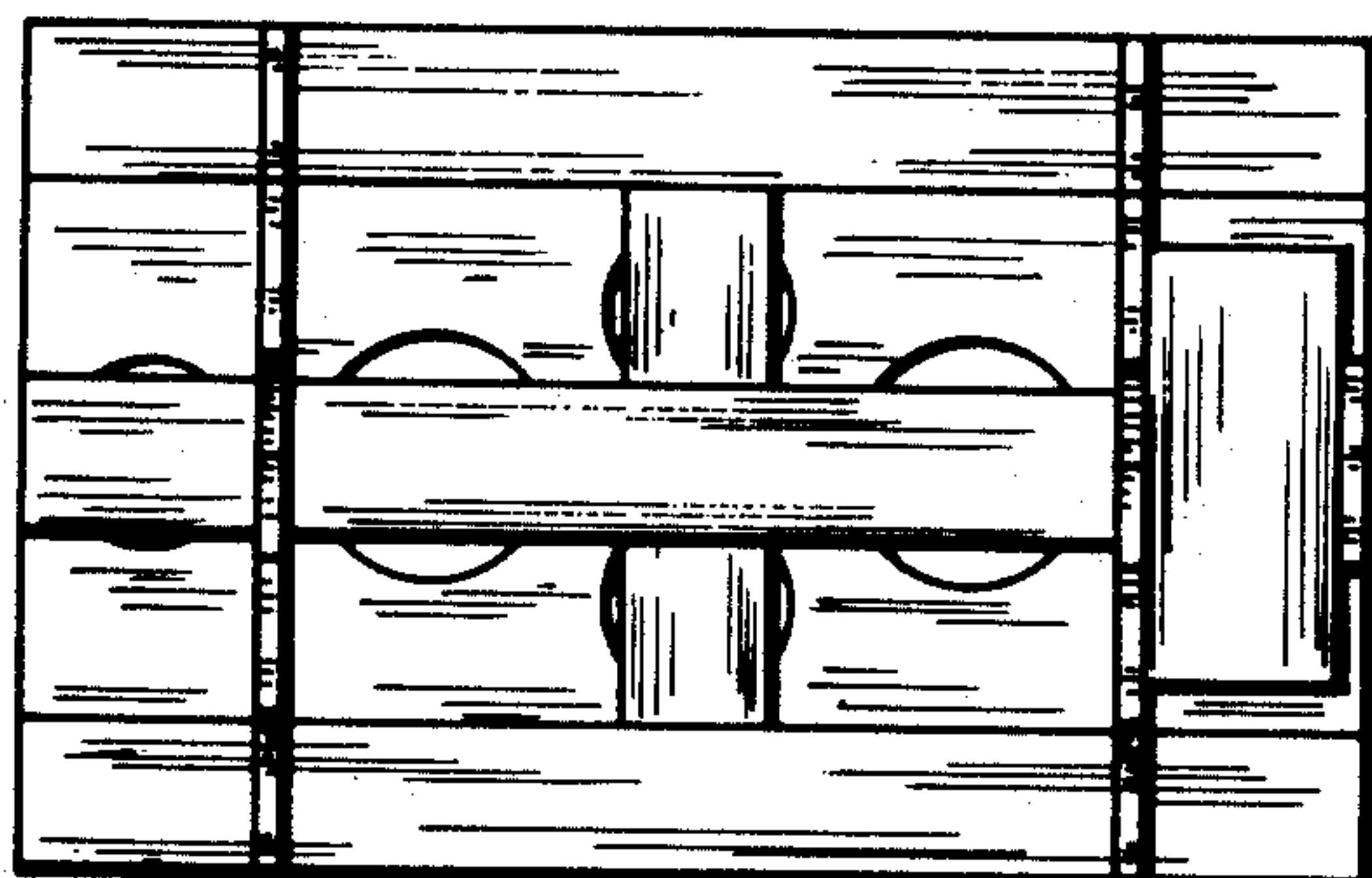
**FIG. 2**



**FIG. 3**



**FIG. 4**



**FIG. 5**