

[54] FOOD PROCESSOR TOOL HOLDER

[75] Inventors: Paul R. Hoffman, Toronto; Hans K. Wallenwein, Thornhill, both of Canada

[73] Assignee: Plasti-Fab Co. Ltd., Markham, Canada

[**] Term: 14 Years

[21] Appl. No.: 857,741

[22] Filed: Dec. 5, 1977

[30] Foreign Application Priority Data

Jun. 10, 1977 [CA] Canada 100677

[51] Int. Cl. D6-04; D7-06

[52] U.S. Cl. D6/130; D6/157; D6/188; D7/74

[58] Field of Search D6/114, 125, 129, 130, D6/132, 134, 136, 85, 157, 188; D7/73, 74; 211/87, 90, 60 R, 13; 248/37.3, 37.6, 309 R, 310, 311.1, 312, 315; 206/372, 373

[56] References Cited

U.S. PATENT DOCUMENTS

D. 248,140	6/1978	Comfort et al.	D6/185
1,914,276	6/1933	Moore	206/373
2,245,892	6/1941	Anshicks et al.	206/373
3,870,148	3/1975	Hite	206/372

OTHER PUBLICATIONS

Discovery House Cat., winter 1976, p. 11, Storage Rack #156.

Primary Examiner—Wallace R. Burke

Assistant Examiner—B. J. Bullock

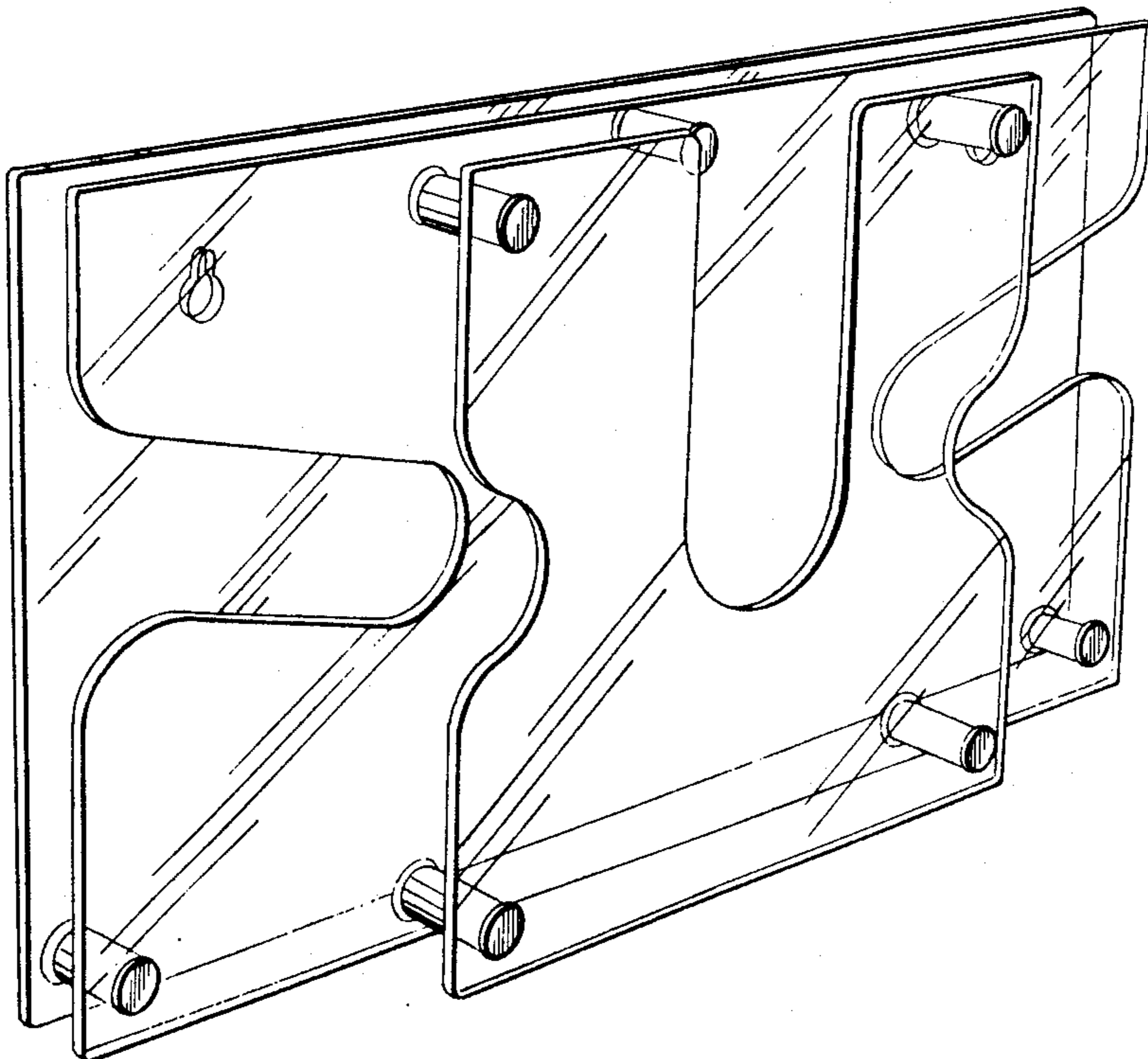
Attorney, Agent, or Firm—W. L. Hayhurst

[57] CLAIM

The ornamental design for a food processor tool holder, as shown.

DESCRIPTION

FIG. 1 is a front perspective view of a food processor tool holder showing our new design; FIG. 2 is a rear perspective view thereof; and FIG. 3 is a top view thereof.



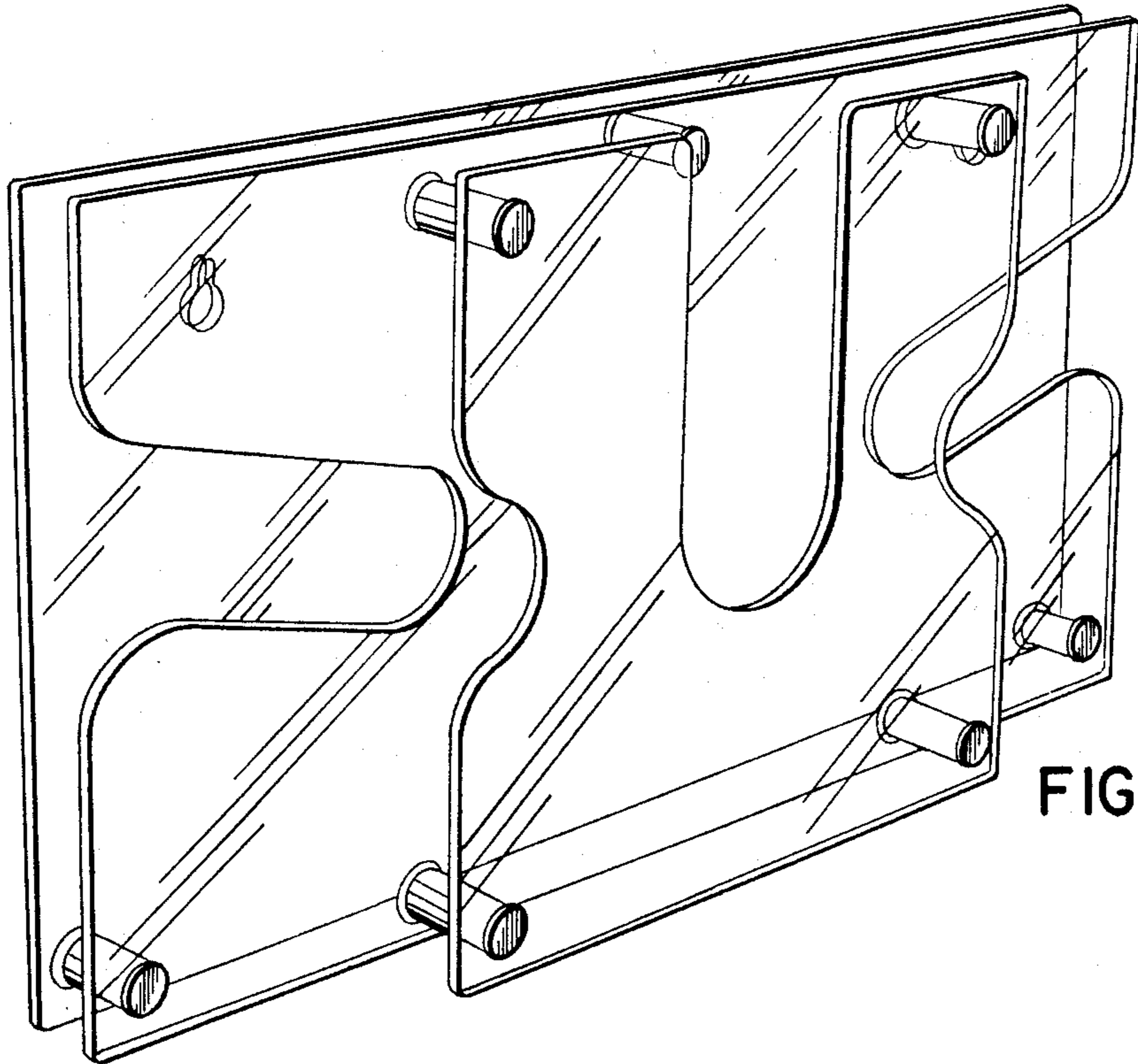


FIG. 1

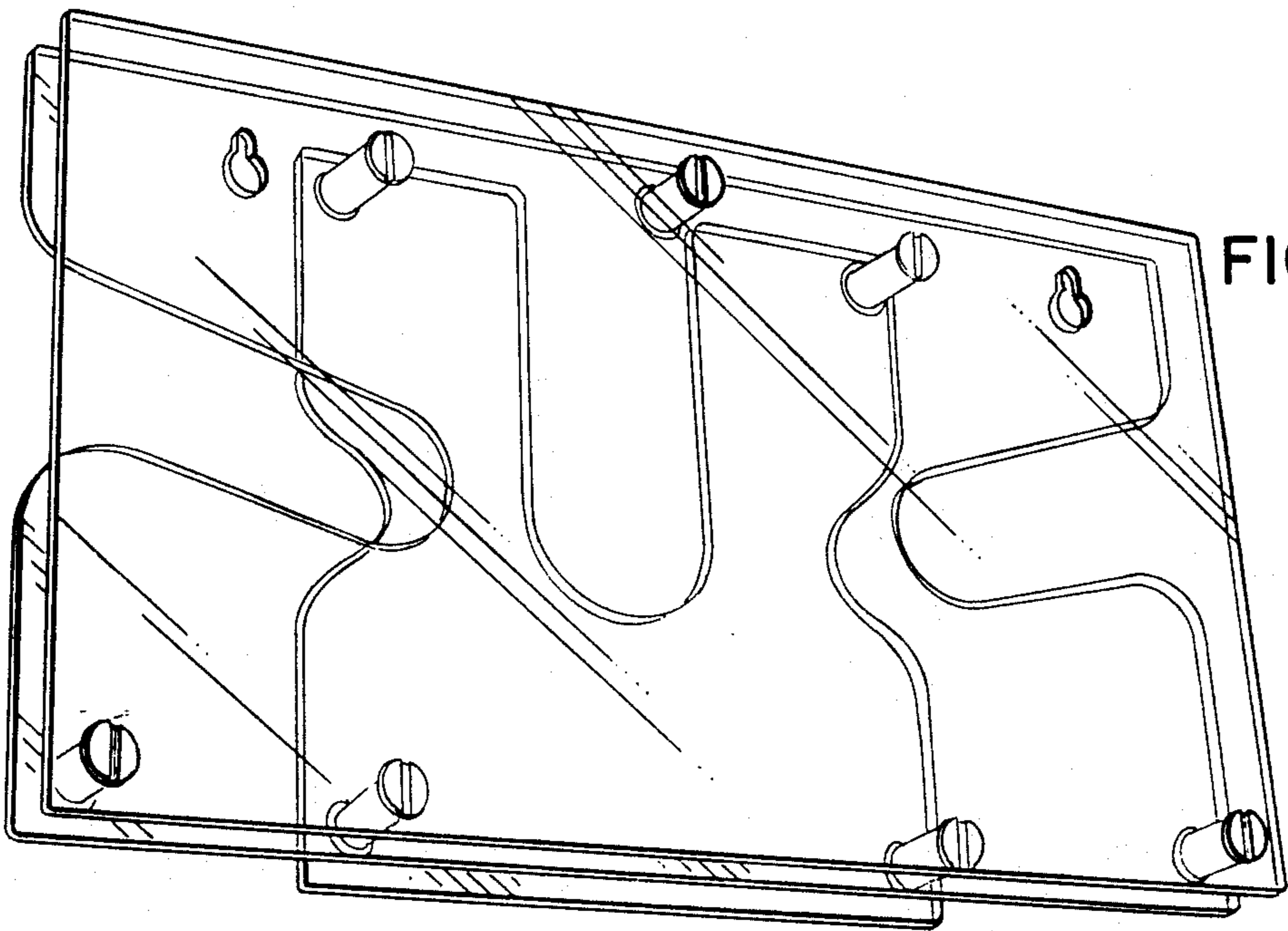


FIG. 2

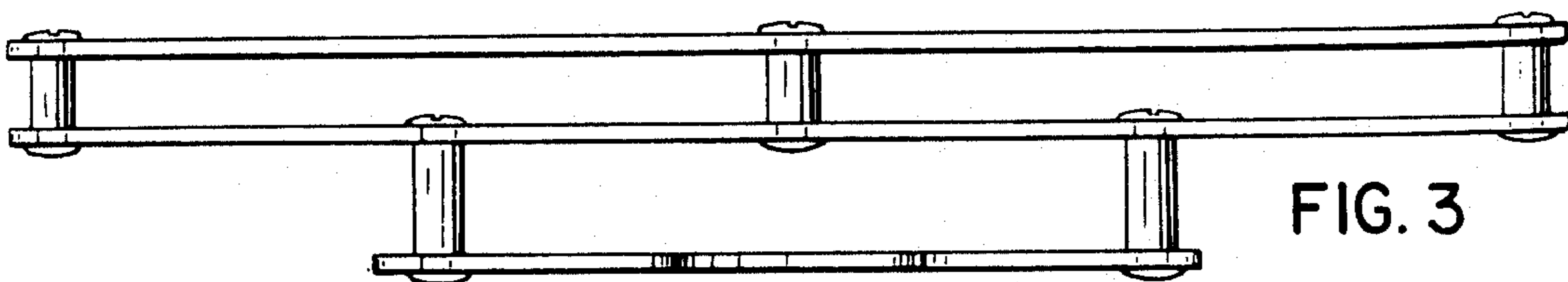


FIG. 3