

[54] INVERTIBLE TABLE

[75] Inventor: Erwin J. Grauert, Yonkers, N.Y.

[73] Assignee: Grauert Enterprises, Inc.

[**] Term: 14 Years

[21] Appl. No.: 822,783

[22] Filed: Aug. 8, 1977

[51] Int. Cl. D6-03

[52] U.S. Cl. D6/3; D6/177

[58] Field of Search D6/3, 27, 46, 146, 149, D6/176, 177, 178, 179; 108/91, 90, 117, 119, 11, 12, 18, 19

[56] References Cited

U.S. PATENT DOCUMENTS

D. 143,599 1/1946 Karp D6/189
D. 166,463 4/1952 Goulart D6/46

D. 166,830 5/1952 Shinn D6/3
D. 218,420 8/1970 Weidner D6/3
D. 221,238 7/1971 Gianfagna D6/177

Primary Examiner—Bruce W. Dunkins
Attorney, Agent, or Firm—George Gottlieb

[57] CLAIM

The ornamental design for an invertible table, as shown and described.

DESCRIPTION

FIG. 1 is a top plan view of an invertible table showing my design;
FIG. 2 is a side view thereof;
FIG. 3 is an end elevational view thereof;
FIG. 4 is an elevational view of the other end thereof;
FIG. 5 is a bottom plan view thereof;
FIG. 6 is a perspective view thereof; and
FIG. 7 is a perspective view of the table shown in an alternate position.

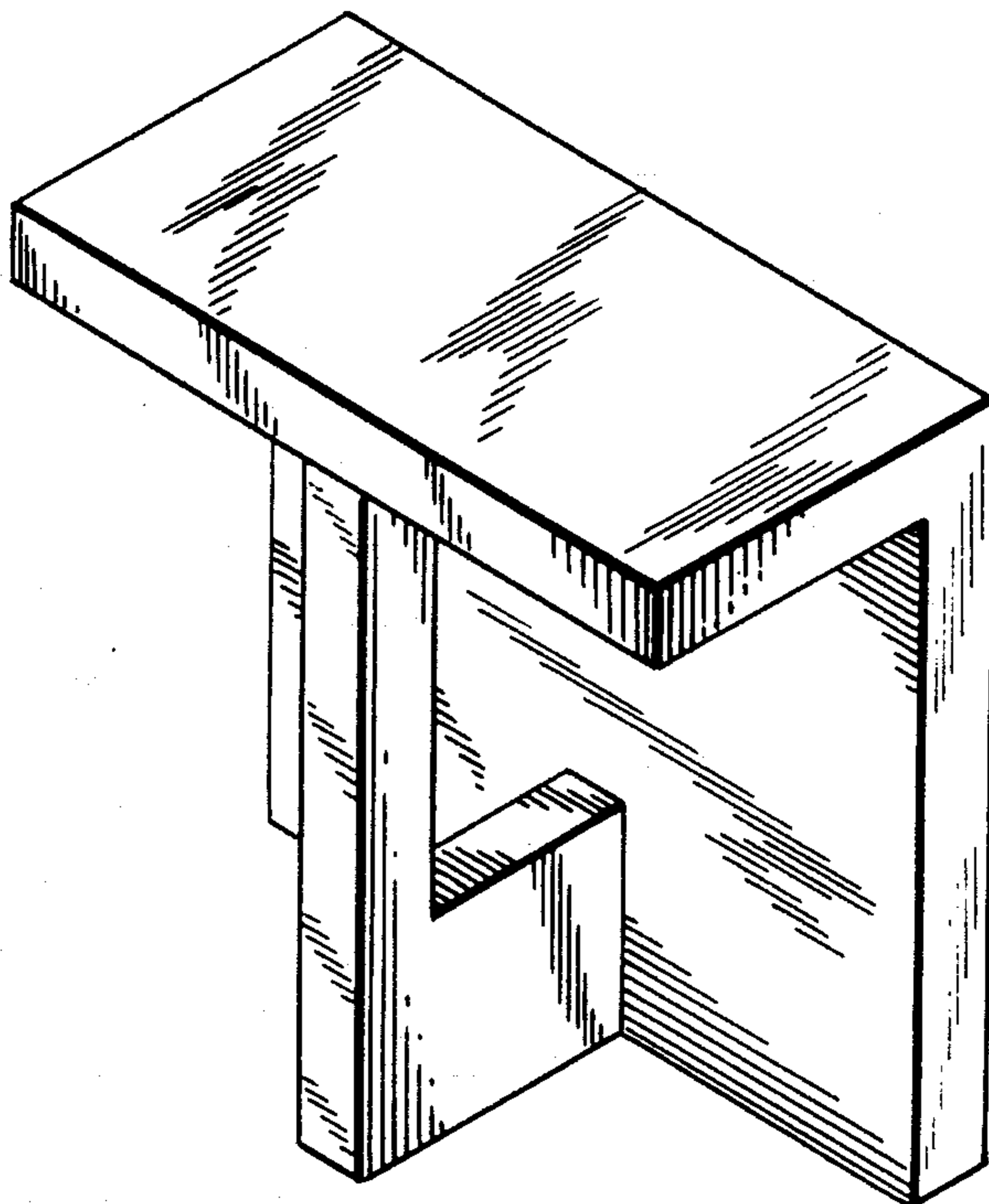


FIG. 1

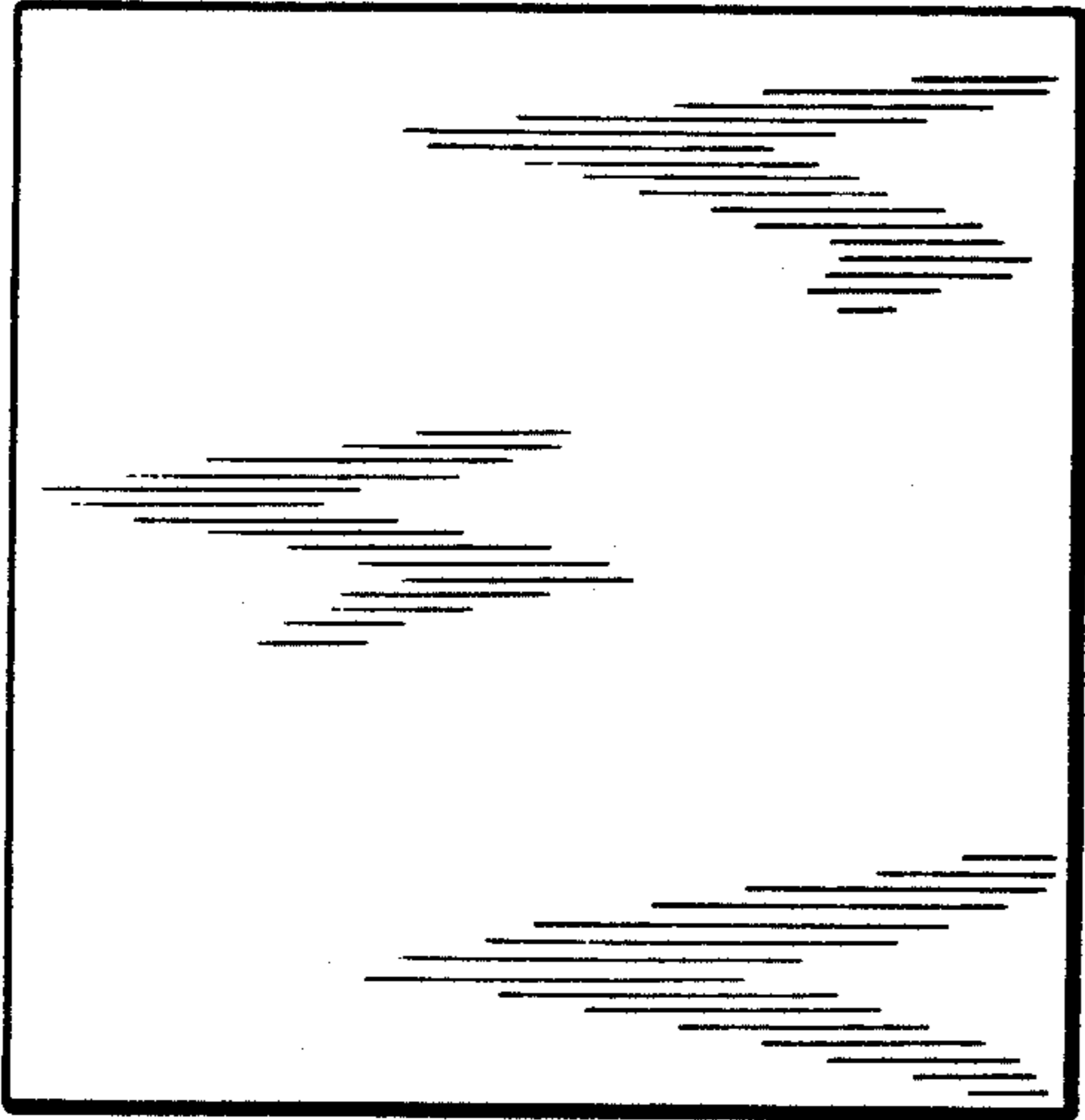


FIG. 4

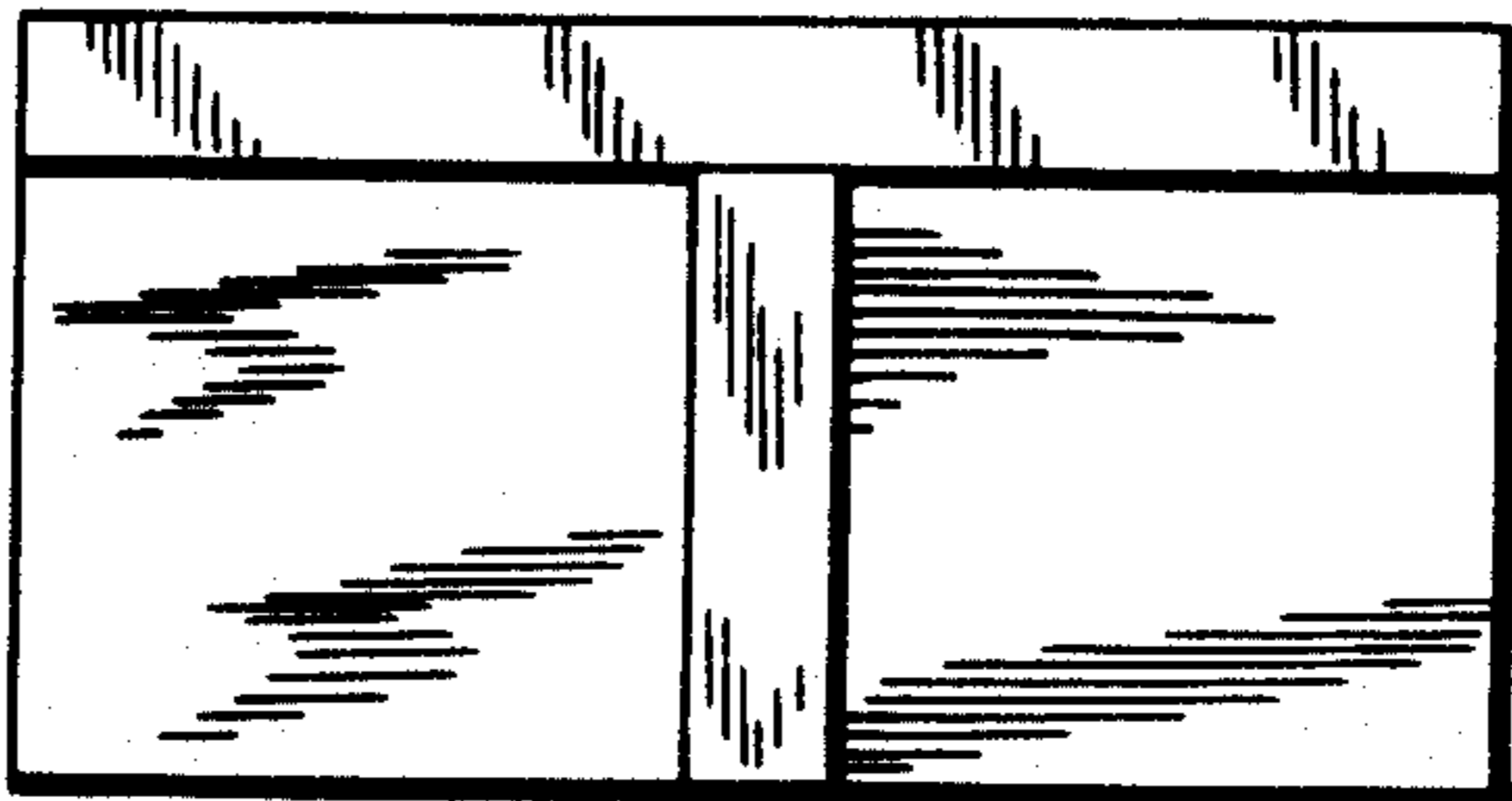


FIG. 2

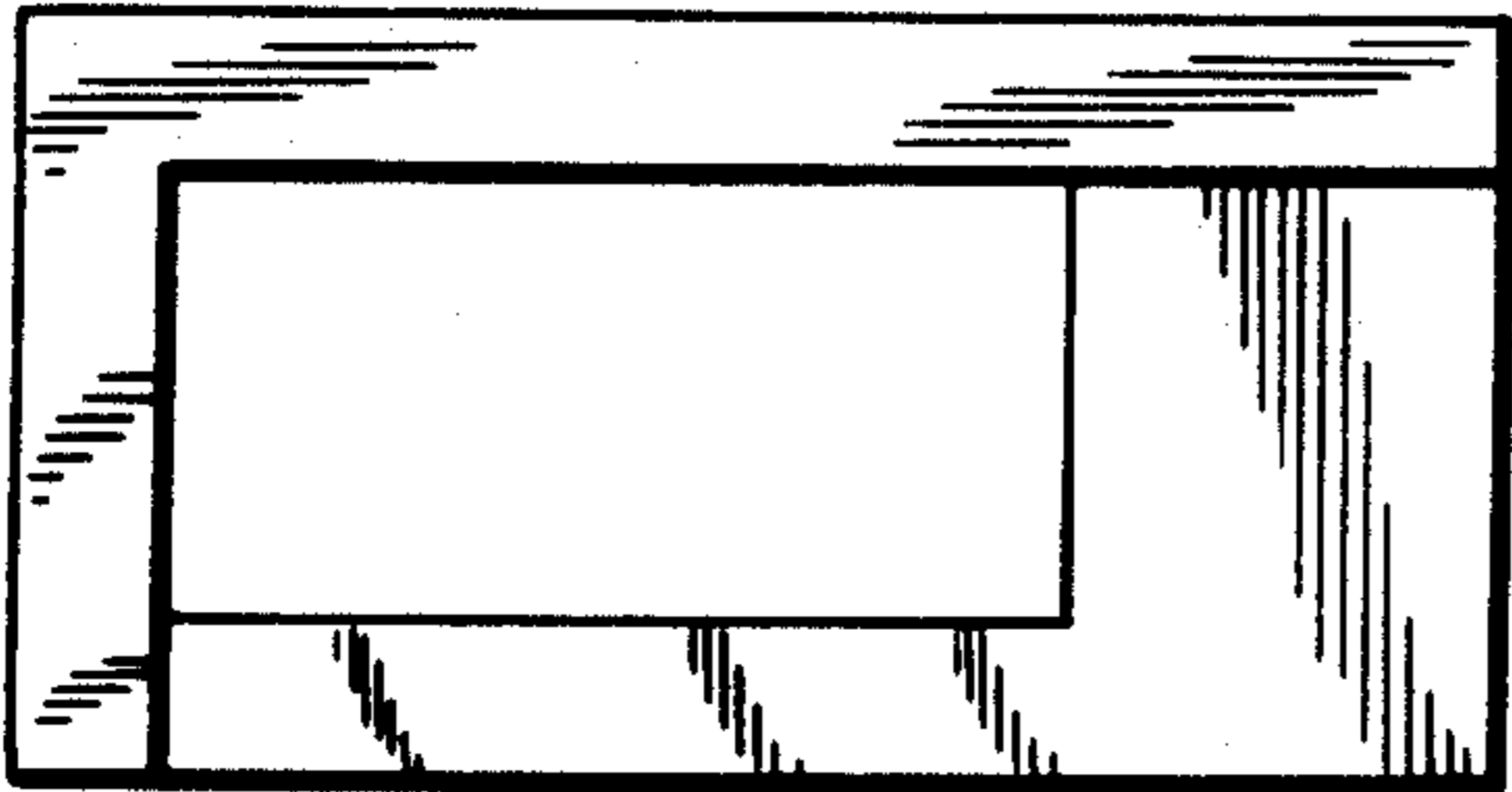


FIG. 5

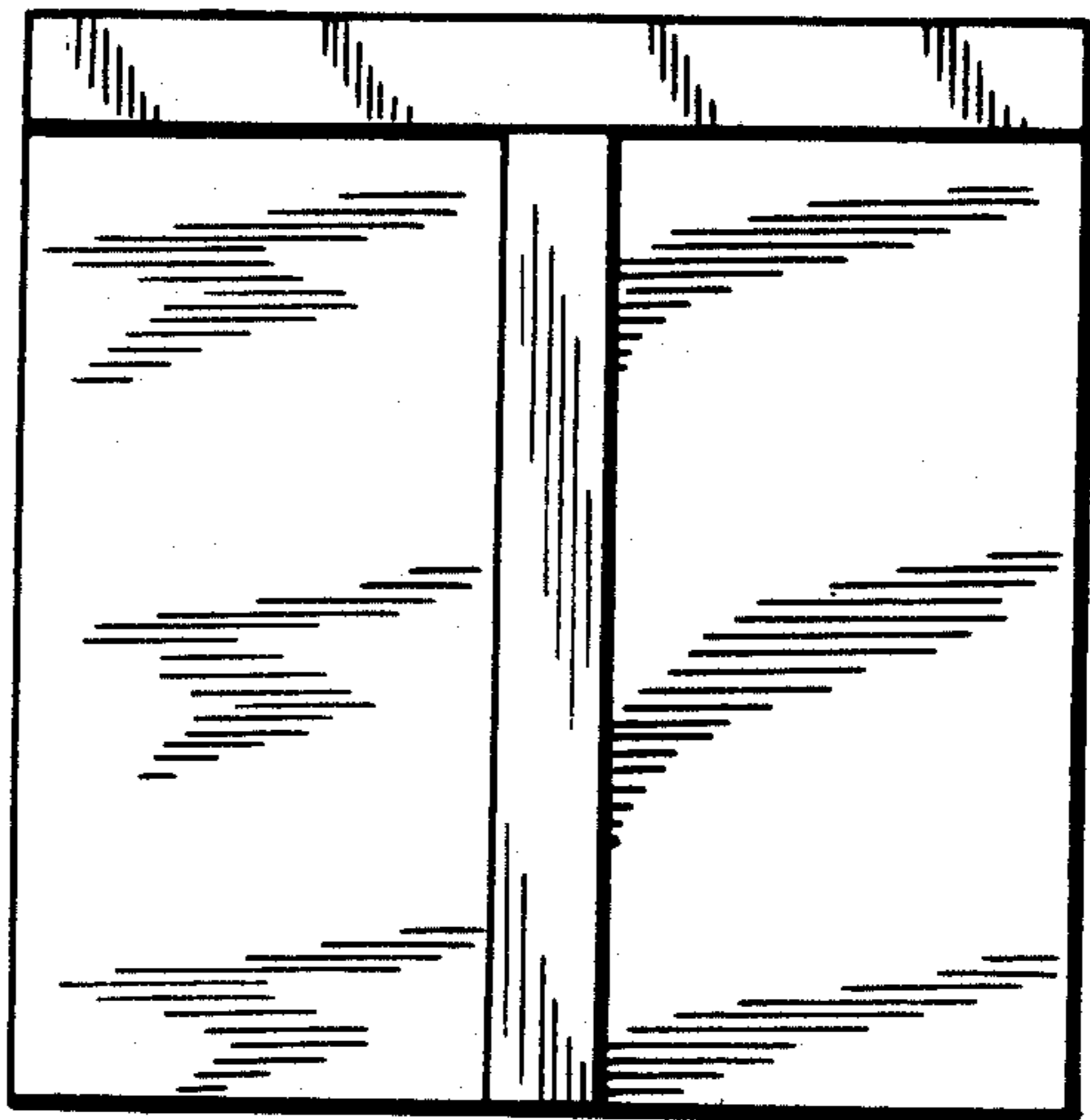


FIG. 3

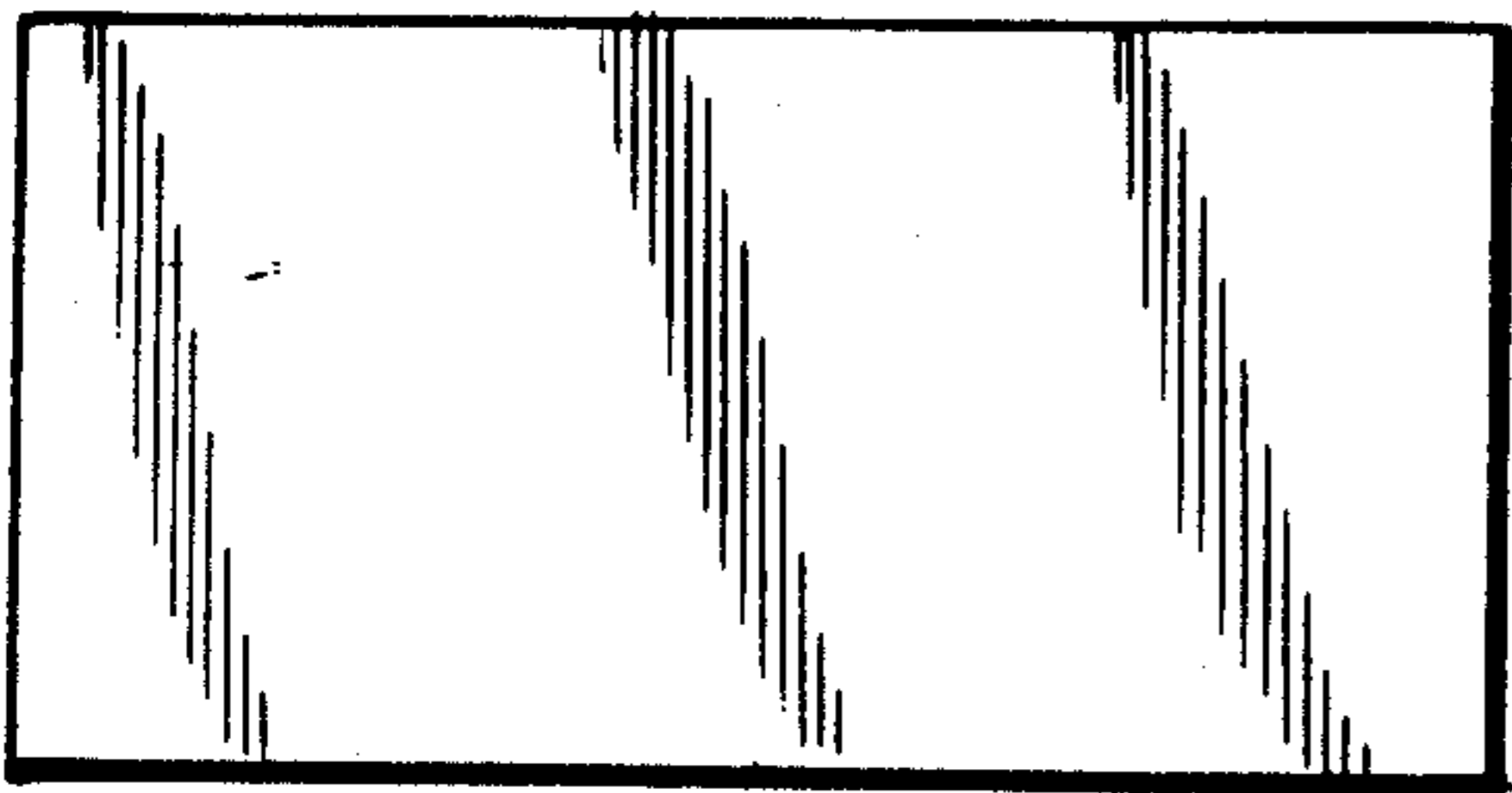


FIG. 6

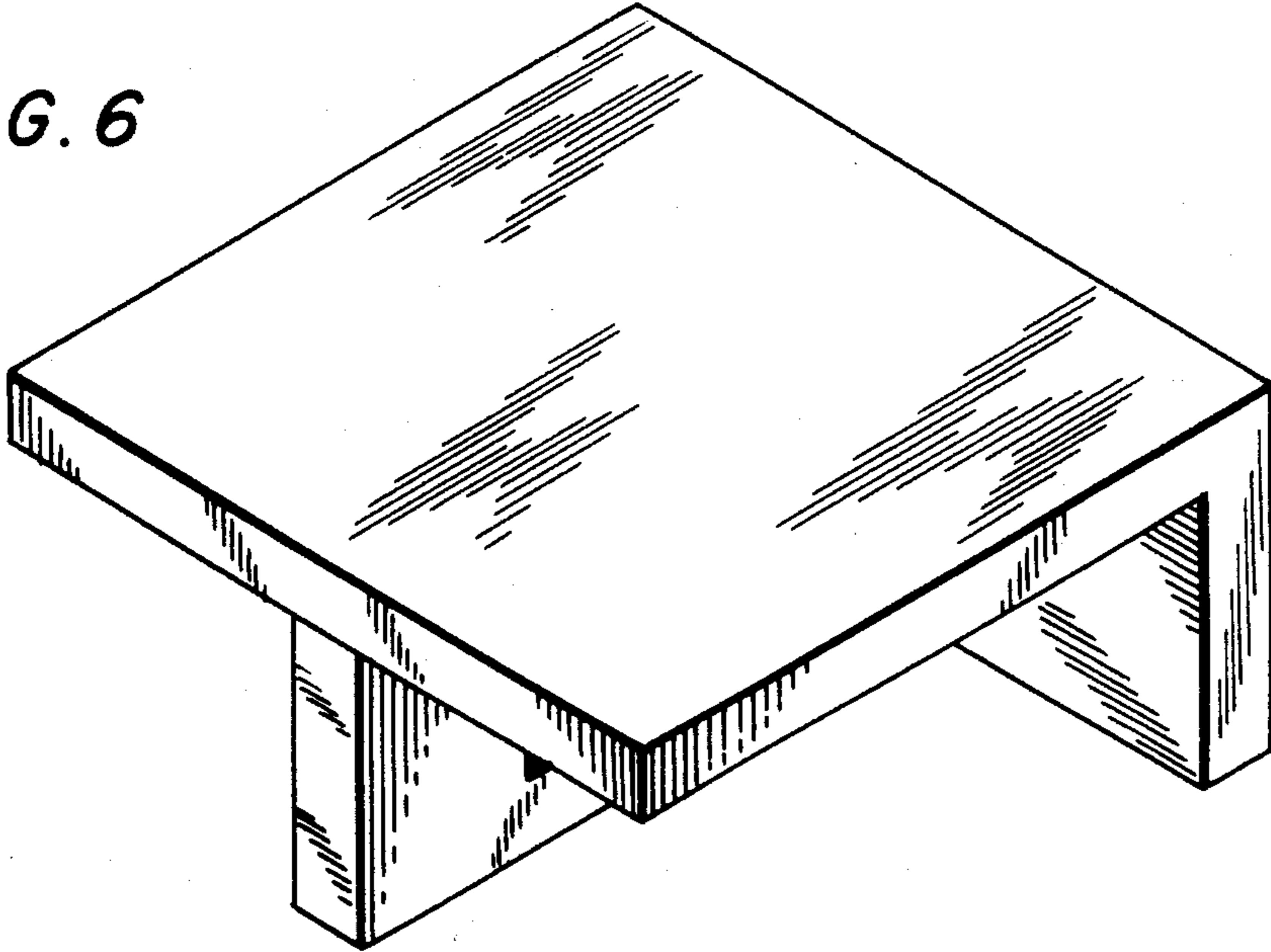


FIG. 7

