

[54] **COMBINED SHOWER STALL AND HYDROTHERAPY BATHTUB**

[75] Inventors: **Roy A. Jacuzzi, Moraga; Ralph D'Innocente, Pleasant Hill, both of Calif.**

[73] Assignee: **Jacuzzi Whirlpool Bath, Inc., Walnut Creek, Calif.**

[\*\*] Term: **14 Years**

[21] Appl. No.: **858,467**

[22] Filed: **Dec. 7, 1977**

[51] Int. Cl. .... **D23-02**

[52] U.S. Cl. .... **D23/49**

[58] Field of Search .... **D23/48-71; 4/2-7, 145, 146, 148**

[56] **References Cited**

**U.S. PATENT DOCUMENTS**

- D. 215,289 9/1969 Seymour ..... D23/57
- D. 217,864 6/1970 Myers ..... D23/55

- D. 223,607 5/1972 Lax ..... D23/49
- D. 223,609 5/1972 Lax ..... D23/57
- D. 225,995 1/1973 Alexander ..... D23/49
- D. 227,102 6/1973 Alexander ..... D23/57
- D. 228,067 8/1973 Humphries, Jr. .... D23/49
- D. 243,849 3/1977 Seymour et al. .... D23/49

*Primary Examiner—James R. Largen  
Attorney, Agent, or Firm—Paul D. Flehr*

[57] **CLAIM**

The ornamental design for a combined shower stall and hydrotherapy bathtub, as shown.

**DESCRIPTION**

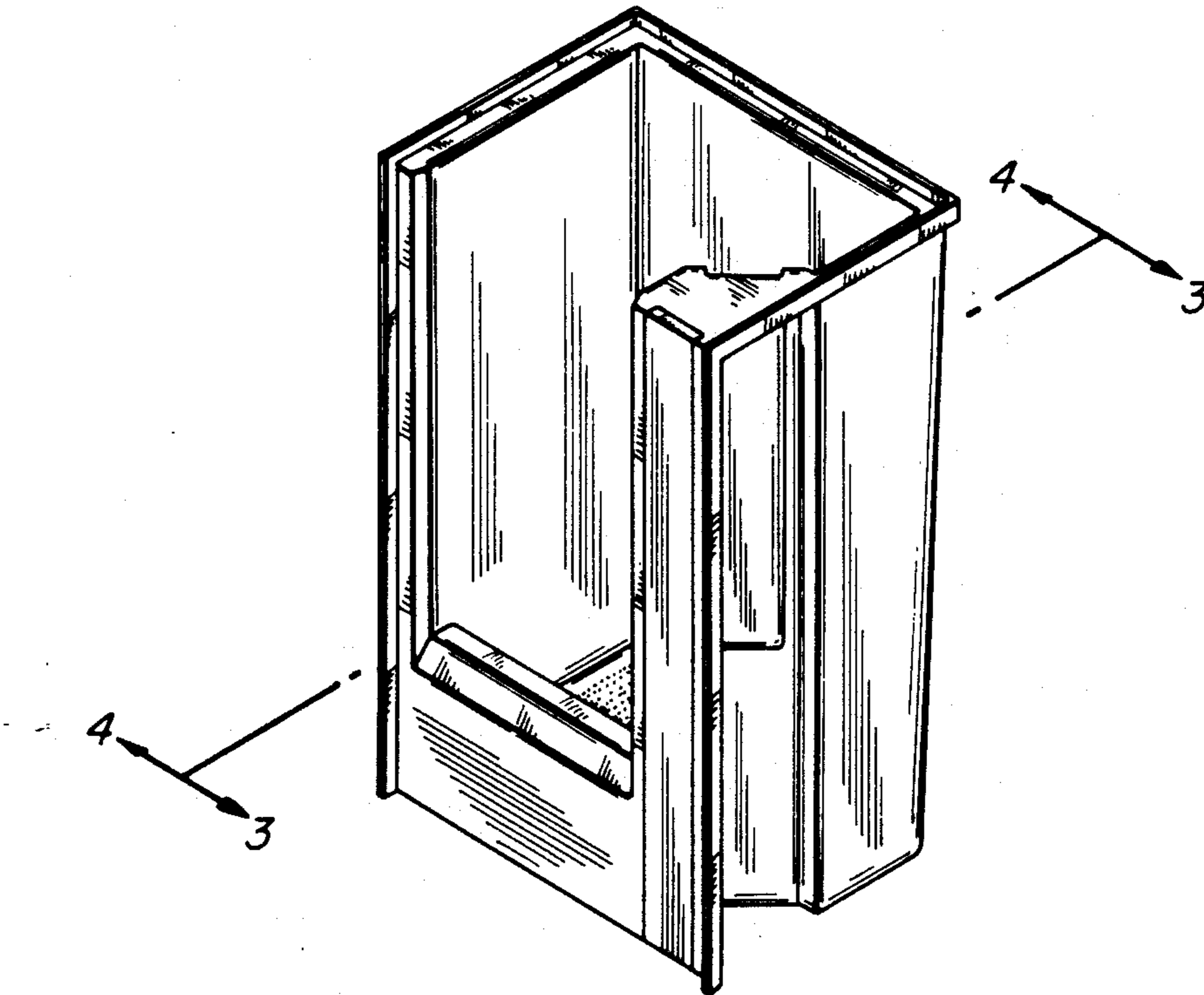
FIG. 1 is a plan isometric view of the combined shower stall and hydrotherapy bathtub showing our new design.

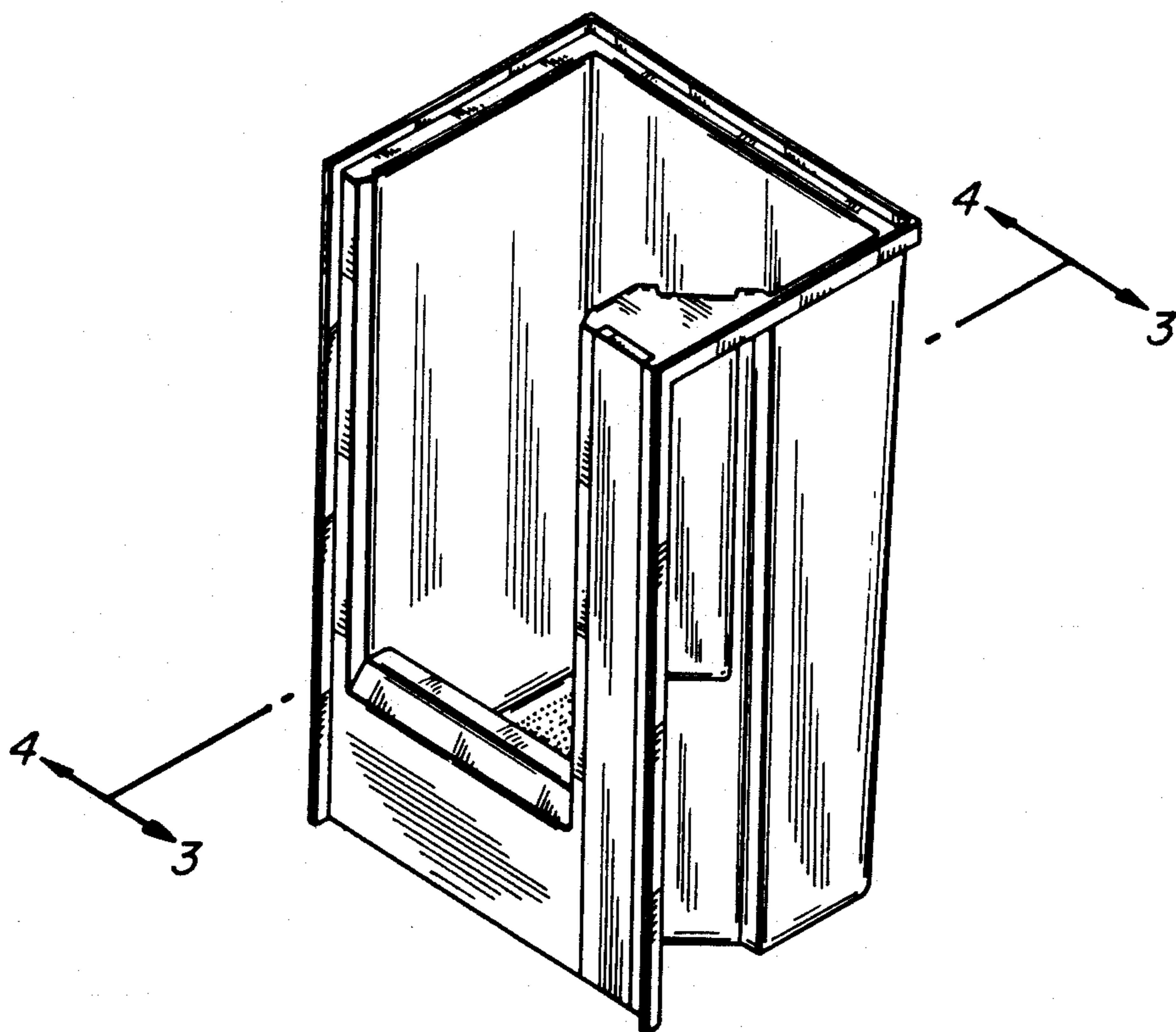
FIG. 2 is a top plan view of the combined shower stall and hydrotherapy bathtub shown in FIG. 1.

FIG. 3 is a cross-sectional view thereof taken along the line 3-3 of FIG. 1.

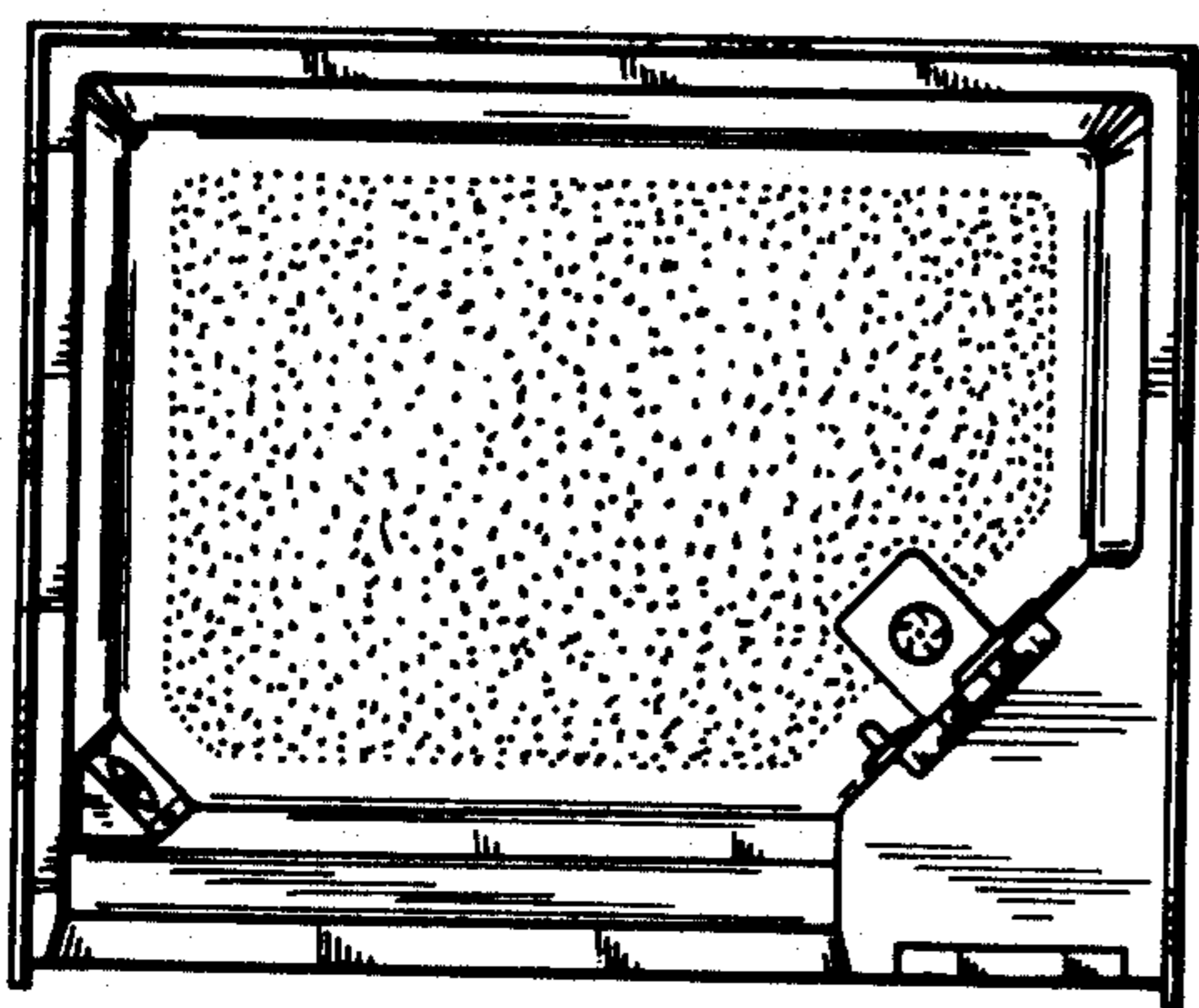
FIG. 4 is a cross-sectional view thereof taken along the line 4-4 of FIG. 1.

FIG. 5 is a front elevational view thereof.

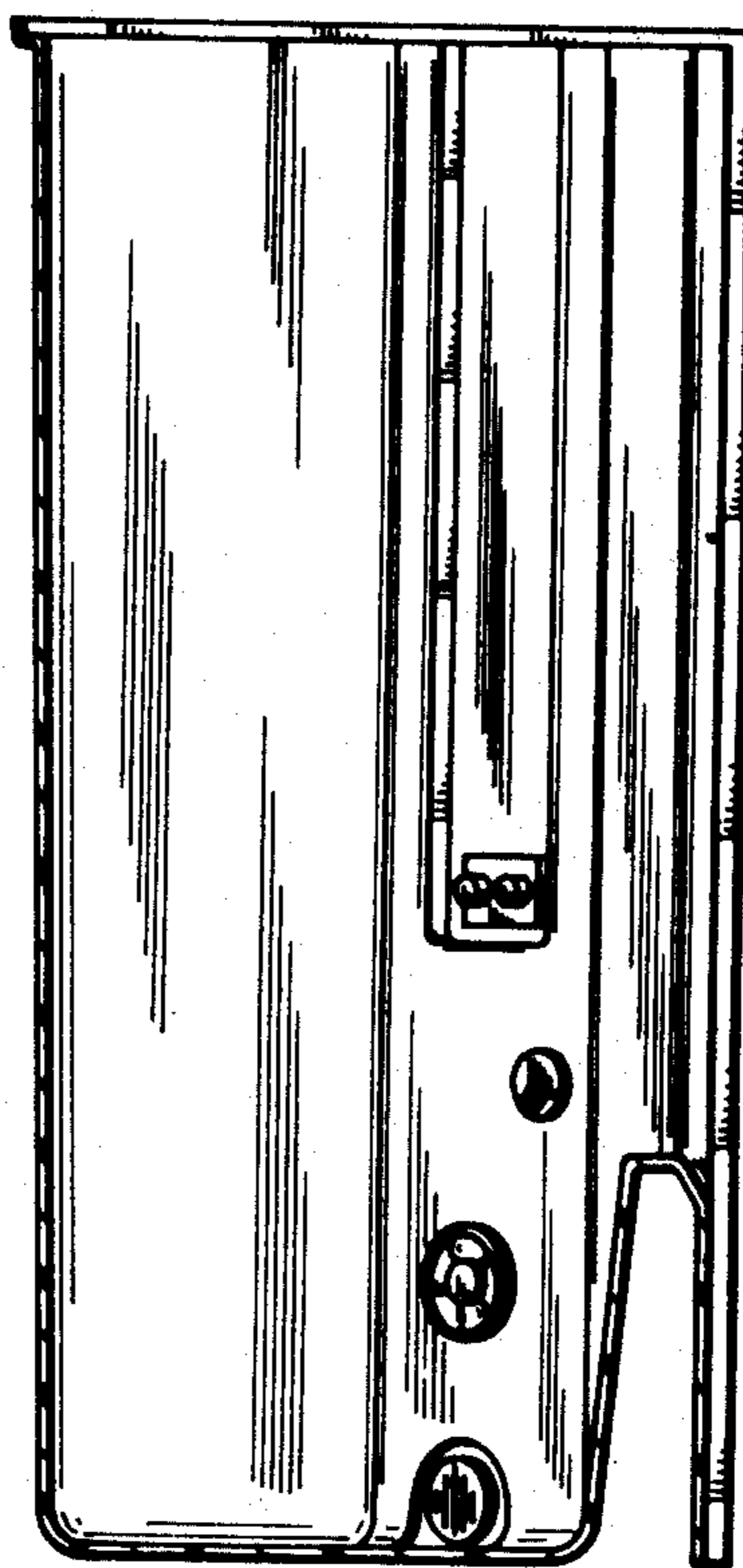




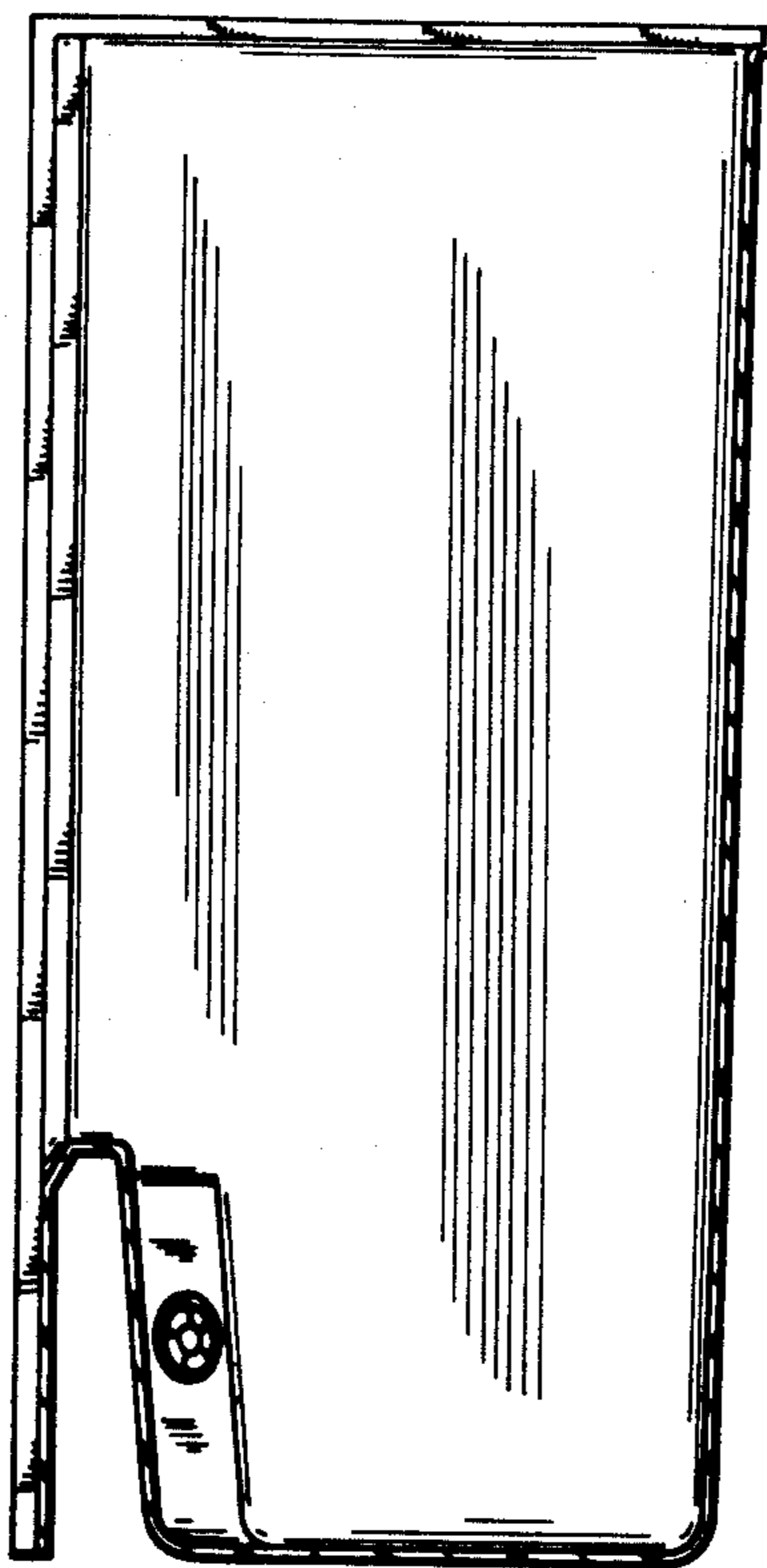
FIG\_1



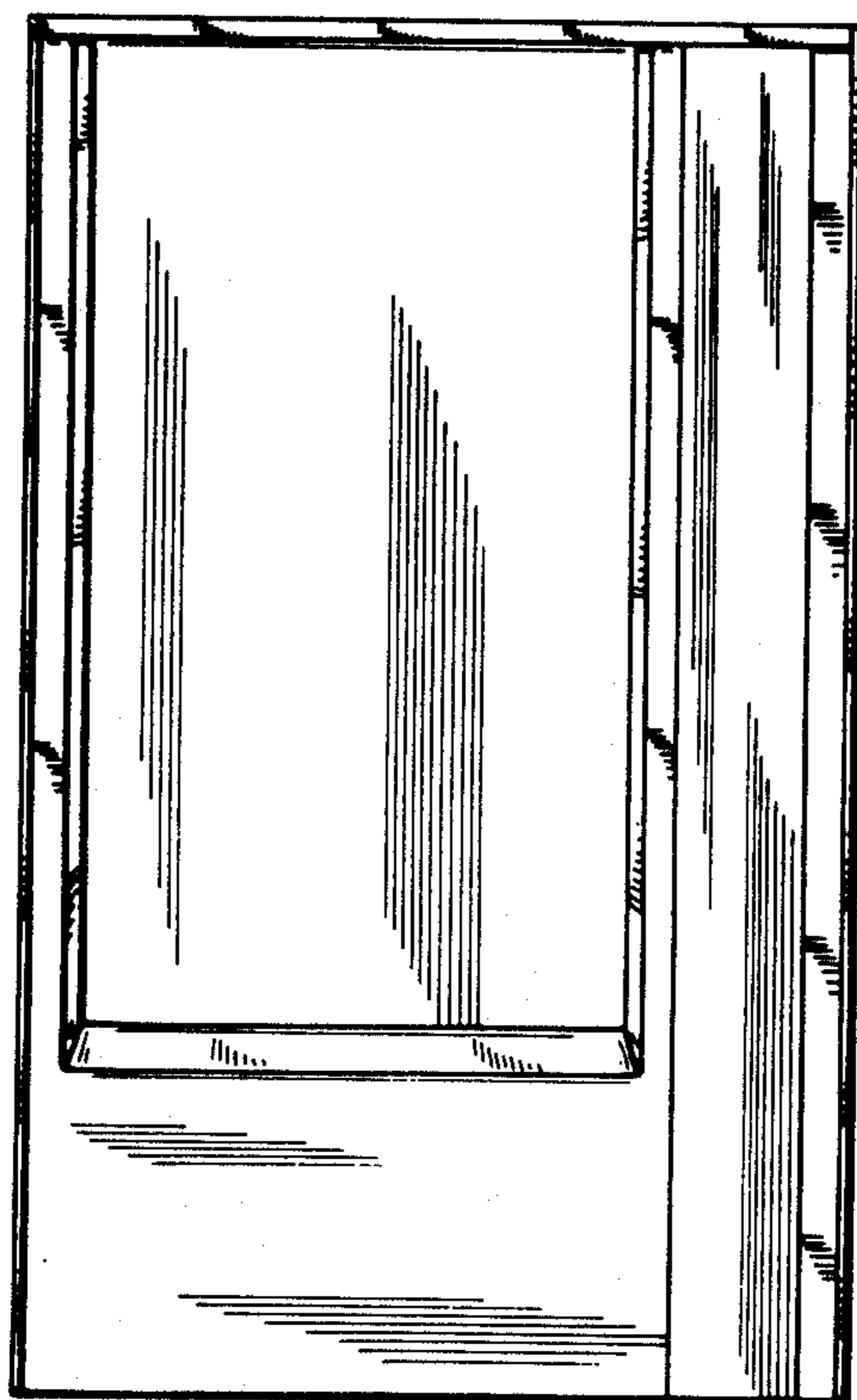
FIG\_2



FIG\_3



FIG\_4



FIG\_5