

[54] PANTOGRAPH PACKAGE  
[75] Inventors: Sam Kupperman, Chicago; Dennis Kupperman, Glenview, both of Ill.

D. 233,596 11/1974 Davis et al. .... D9/193  
2,782,505 2/1957 Guischard ..... 33/25 R  
3,160,956 12/1964 Mercorelli ..... 33/25 B  
3,232,420 2/1966 Haenle, Jr. .... 206/575

[73] Assignee: RB Toy Development Company, Skokie, Ill.

Primary Examiner—Joel Stearman  
Assistant Examiner—George P. Word  
Attorney, Agent, or Firm—Vogel, Dithmar, Stotland, Stratman & Levy

[\*\*] Term: 14 Years

[21] Appl. No.: 790,747

[57] CLAIM

[22] Filed: Apr. 25, 1977

The ornamental design for a pantograph package, as shown.

[51] Int. Cl. .... D9—99

[52] U.S. Cl. .... D9/193; D19/35

[58] Field of Search ..... D10/63, 61; D19/35;  
33/23 R, 25 R, 25 B, 25 C, 23 H; D9/193;  
206/820, 233, 575—579

DESCRIPTION

FIG. 1 is a front elevational view of a pantograph package showing our new design;

FIG. 2 is a left side elevational view thereof;

FIG. 3 is a right side elevational view thereof;

FIG. 4 is a bottom plan view thereof;

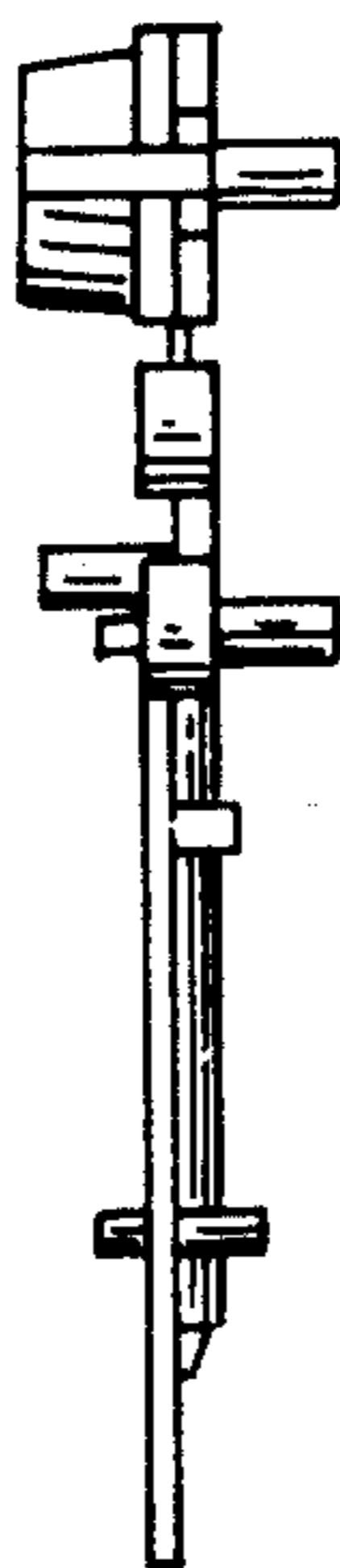
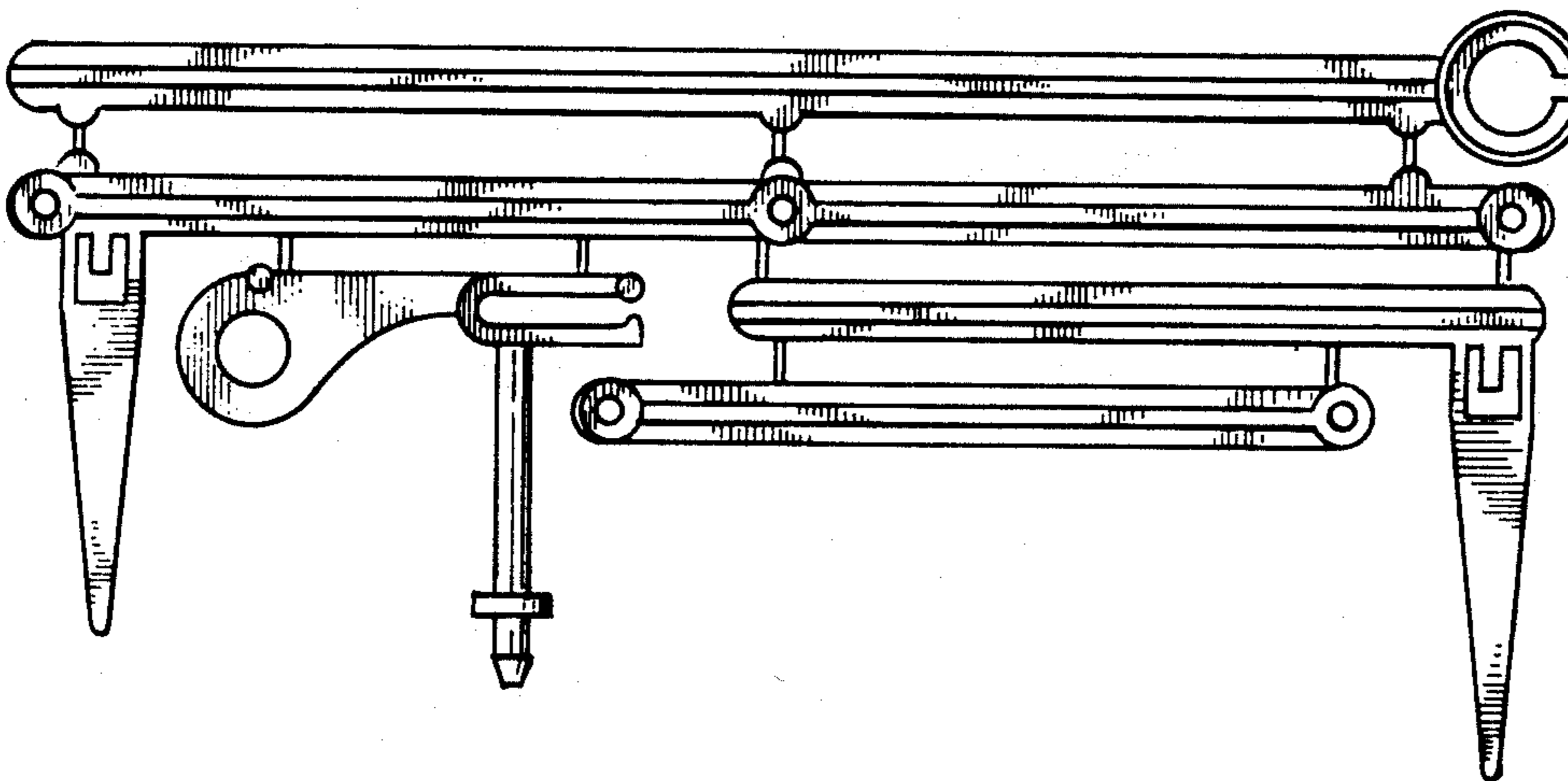
FIG. 5 is a top plan view thereof; and

FIG. 6 is an inverted rear elevational view thereof.

[56] References Cited

U.S. PATENT DOCUMENTS

D. 194,758 3/1963 Mercorelli ..... D10/63



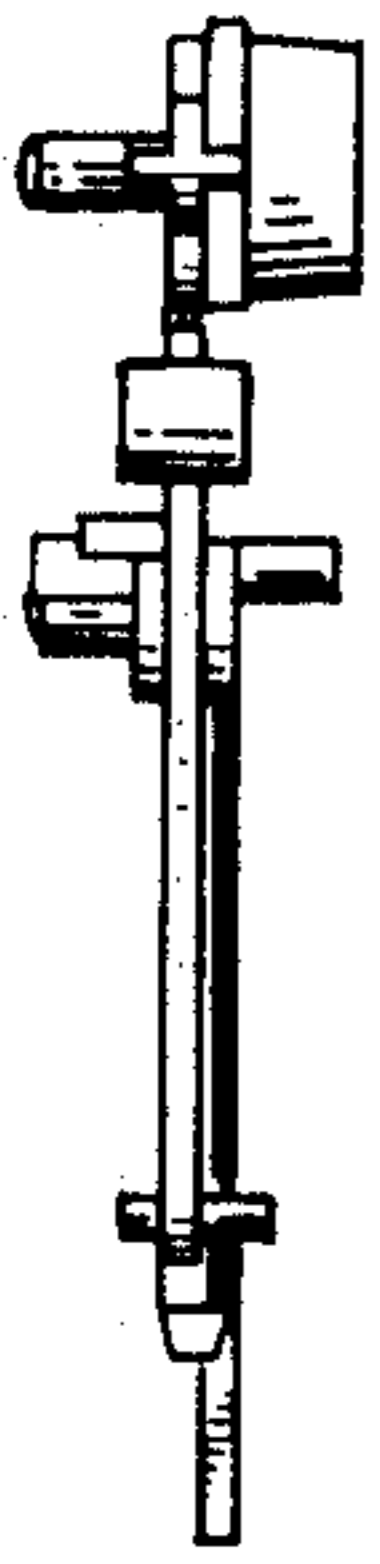


FIG. 2

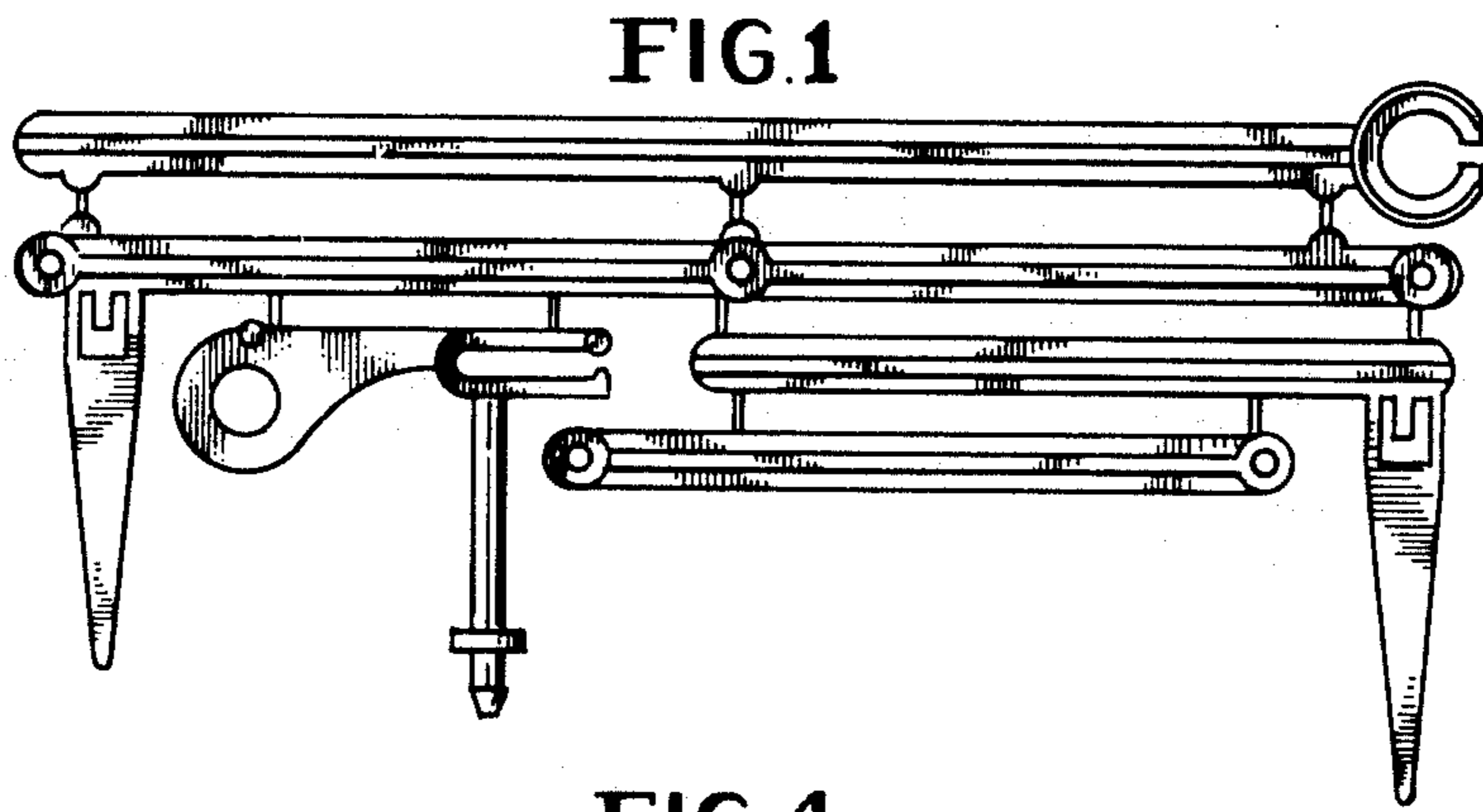


FIG. 1

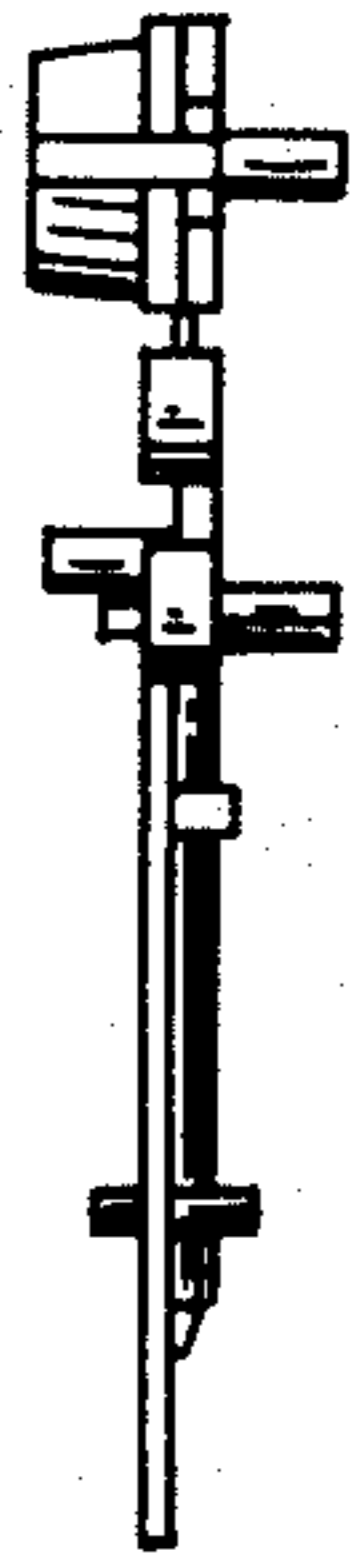


FIG. 3

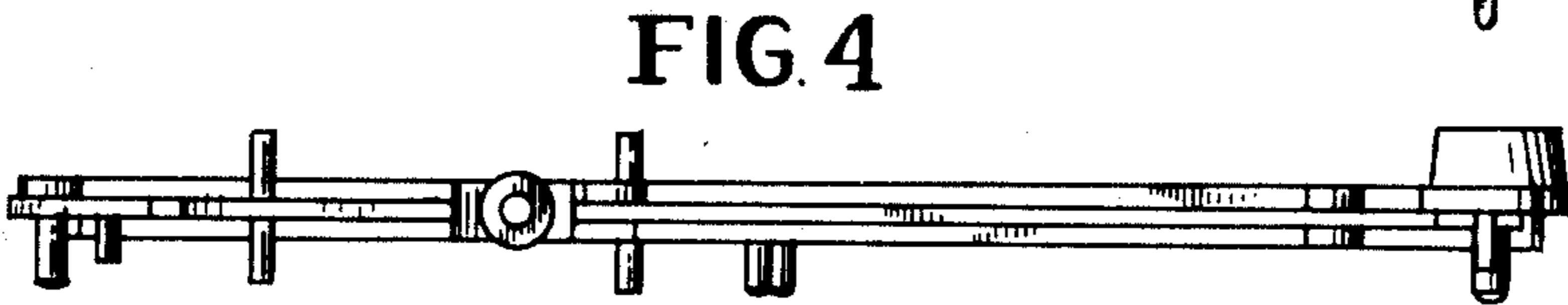


FIG. 4

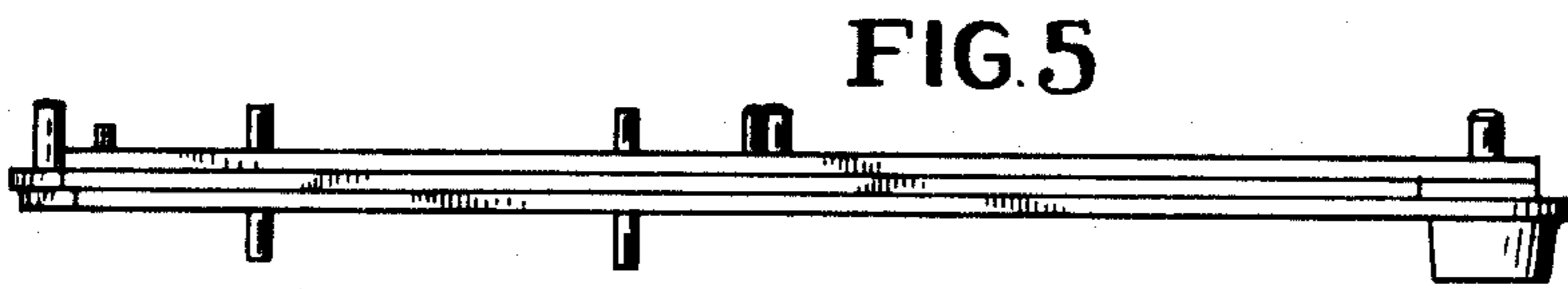


FIG. 5

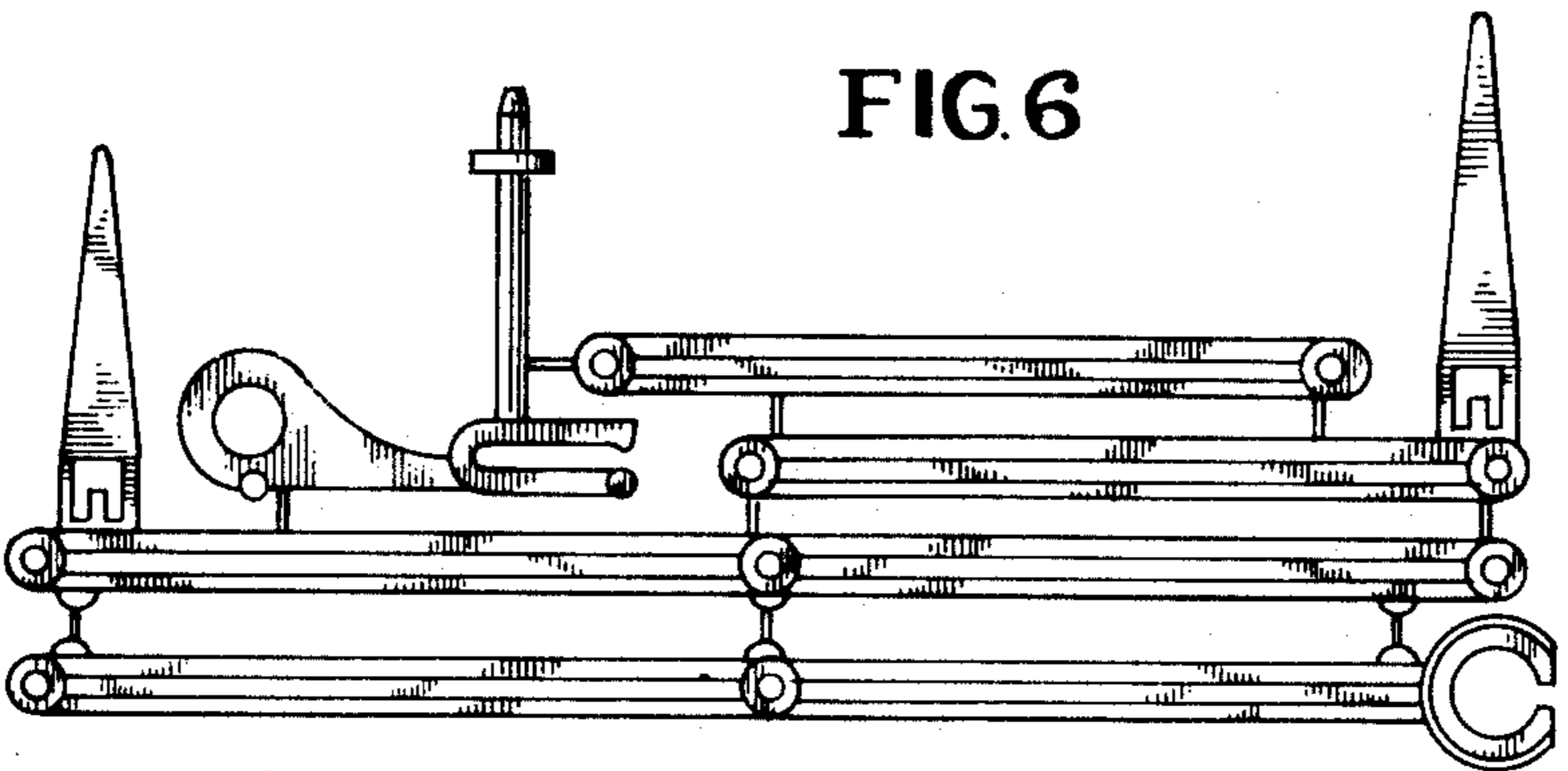


FIG. 6