

[54] DISPENSING CARTON

[75] Inventor: David K. Traugott, Diamond Bar,  
Calif.

[73] Assignee: Kimberly-Clark Corporation

[\*\*] Term: 14 Years

[21] Appl. No.: 716,294

[22] Filed: Aug. 20, 1976

[51] Int. Cl. .... D9-03

[52] U.S. Cl. .... D9/171

[58] Field of Search ..... D9/171, 224, 222, 237-240;  
229/17 R, 17 G, 22, 6 R, 11, 7 R

[56] References Cited

U.S. PATENT DOCUMENTS

2,022,721 12/1935 Hompe ..... 229/22  
3,623,650 11/1971 Watts ..... 229/22

Primary Examiner—Robert C. Spangler  
Attorney, Agent, or Firm—Daniel J. Hanlon, Jr.

[57] CLAIM

The ornamental design for a dispensing carton, as shown and described.

DESCRIPTION

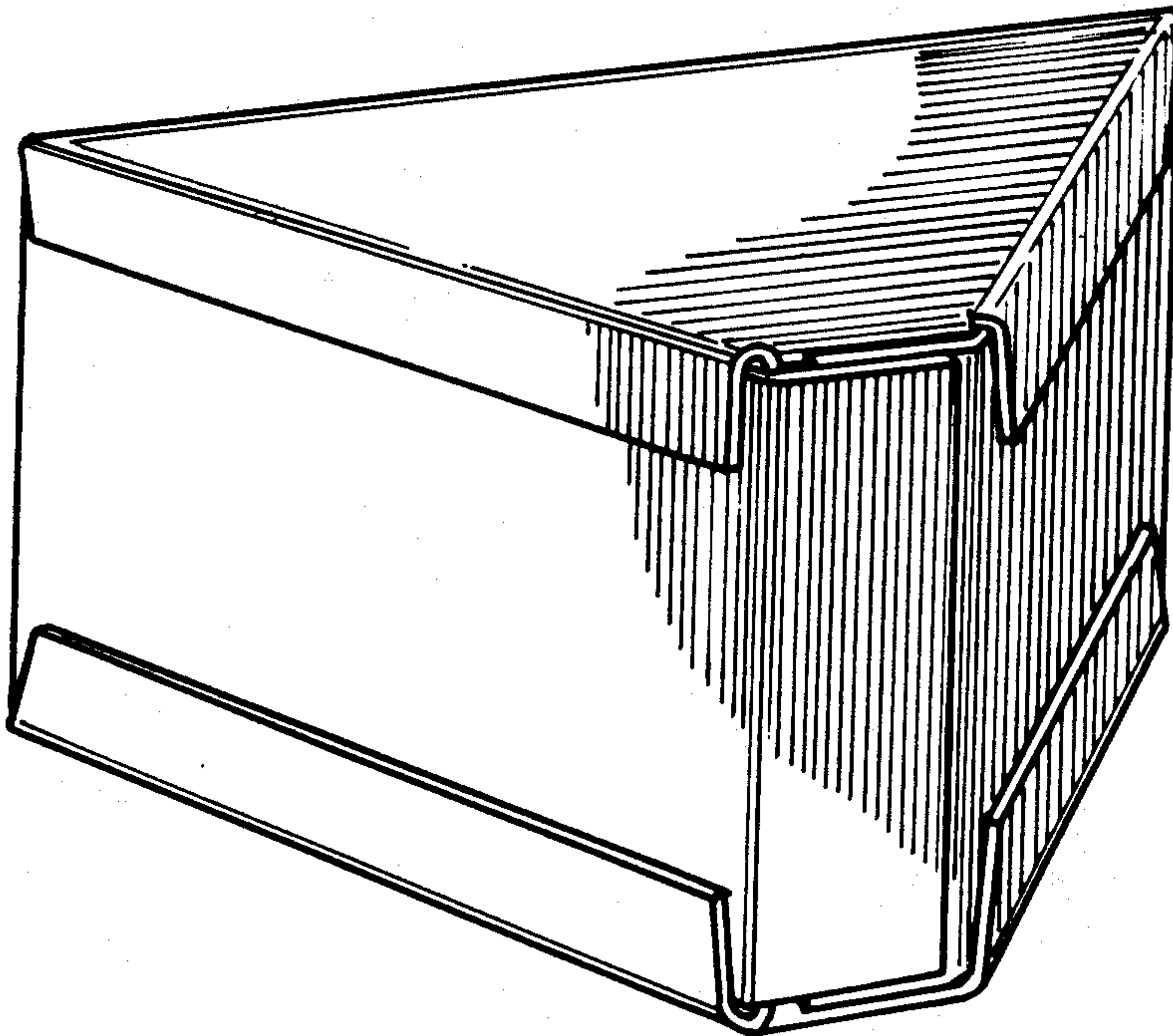
FIG. 1 is a perspective view of a dispensing carton showing my new design;

FIG. 2 is a front view thereof;

FIG. 3 is a top plan view thereof; and

FIG. 4 is a rear perspective view thereof.

The broken lines in FIGS. 1 and 2 represent score lines.



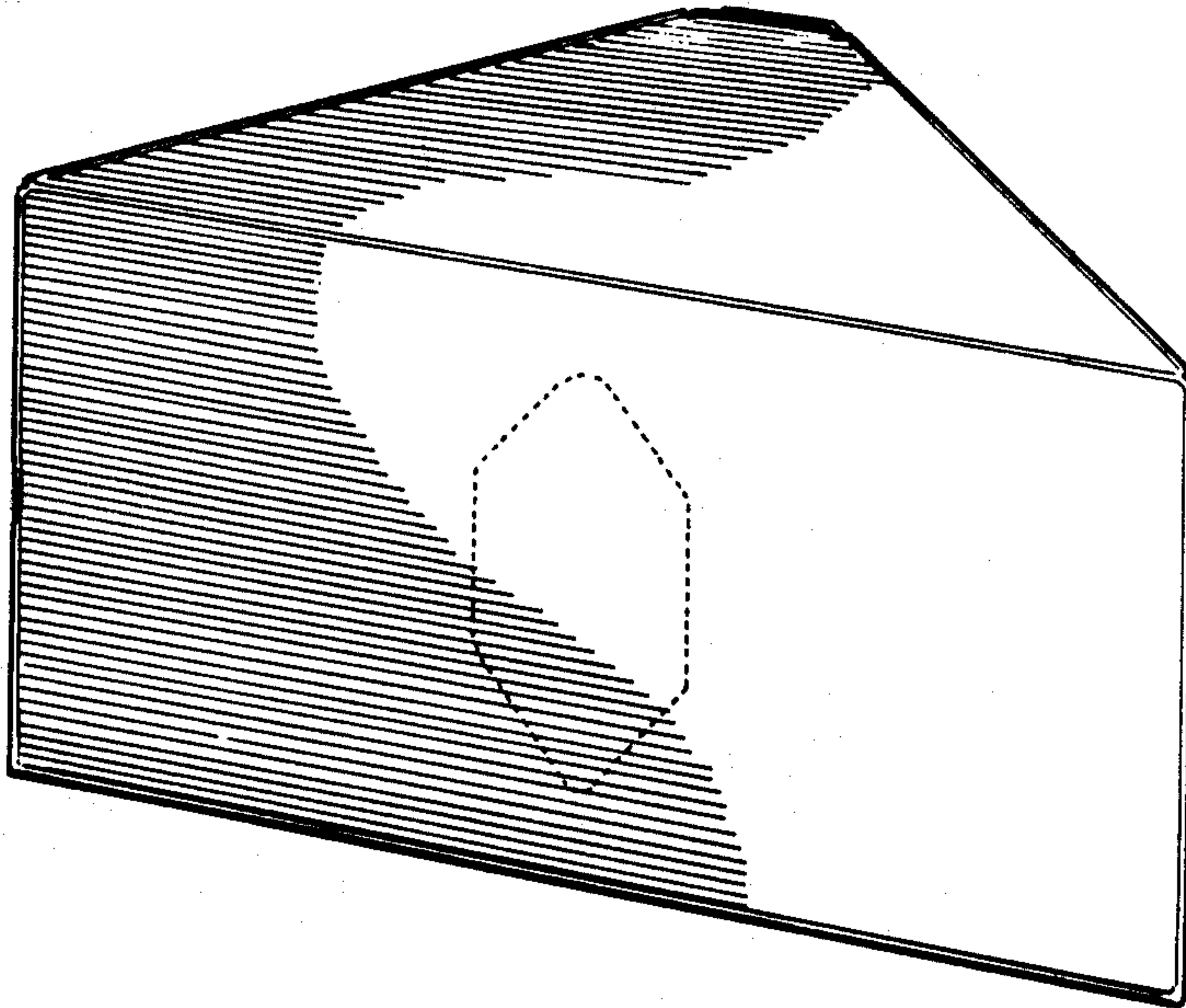


FIG. 1

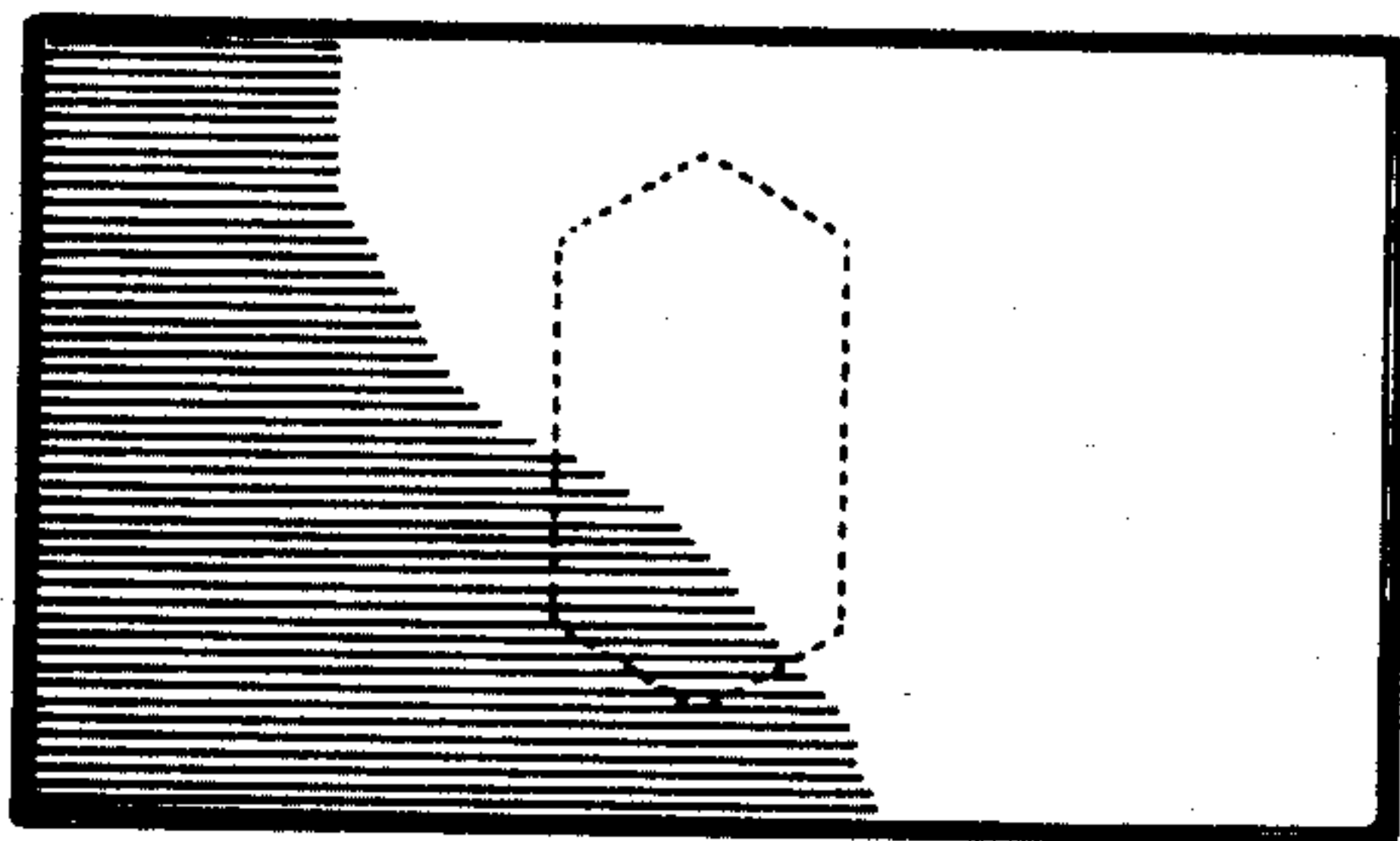


FIG. 2

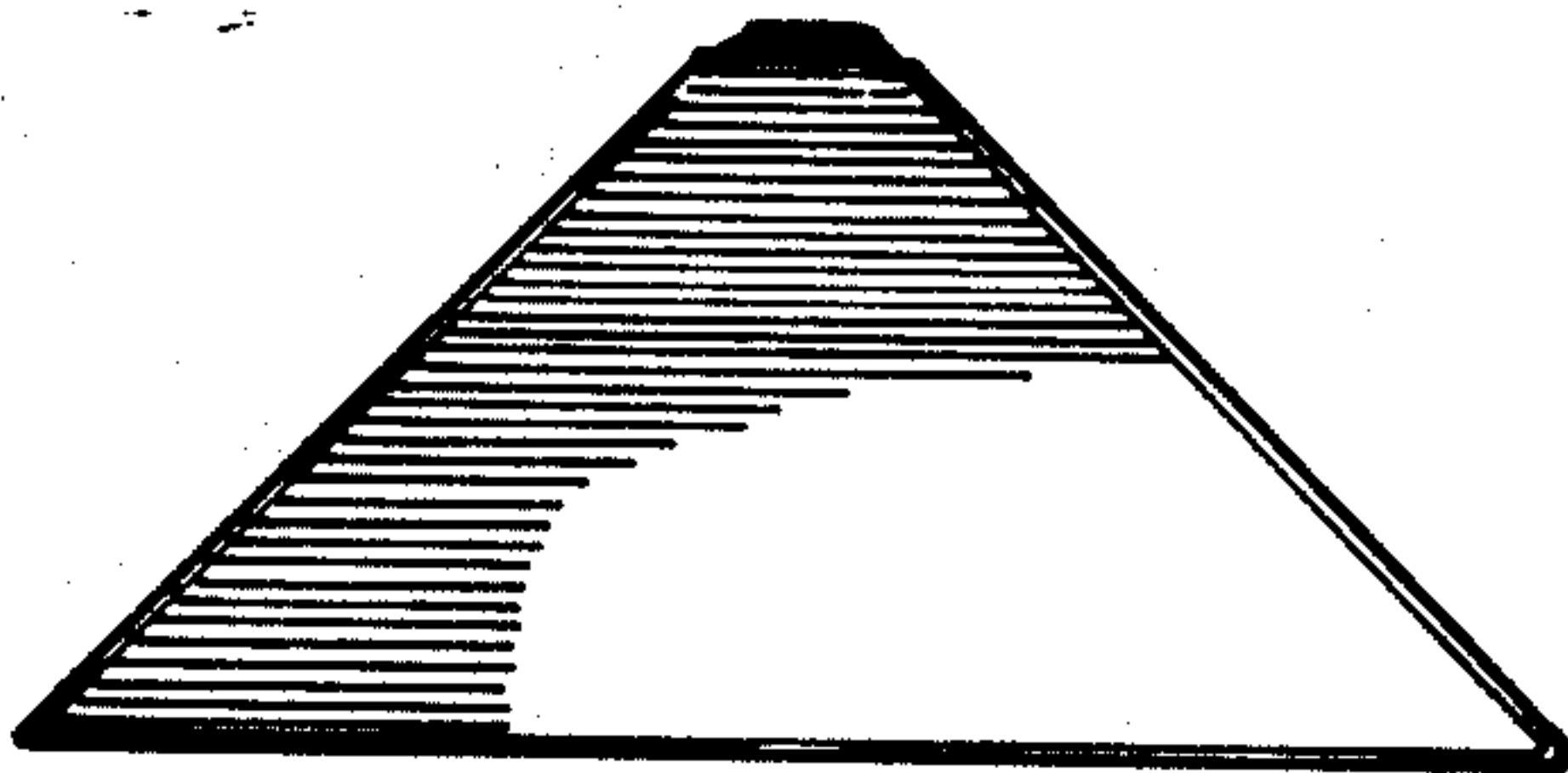


FIG. 3

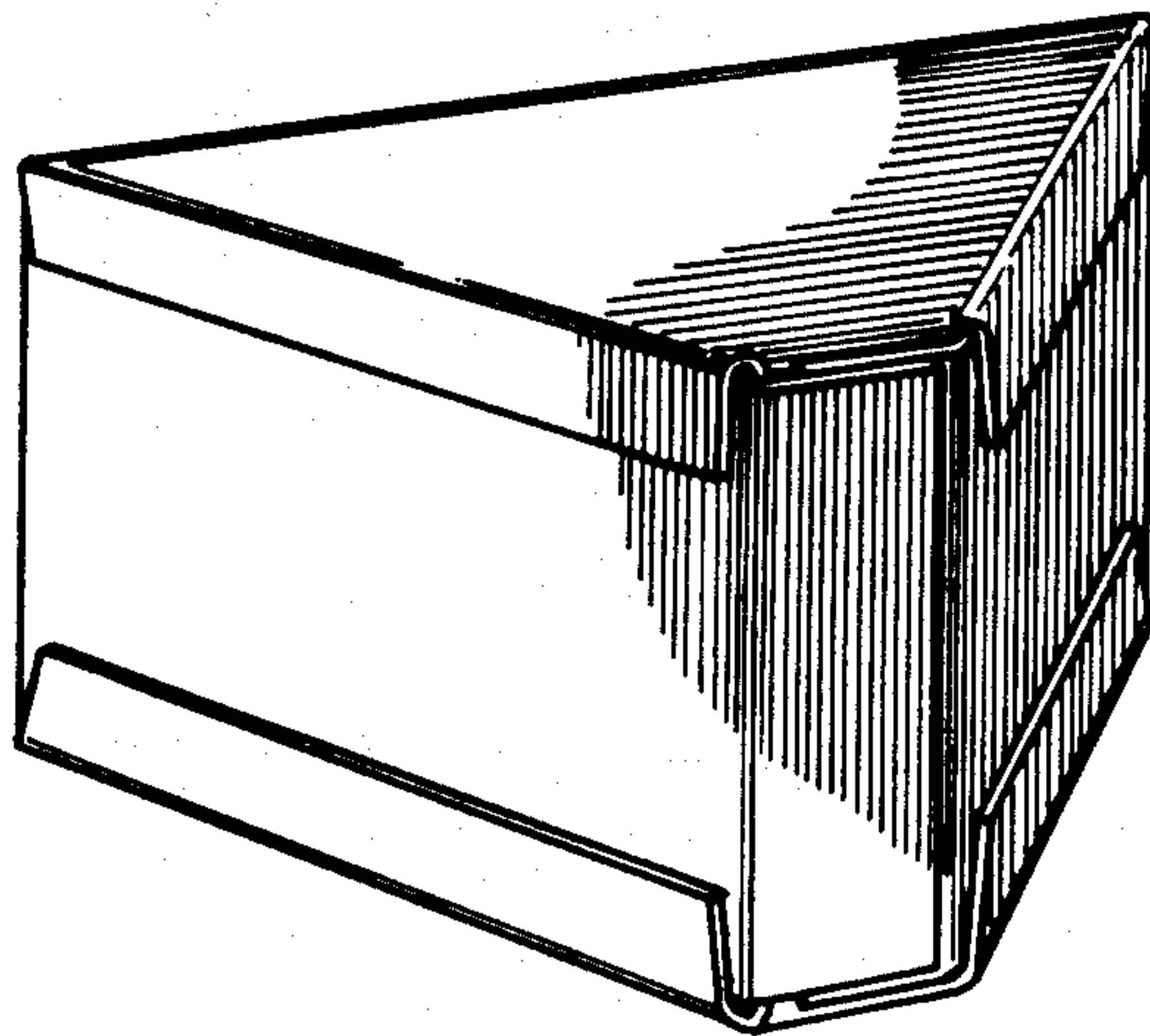


FIG. 4