

[54] TABLE

[75] Inventor: Lester Beall, Jr., High Point, N.C.

[73] Assignee: Trend Line Furniture Corporation, Hickory, N.C.

[\*\*] Term: 14 Years

[21] Appl. No.: 831,637

[22] Filed: Sep. 1, 1977

[51] Int. Cl. .... D6-03

[52] U.S. Cl. .... D6/179

[58] Field of Search ..... D6/146-149, D6/177, 175, 178, 179

[56] References Cited

U.S. PATENT DOCUMENTS

D. 232,794	9/1974	Gilbert .....	D6/177
D. 240,690	7/1976	Zagaroli .....	D6/177
D. 244,644	6/1977	Null .....	D6/177 X
D. 246,881	1/1978	Imber et al. ....	D6/177

D. 249,213 9/1978 Ungaro ..... D6/177

OTHER PUBLICATIONS

Sprague & Carleton's "Patriot Pine" Cat., 1973 edition, p. 3, table No. 21-0210. Furniture Specialties Corp. Cat., p. 3, table in foreground.

Primary Examiner—Bruce W. Dunkins  
Attorney, Agent, or Firm—Joseph P. Flanagan

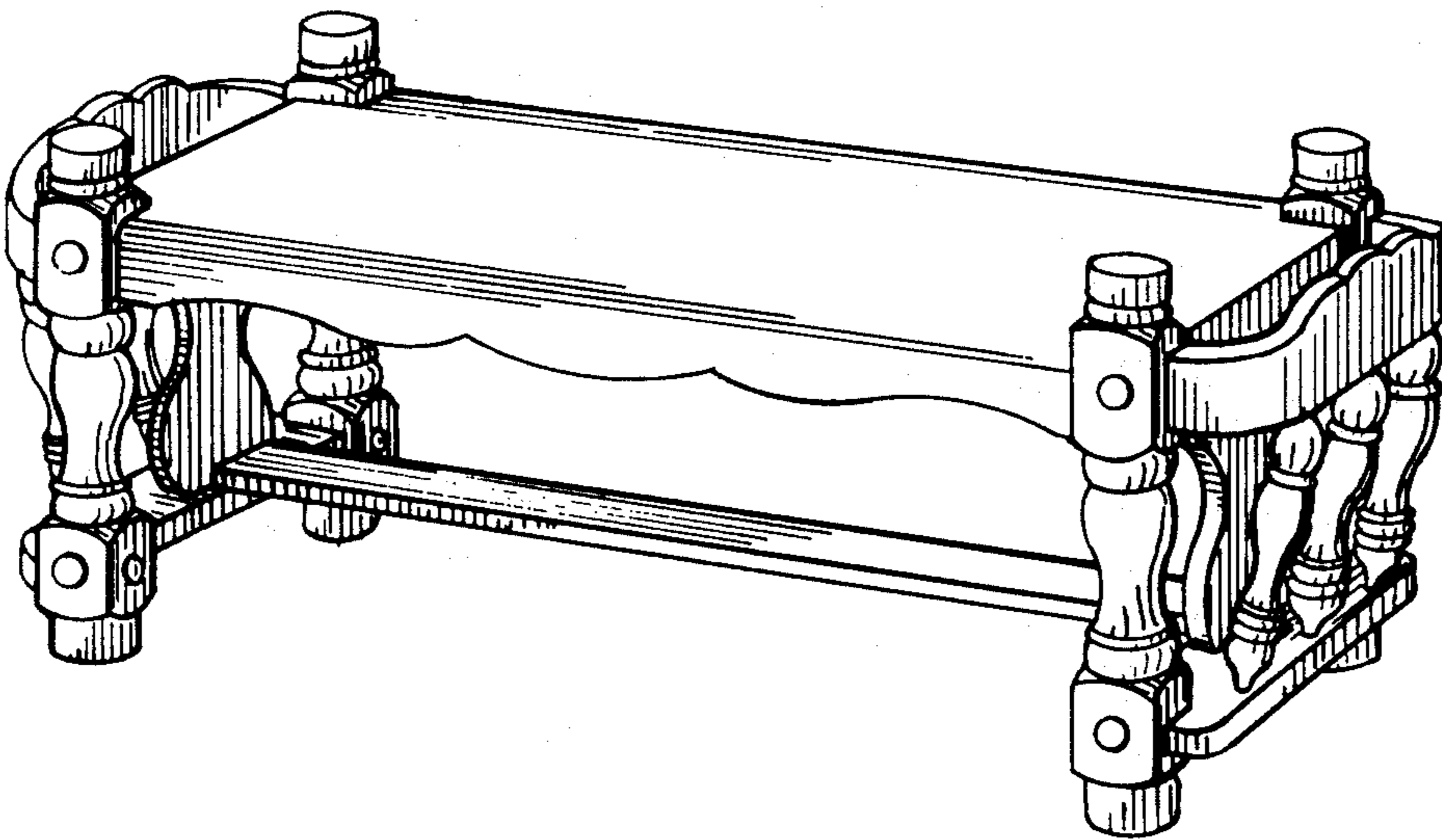
[57] CLAIM

The ornamental design for a table, as shown and described.

DESCRIPTION

The FIGURE is a perspective view of the design of the instant invention.

The side not shown is the same as the side shown while that portion of the left end not shown is the same as that part of the right end shown, and the portion of the right end not shown is the same as that portion of the left end shown.



U.S. Patent

Jul. 24, 1979

Des. 252,433

