

[54] DICE GAME APPARATUS

1,077,747 11/1913 Phillips ..... 273/145 D

[76] Inventor: Manuel Camara, 600 Jennings St.,  
Vallejo, Calif. 94590

FOREIGN PATENT DOCUMENTS

702672 1/1931 France ..... 273/145 D

[\*\*] Term: 14 Years

Primary Examiner—Melvin B. Feifer  
Attorney, Agent, or Firm—Frank A. Neal

[21] Appl. No.: 822,938

[57] CLAIM

[22] Filed: Aug. 8, 1977

The ornamental design for a dice game apparatus, as shown.

[51] Int. Cl. .... D21-01

[52] U.S. Cl. .... D21/41

[58] Field of Search ..... D34/5 GG; 273/145 C,  
273/145 R, 145 E, 145 D

DESCRIPTION

FIG. 1 is a view in perspective of dice game apparatus embodying my new design;

FIG. 2 is a top plan view of said game apparatus;

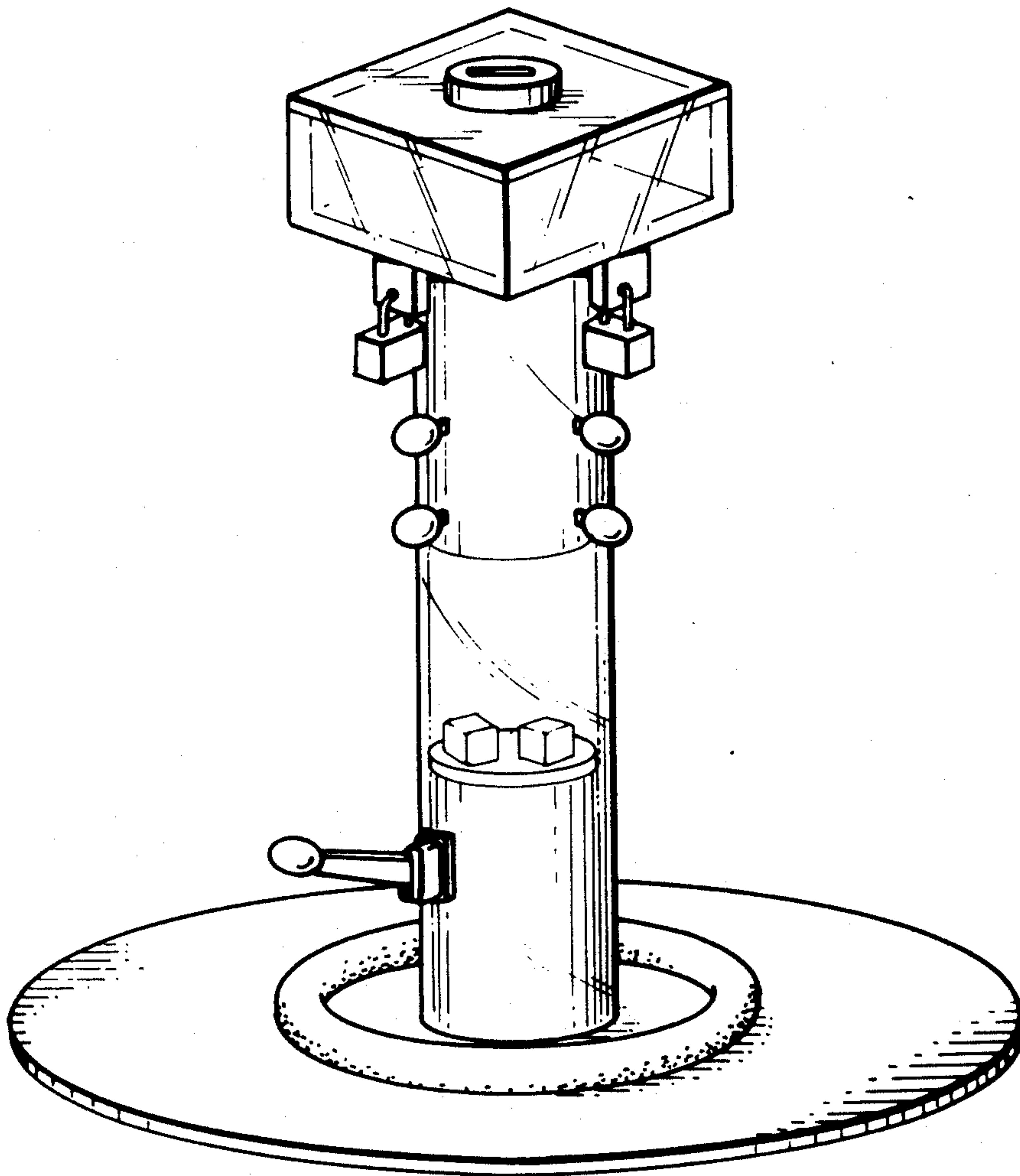
FIG. 3 is a view in front elevation of said game apparatus; and

FIG. 4 is a view in side elevation of said game apparatus.

[56] References Cited

U.S. PATENT DOCUMENTS

D. 226,111 1/1973 Kahn ..... D34/5 GG  
591,269 10/1897 Dubois ..... 273/145 C



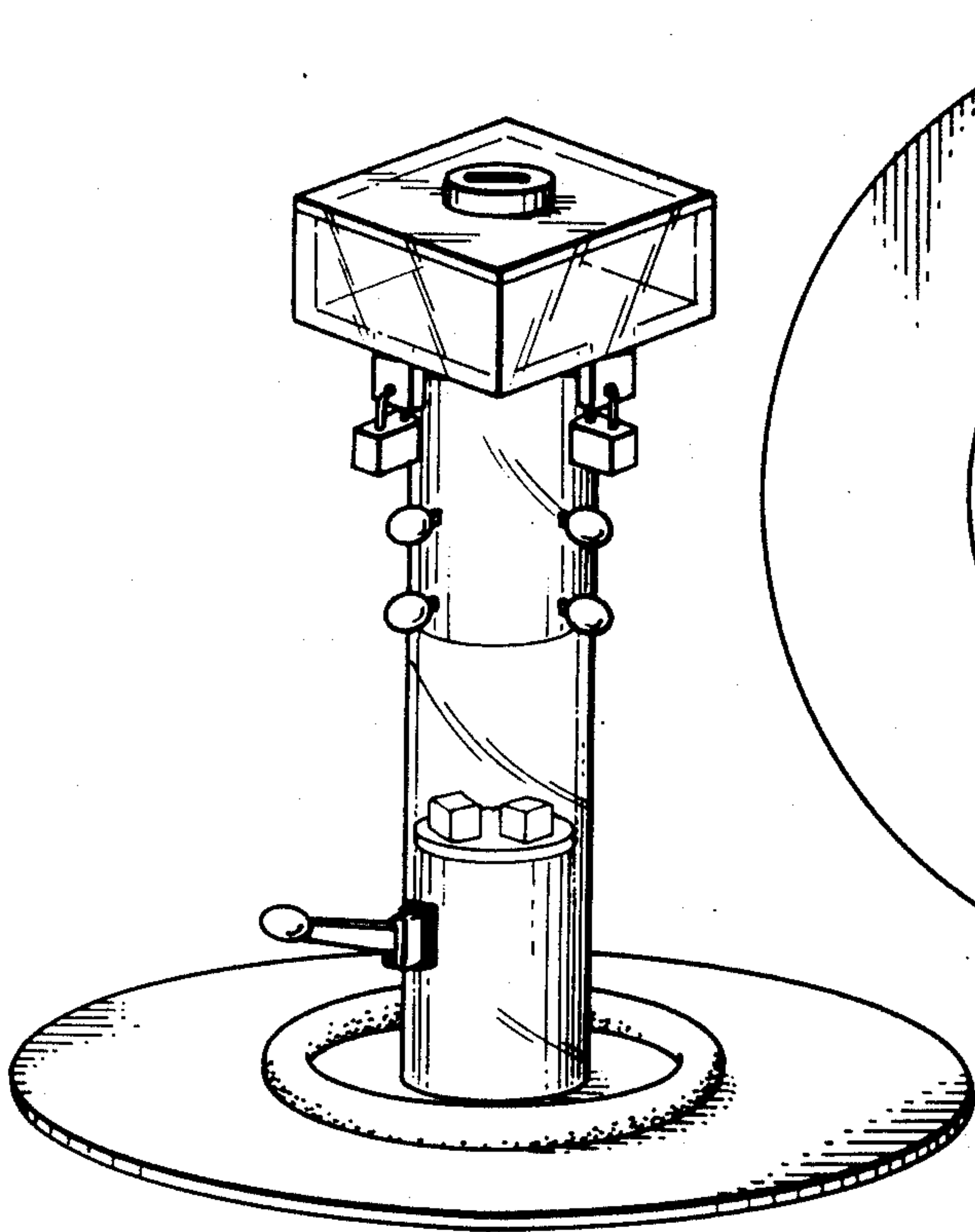


FIG. 1.

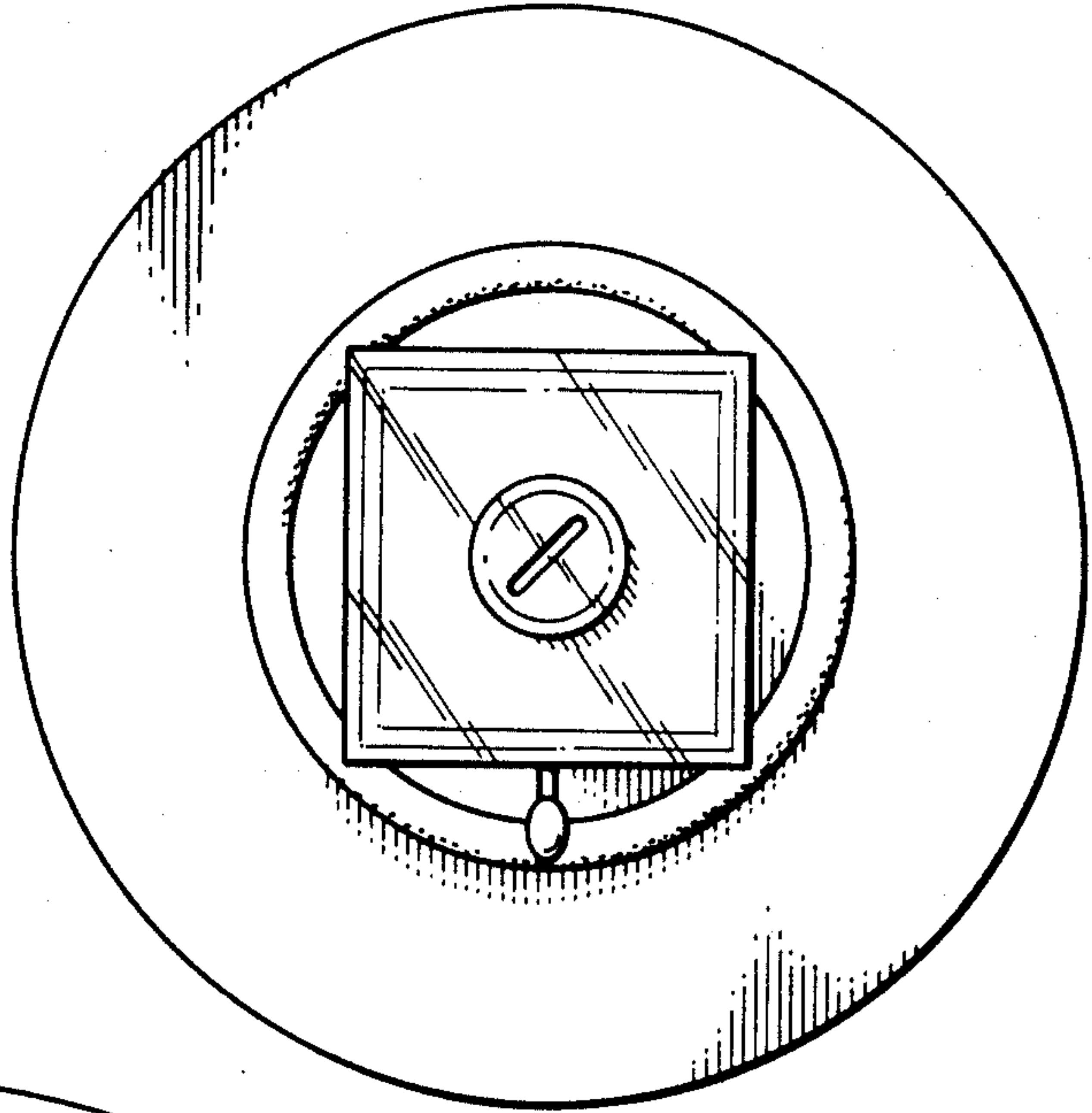


FIG. 2.

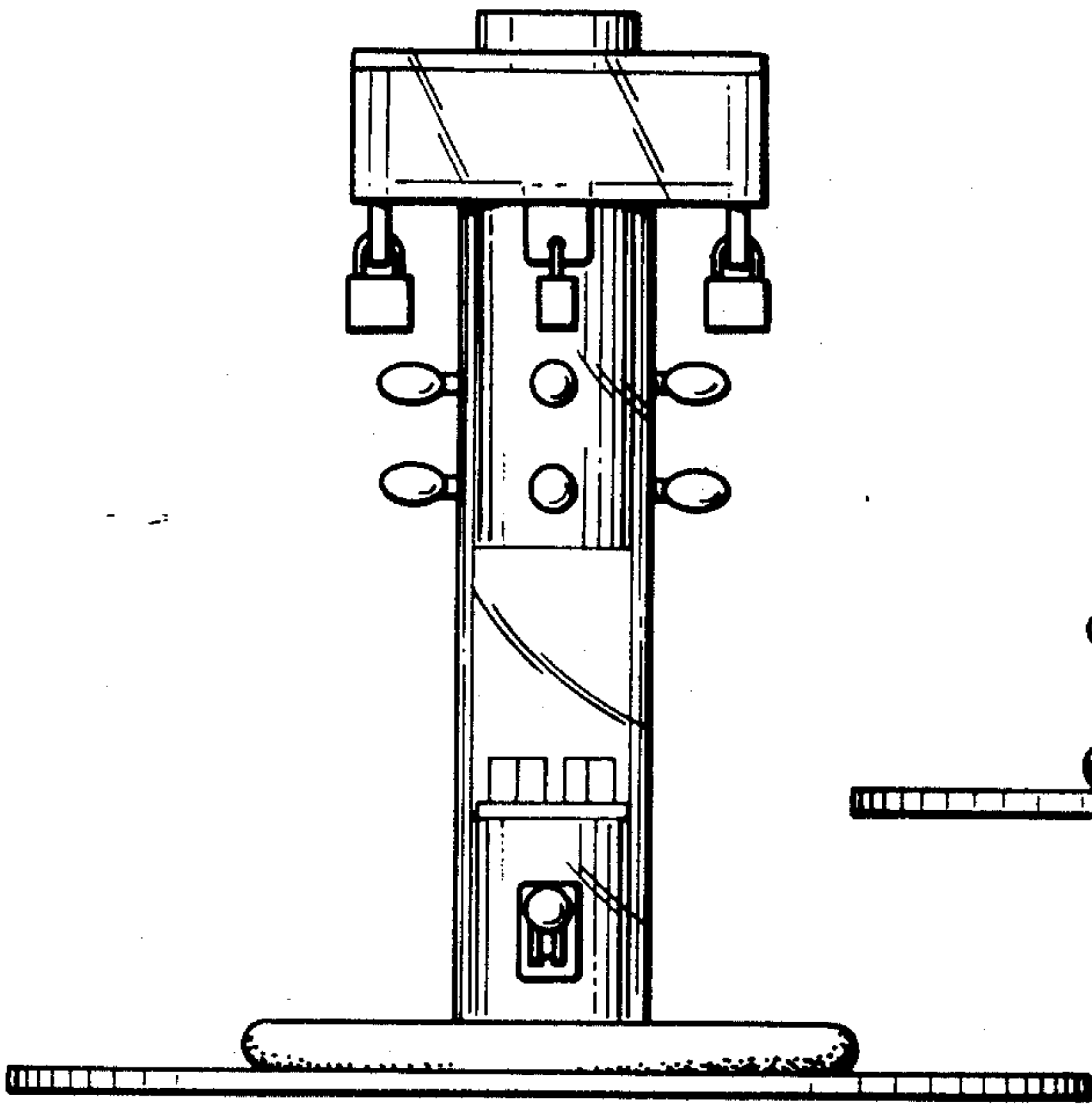


FIG. 3.

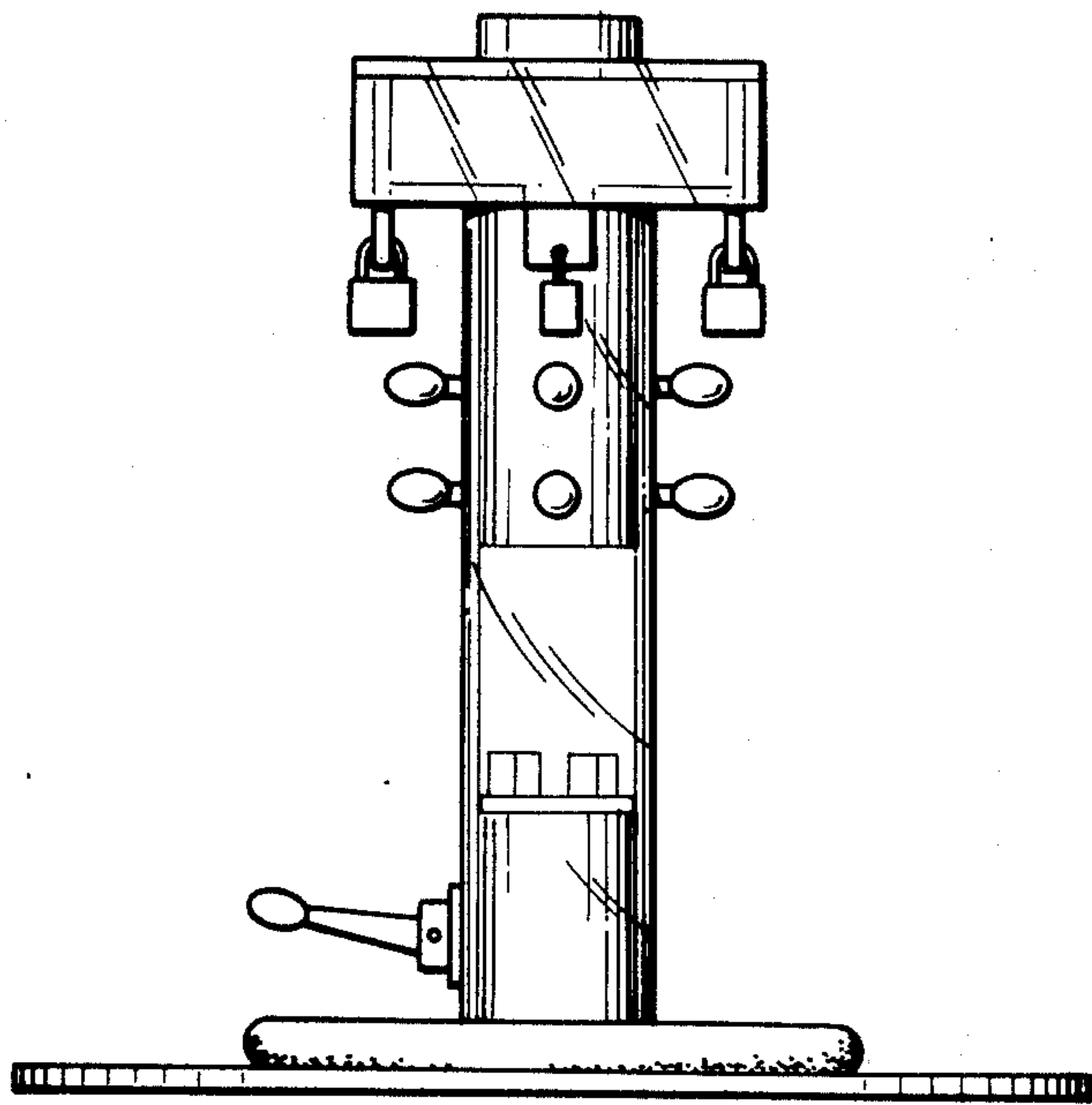


FIG. 4.