

[54] **FINANCIAL TRANSACTION KIOSK**  
 [75] Inventor: **Clarence F. Graser**, Columbus, Ohio  
 [73] Assignee: **The City National Bank & Trust Company**, Columbus, Ohio  
 [\*\*] Term: **14 Years**  
 [21] Appl. No.: **811,771**  
 [22] Filed: **Jun. 30, 1977**  
 [51] Int. Cl. .... **D31-00**  
 [52] U.S. Cl. .... **D99/28**  
 [58] Field of Search ..... **D31/22; D25/16; 312/254, 239; D6/20; 109/10, 19; 232/43.1; 186/1 C, 1 R**

[56] **References Cited**  
**U.S. PATENT DOCUMENTS**  
 D. 197,221 12/1963 Dreyfuss ..... D25/16  
 D. 220,481 4/1971 Aarnio ..... D6/20  
 D. 230,511 2/1974 Stieber ..... D31/22

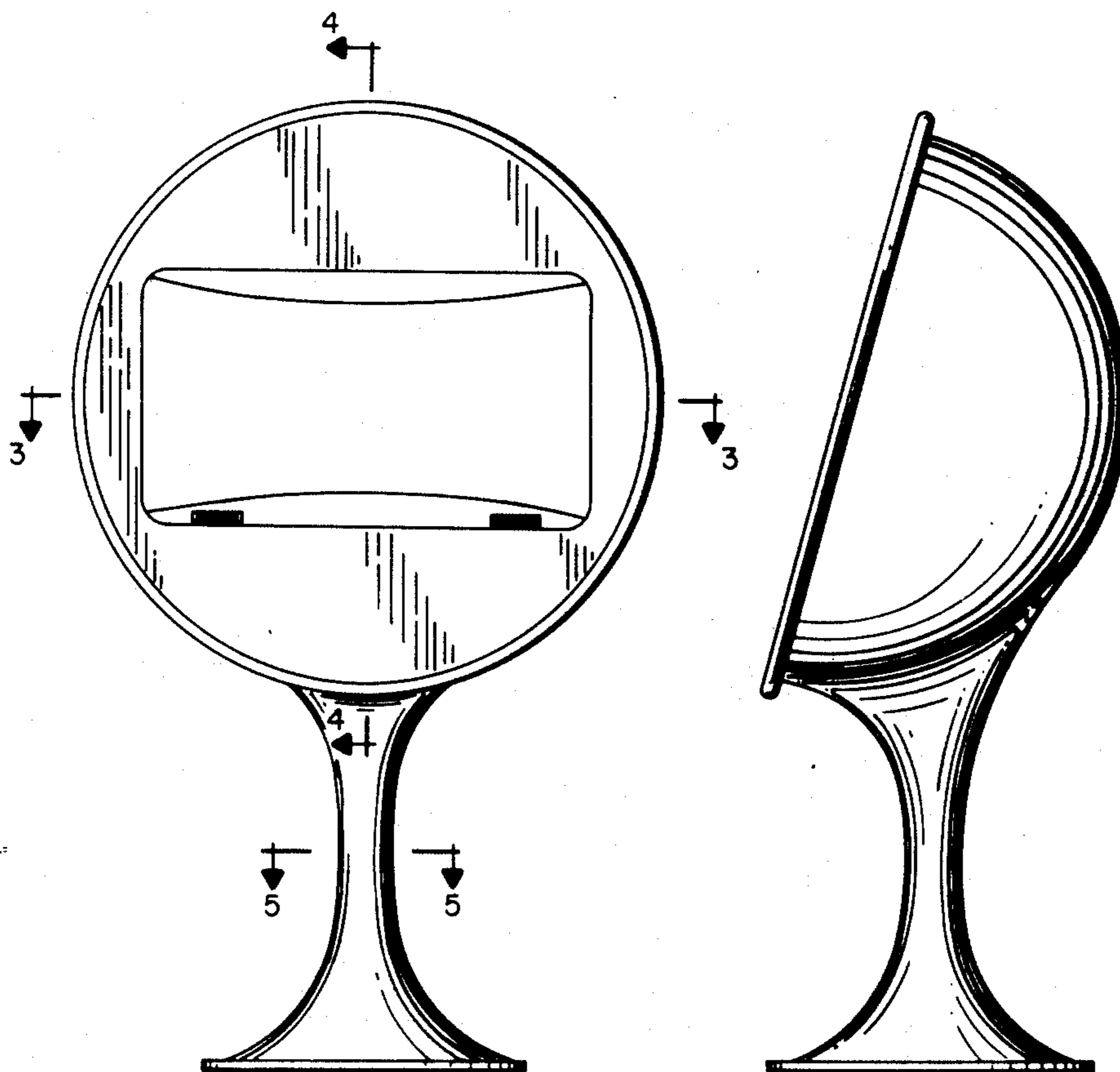
*Primary Examiner*—James M. Gandy  
*Attorney, Agent, or Firm*—Robert E. Stebens

[57] **CLAIM**

The ornamental design for a financial transaction kiosk, substantially as shown and described.

**DESCRIPTION**

FIG. 1 is a front elevational view of a financial transaction Kiosk showing my new design;  
 FIG. 2 is a side elevational view thereof, the opposite side being a mirror image of the side shown herein;  
 FIG. 3 is a horizontal sectional view thereof taken along line 3-3 of FIG. 1;  
 FIG. 4 is a fragmentary vertical sectional view thereof taken along line 4-4 of FIG. 1; and  
 FIG. 5 is a horizontal sectional view thereof taken along line 5-5 of FIG. 1.  
 The rear of the Kiosk is substantially plain and unornamented.



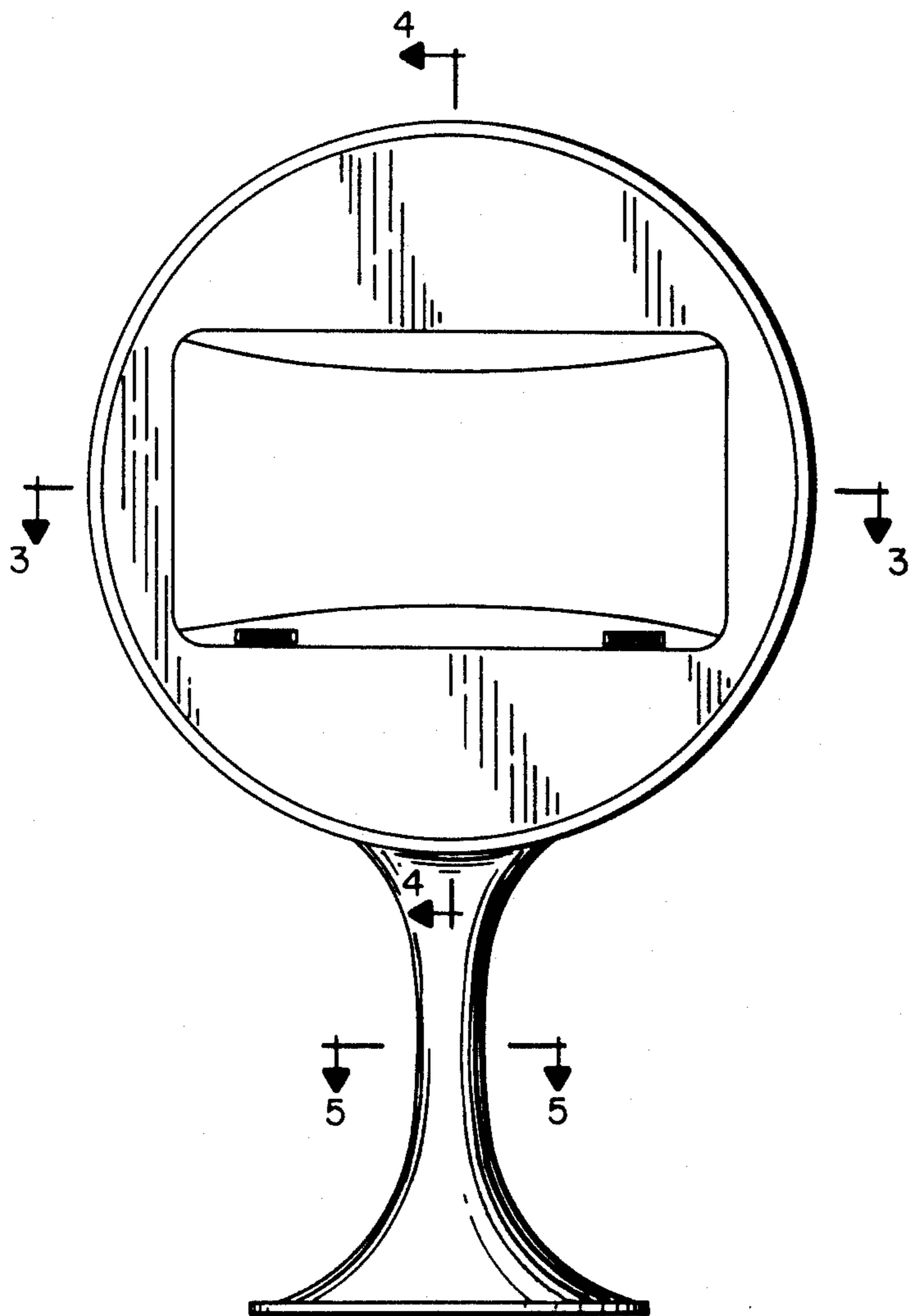


Fig. 1

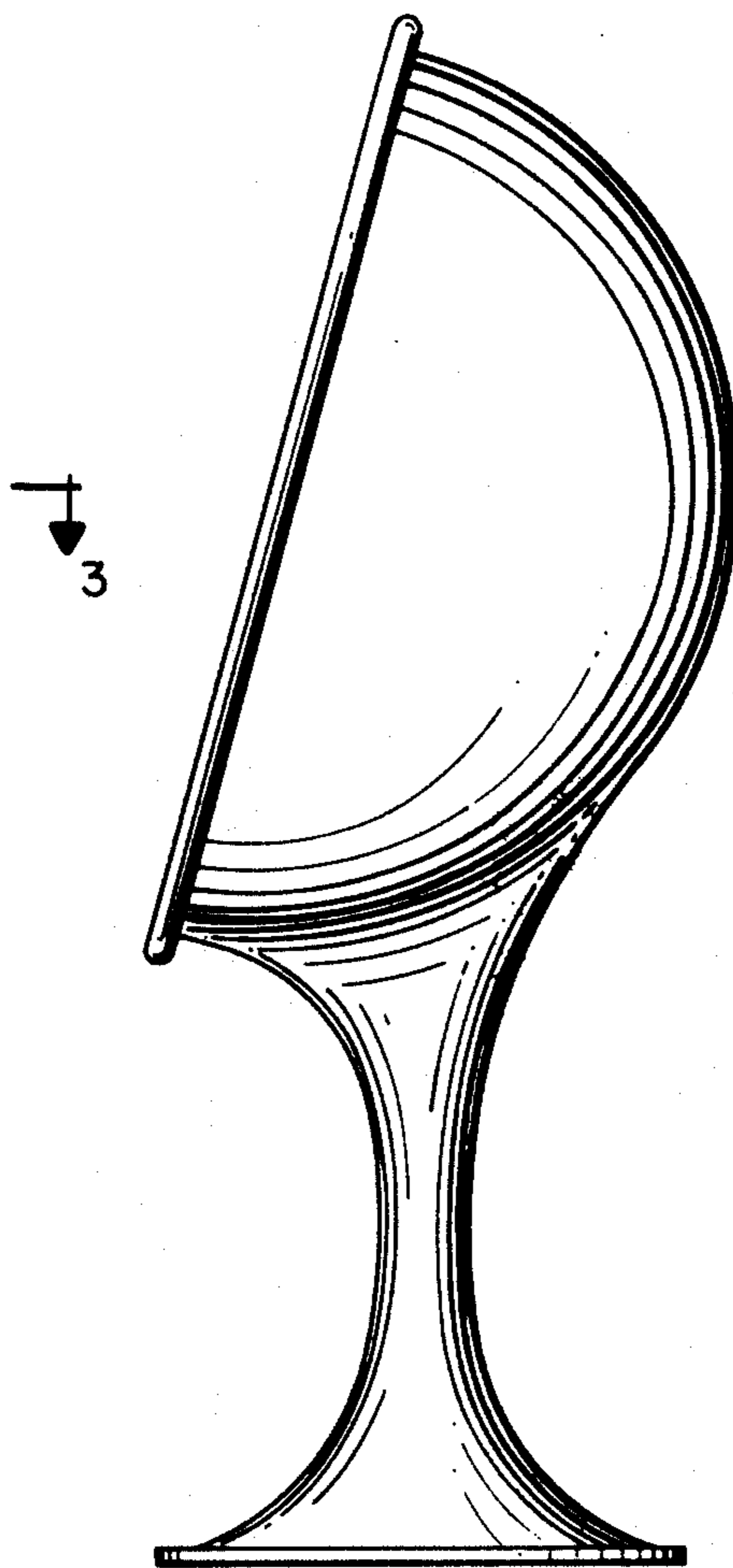
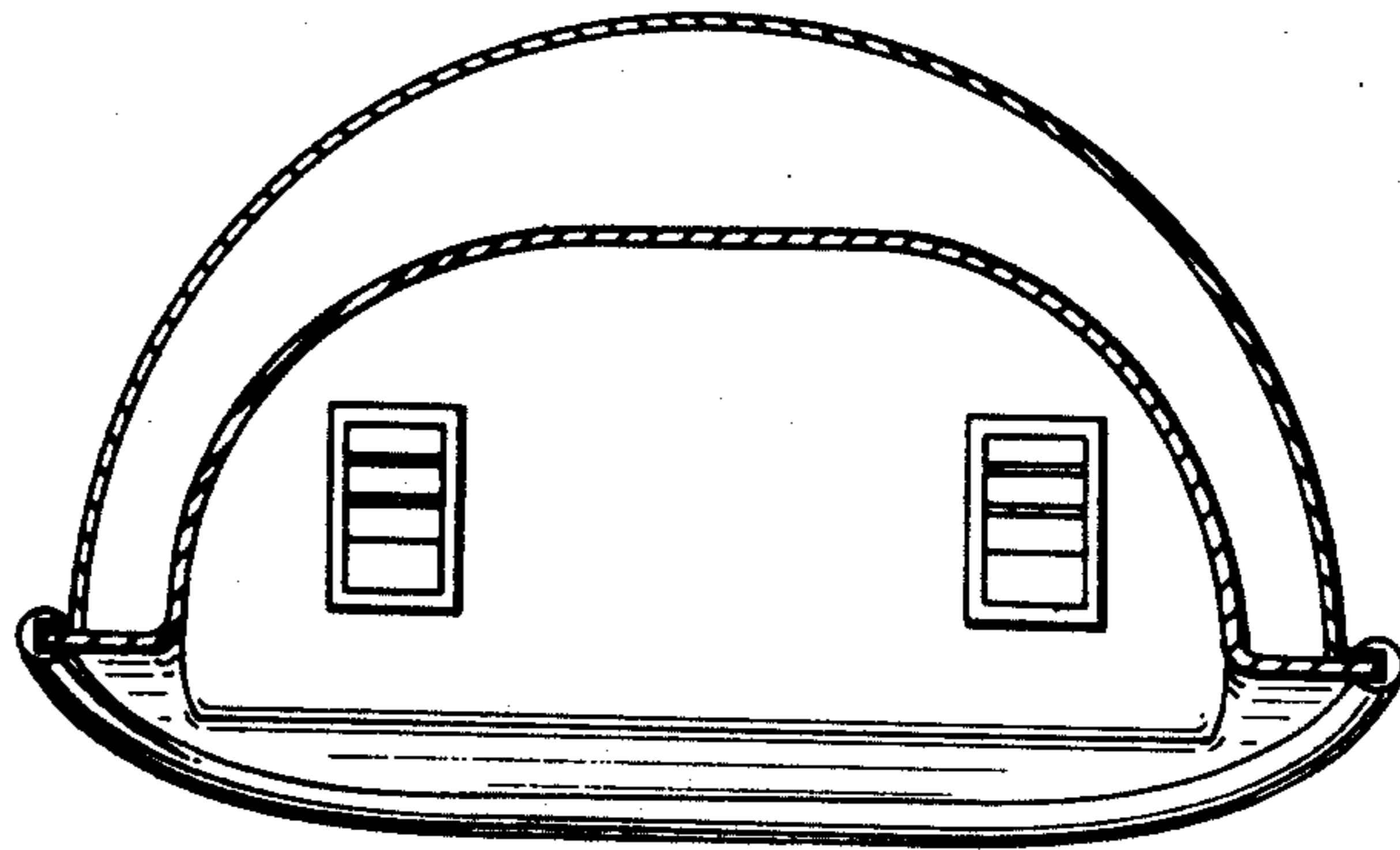
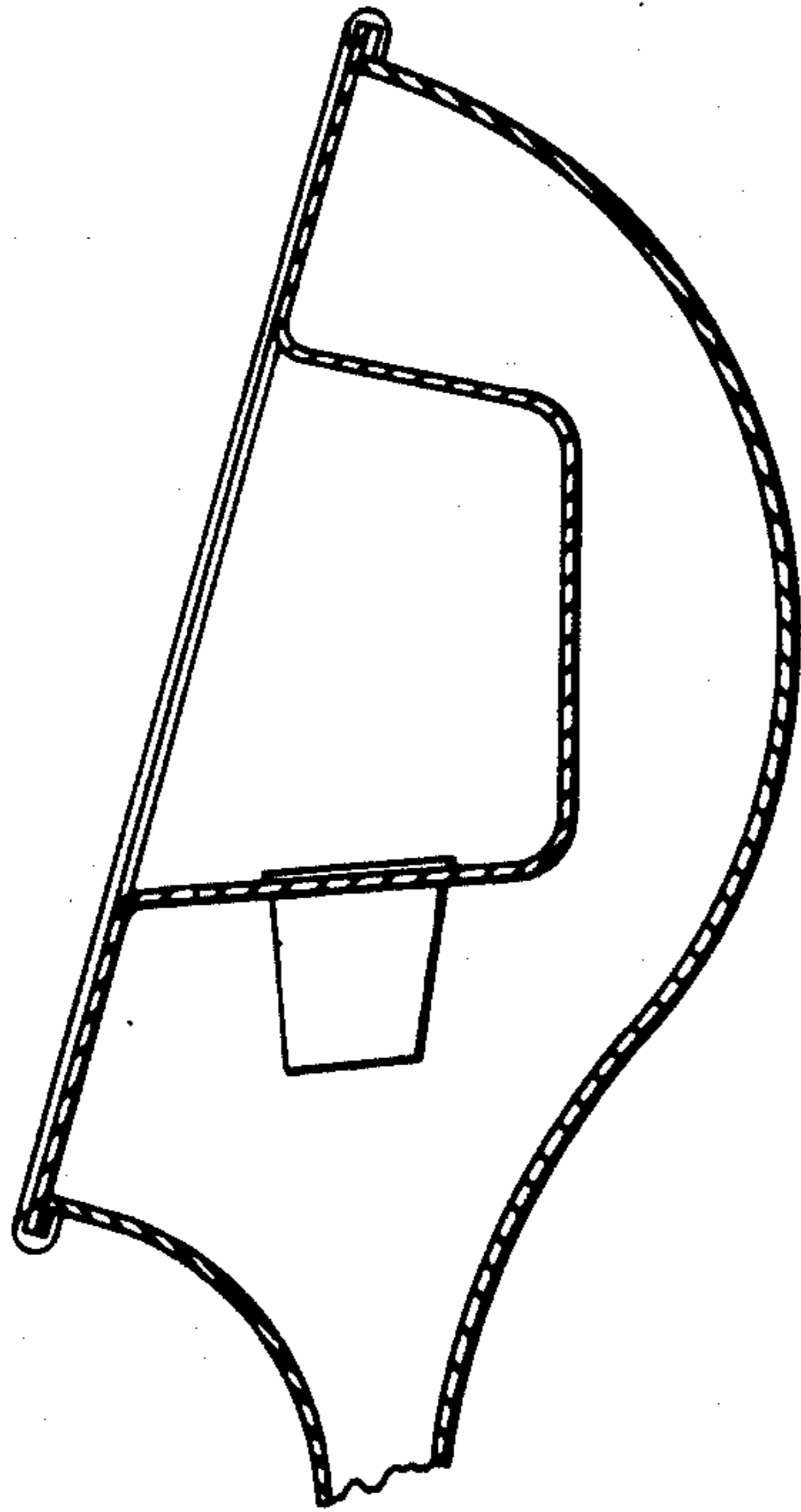


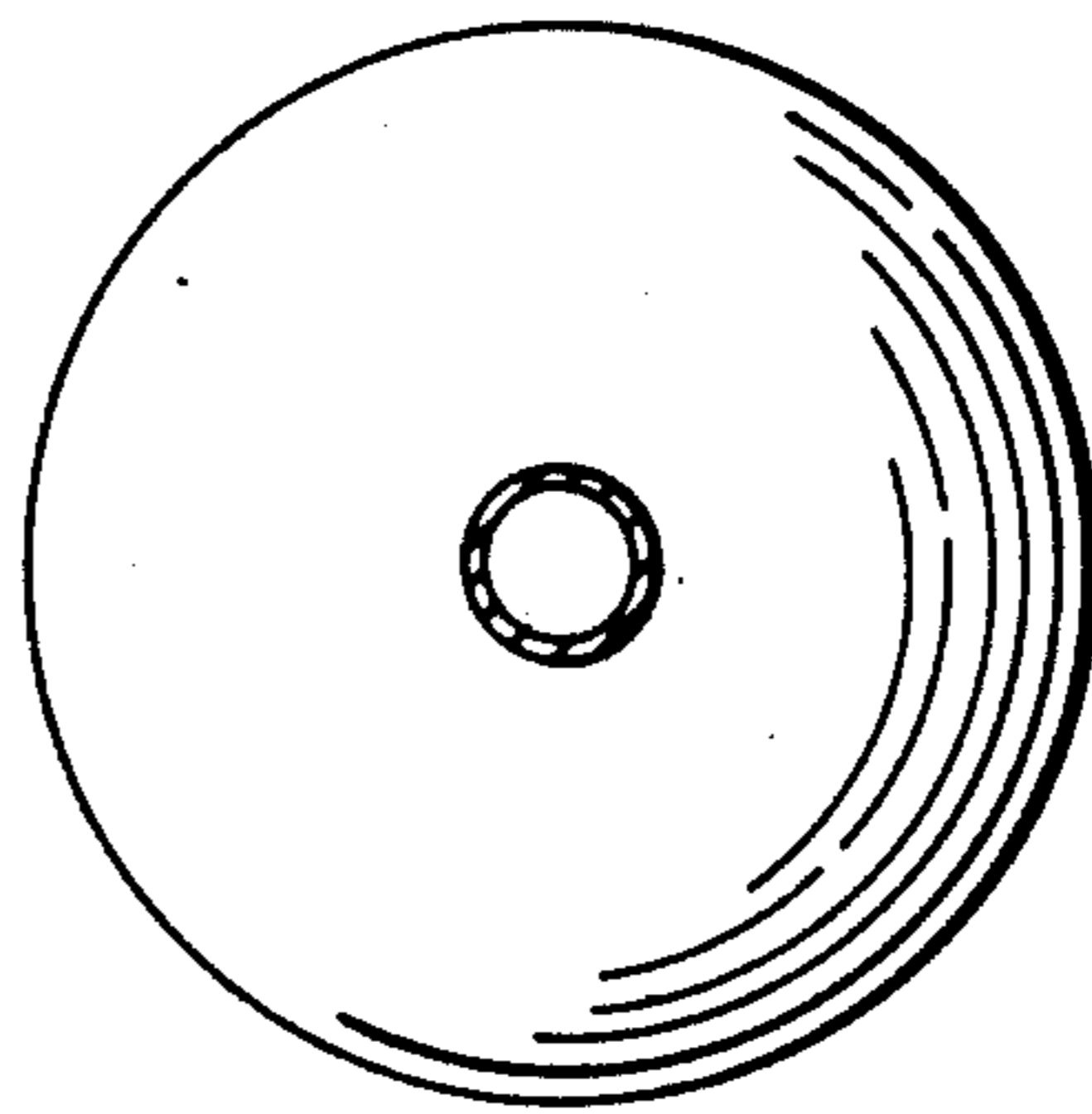
Fig. 2



*Fig. 3*



*Fig. 4*



*Fig. 5*