

[54] COSMETIC ORGANIZER

[75] Inventors: Arnold Rose, Providence, R.I.; Elihu Cohen, New York, N.Y.

[73] Assignee: Trina, Inc.

[**] Term: 14 Years

[21] Appl. No.: 828,953

[22] Filed: Aug. 29, 1977

[51] Int. Cl. D28-03

[52] U.S. Cl. D3/39; D3/69; D28/73

[58] Field of Search D28/9, 61, 73, 76, 77, D28/99, 85, 38; D24/31; D9/184, 185, 187-189; 132/1 R, 79 R, 83 R; 220/DIG. 26; D7/37, 38; D87/1 R, 5 C; 206/581, 235, 823, 557, 558, 562, 564

[56] References Cited

U.S. PATENT DOCUMENTS

D. 153,668 5/1949 Craighead D87/5 C
D. 206,982 2/1967 Giacchero D28/38
D. 224,175 7/1972 Mark D87/5 C

OTHER PUBLICATIONS

Beauty Fashion, Feb./Mar. 1976, p. 108, Helena Rubinstein, caddy at bottom right.

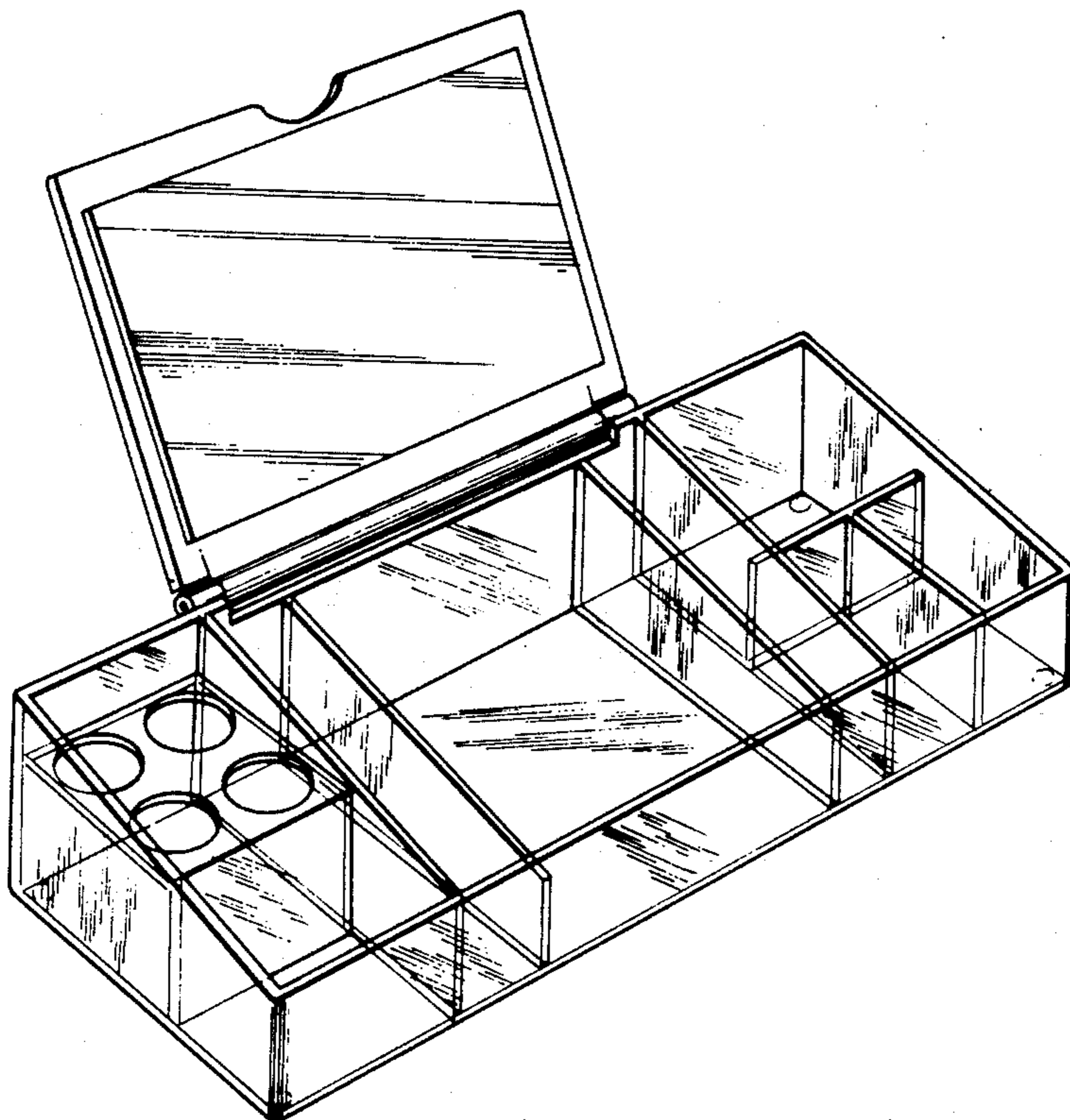
Primary Examiner—Louis S. Zarfes
Attorney, Agent, or Firm—Elliot A. Salter

[57] CLAIM

The ornamental design for a cosmetic organizer, substantially as shown and described.

DESCRIPTION

FIG. 1 is a front perspective view of a cosmetic organizer showing our new design, with the mirrored lid shown in open position;
FIG. 2 is a left side elevational view thereof;
FIG. 3 is a right side elevational view thereof;
FIG. 4 is a rear elevational view thereof;
FIG. 5 is a top plan view thereof; and
FIG. 6 is a front elevational view thereof.



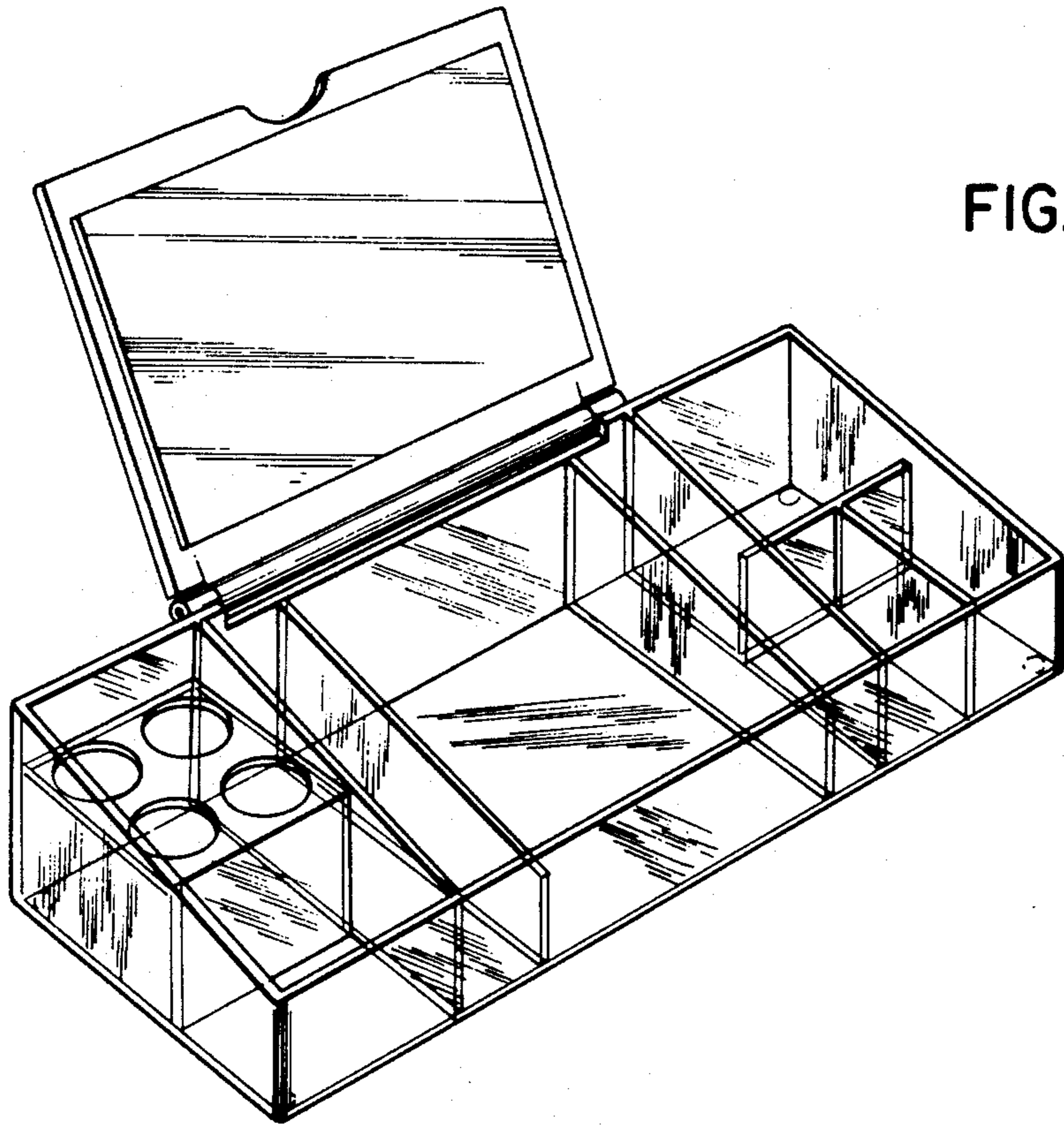


FIG. 1

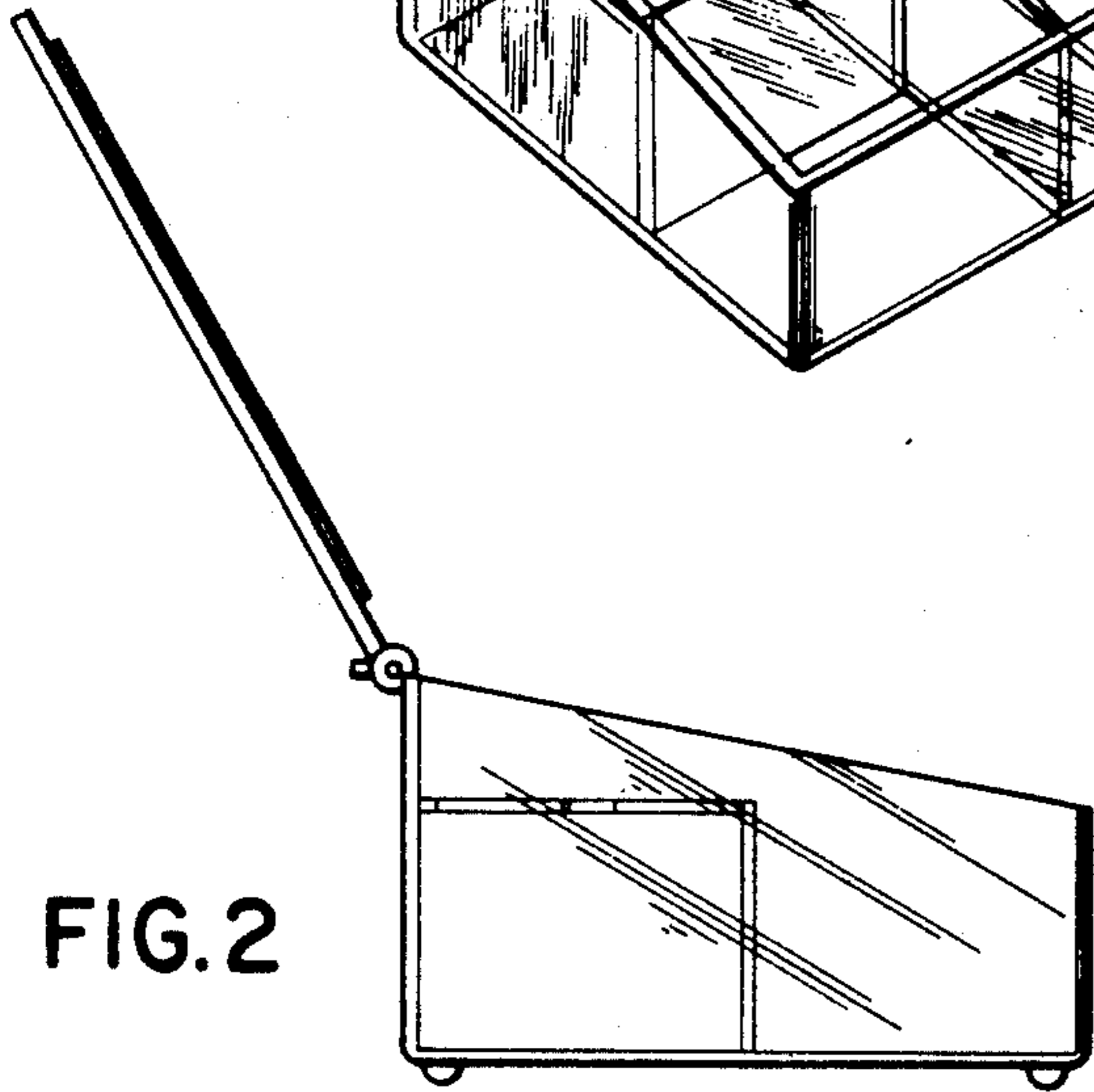


FIG. 2

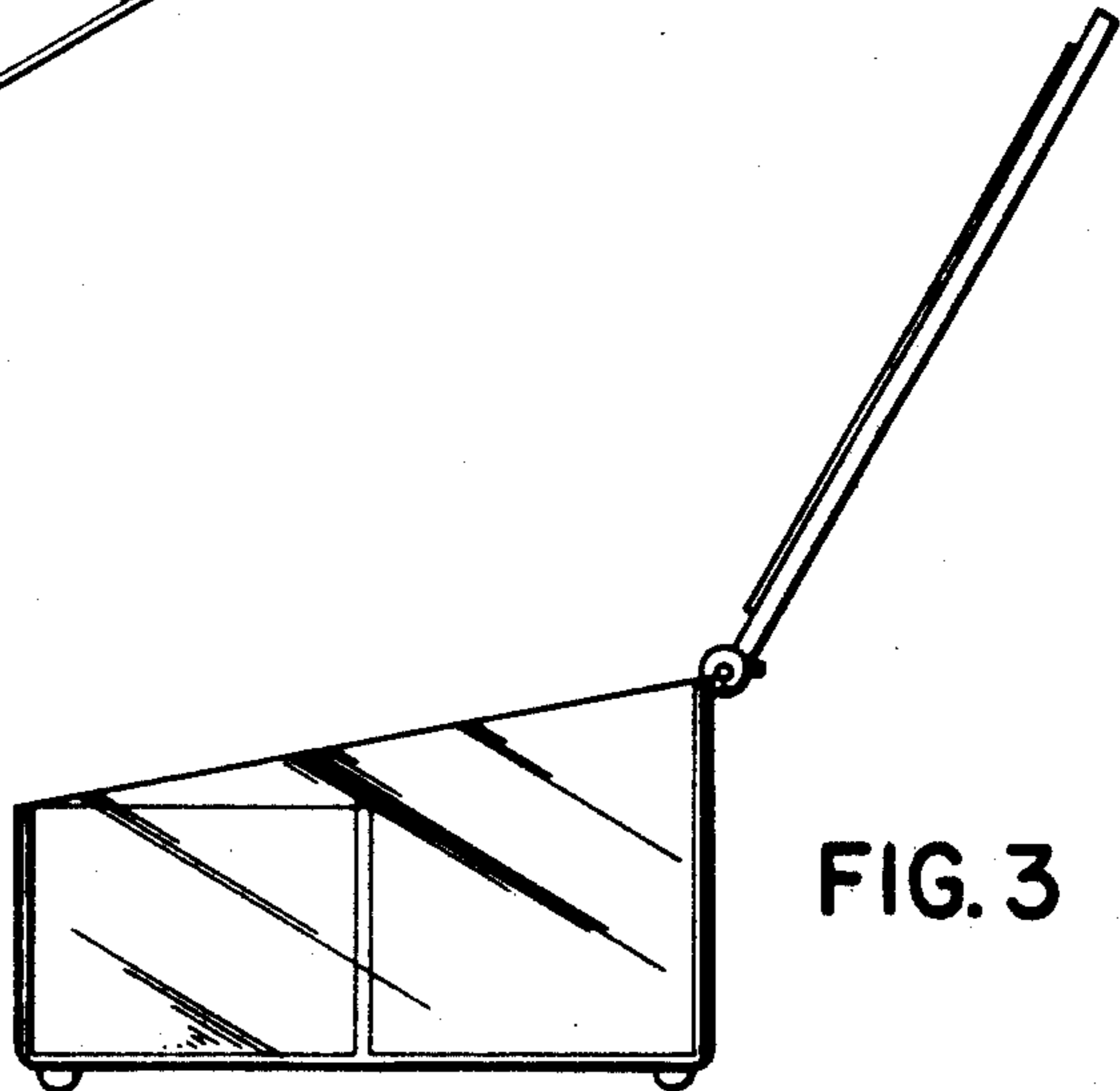


FIG. 3

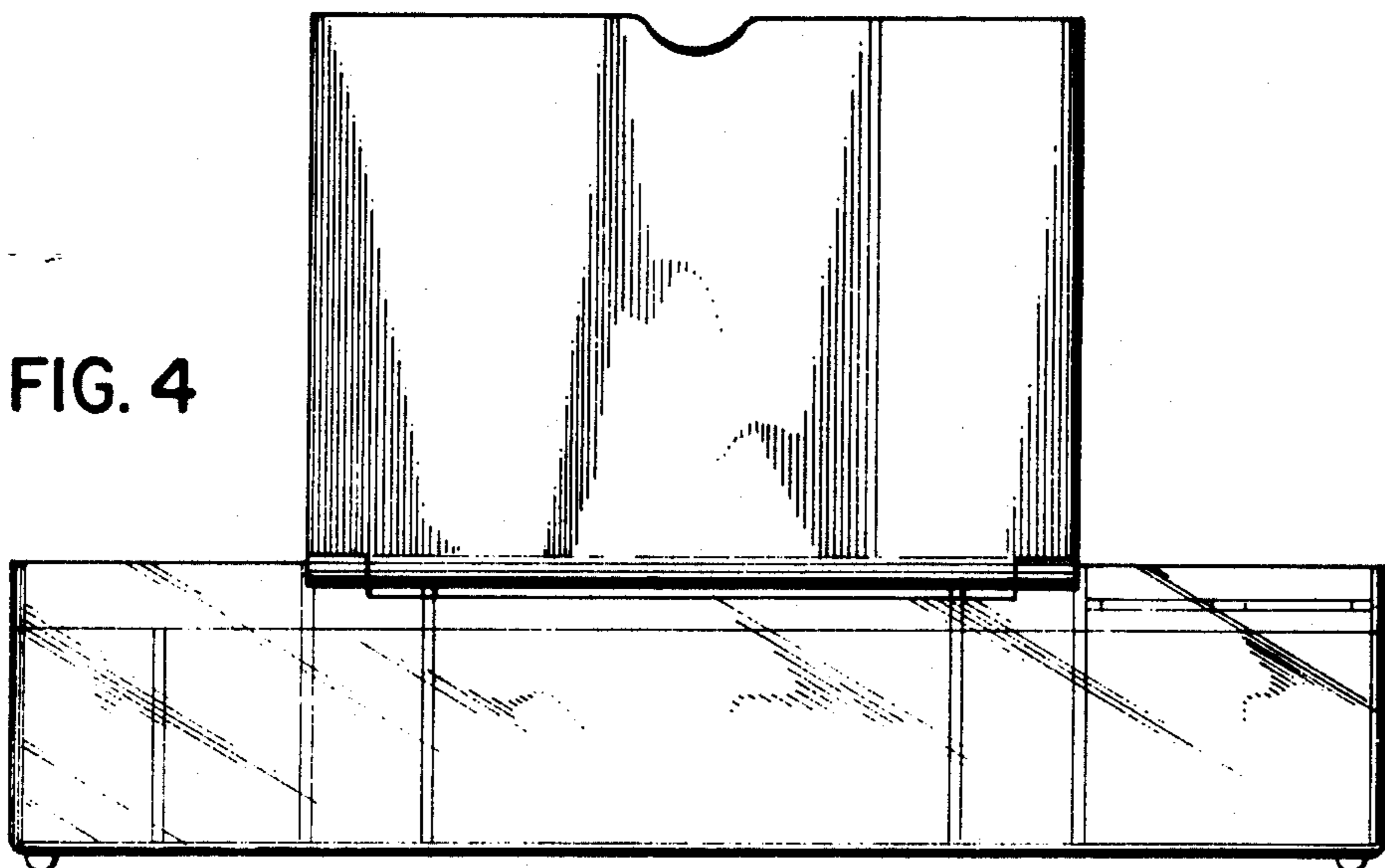


FIG. 4

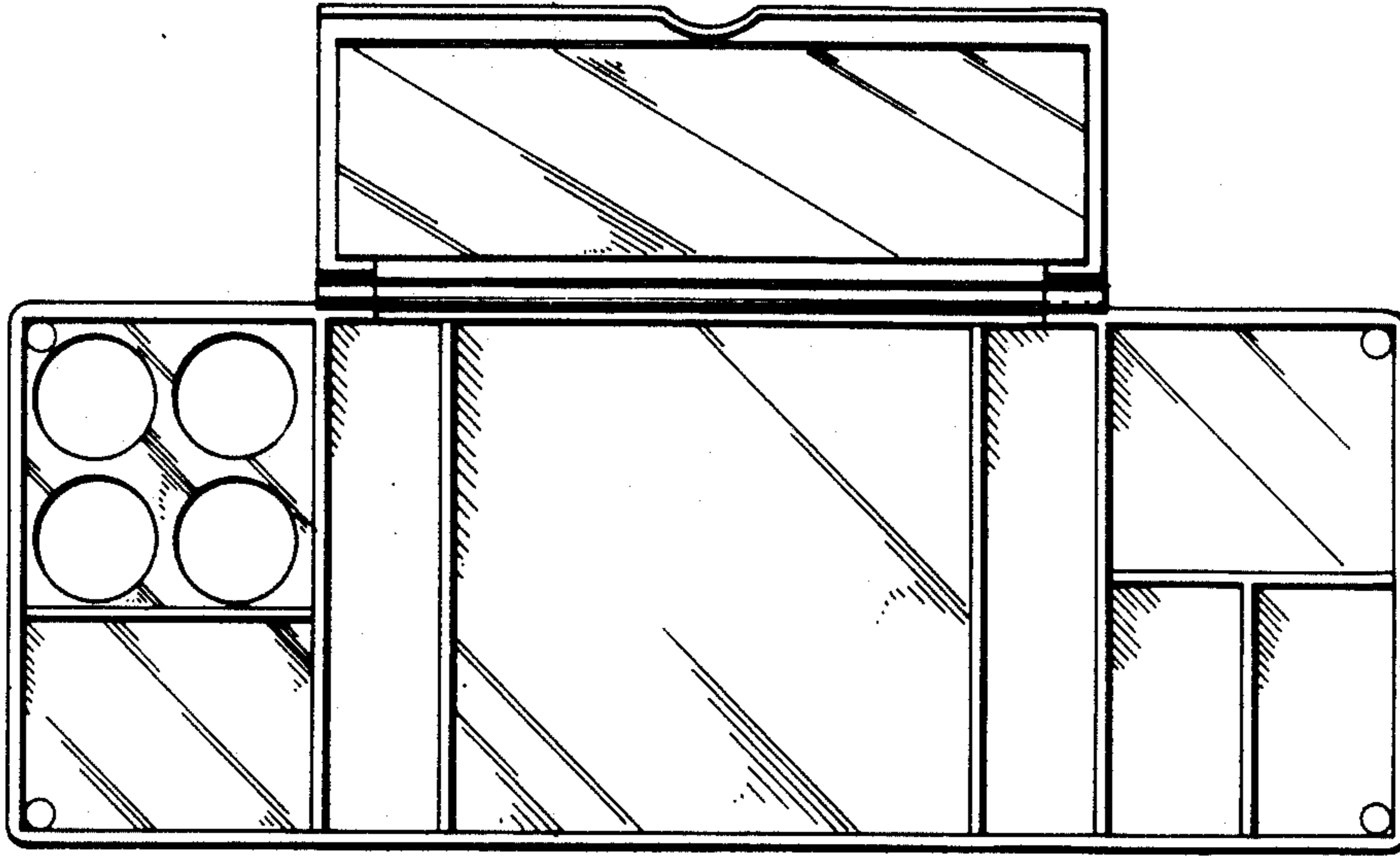


FIG. 5

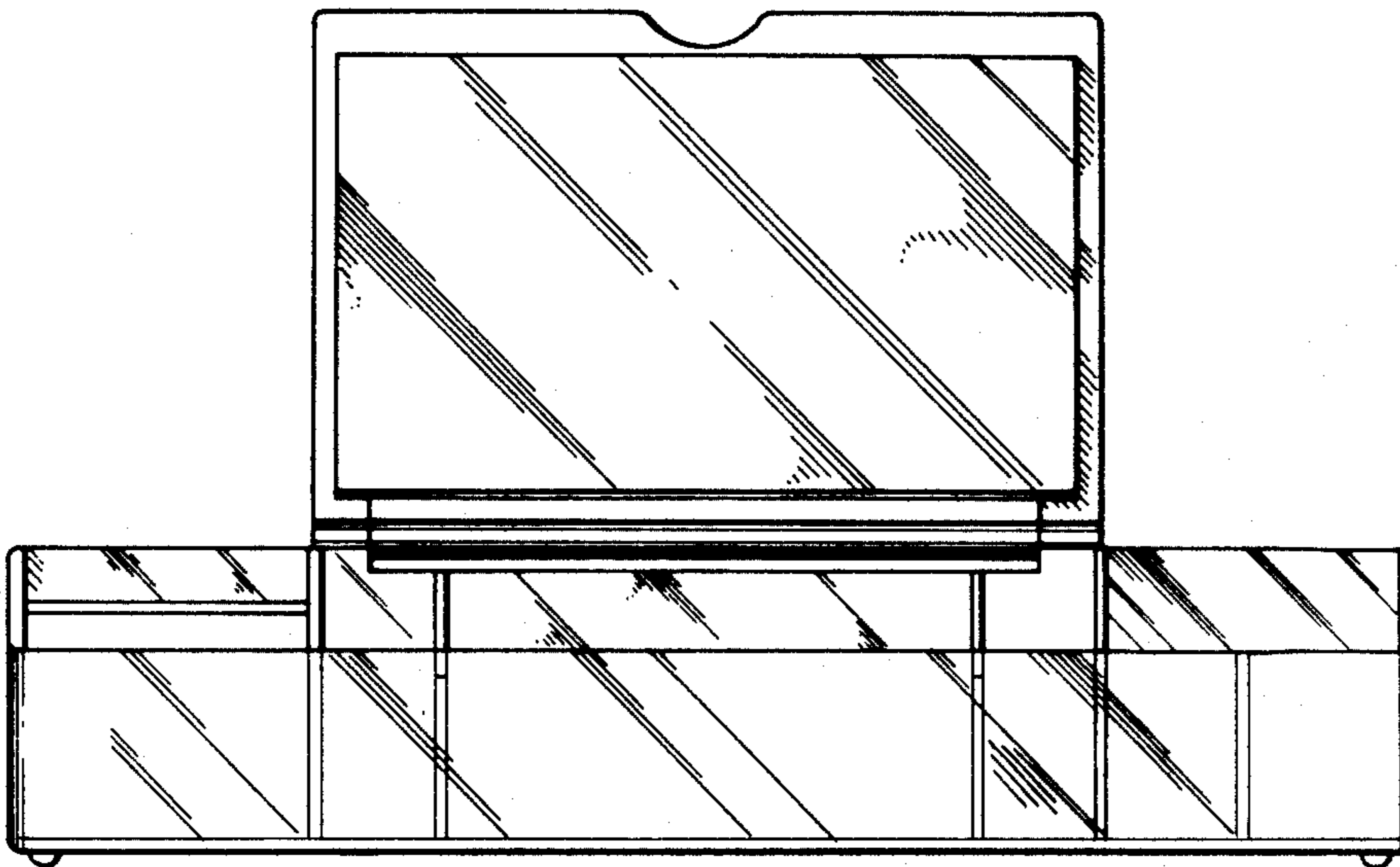


FIG. 6