

- [54] FENCE
- [76] Inventor: **John J. Dobias**, 1212 Sumach Dr., Windsor, Ontario, Canada, N8S 2S4
- [**] Term: **14 Years**
- [21] Appl. No.: **770,928**
- [22] Filed: **Feb. 22, 1977**
- [51] Int. Cl. **D25-02**
- [52] U.S. Cl. **D25/38**
- [58] Field of Search **D25/38, 39, 40, 41, D25/42, 43, 44, 45, 46, 47, 74, 75; 258/21, 19, 69, 65, 22**

3,484,081	12/1969	Rowan	256/22
3,960,367	6/1976	Rogers	256/21
4,074,893	2/1978	Coltrin	256/21

Primary Examiner—A. Hugo Word
Attorney, Agent, or Firm—Dale R. Small

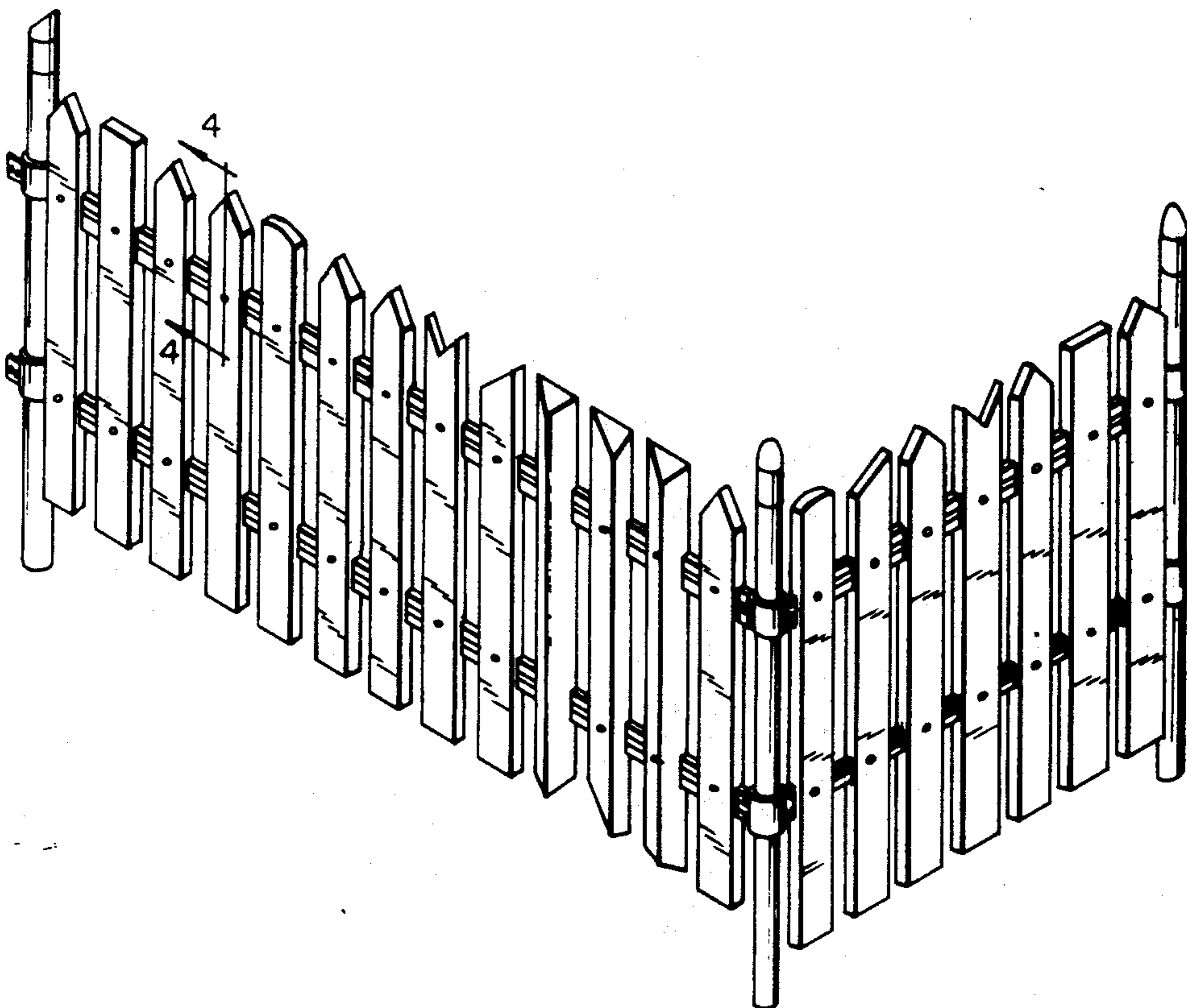
[57] **CLAIM**

The ornamental design for a fence, substantially as shown and described.

DESCRIPTION

FIG. 1 is a perspective view of a fence constructed in accordance with the invention;
 FIG. 2 is an expanded, partially broken away view of portions of the fence illustrated in FIG. 1;
 FIG. 3 is an elevation view of a cap for the fence illustrated in FIG. 1;
 FIG. 4 is a section view of a portion of the fence illustrated in FIG. 1, taken substantially on the line 4—4 in FIG. 1.

- [56] **References Cited**
- U.S. PATENT DOCUMENTS**
- 379,279 3/1880 Lemen D25/42 X
- 2,607,563 8/1952 Rochester 256/22



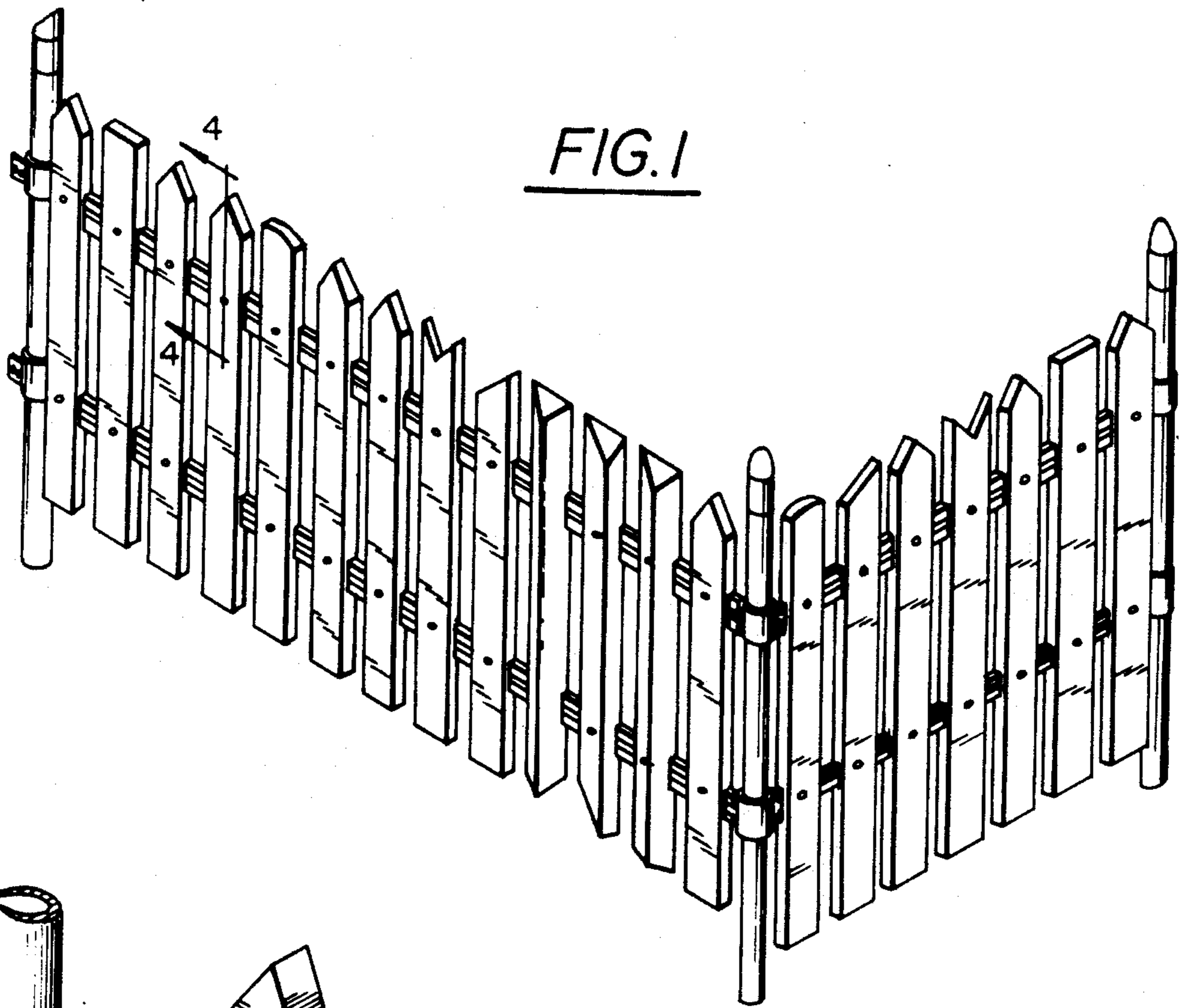


FIG. 1

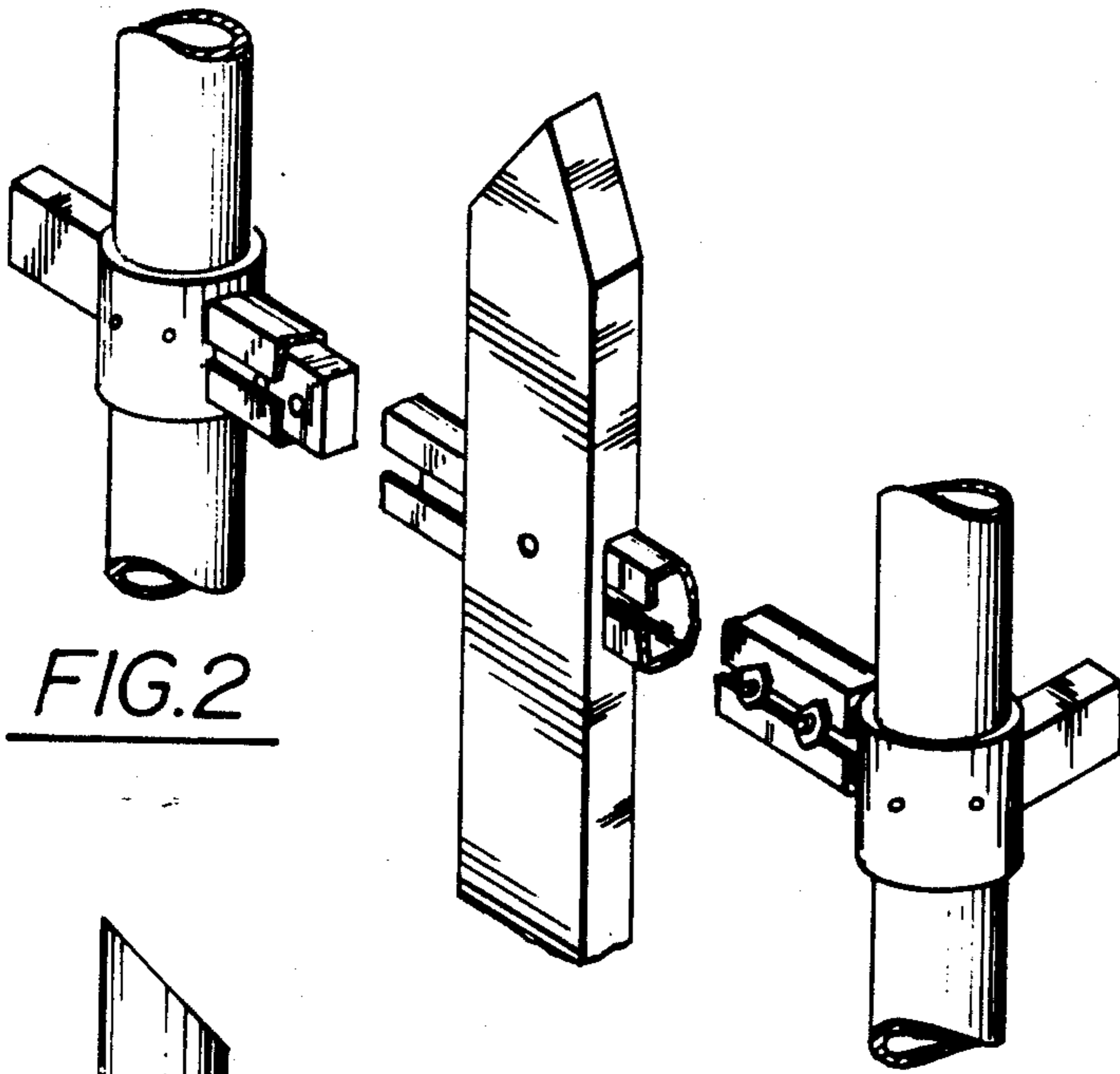


FIG. 2

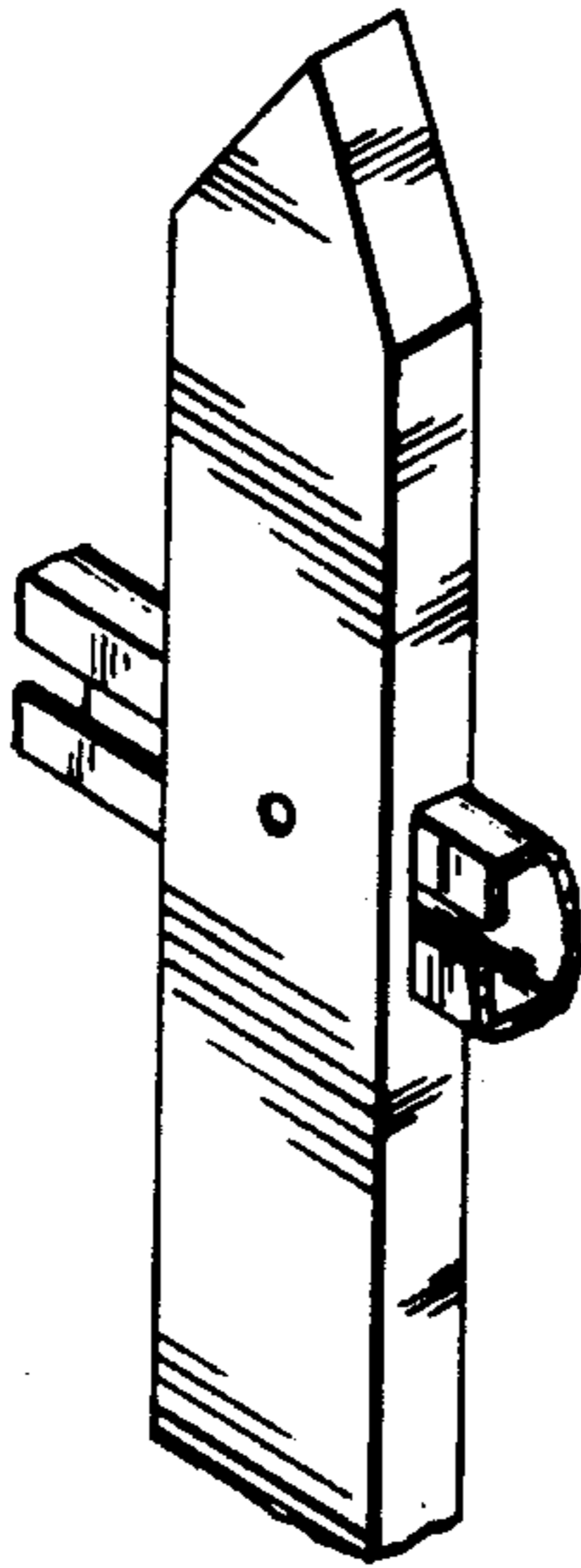


FIG. 3

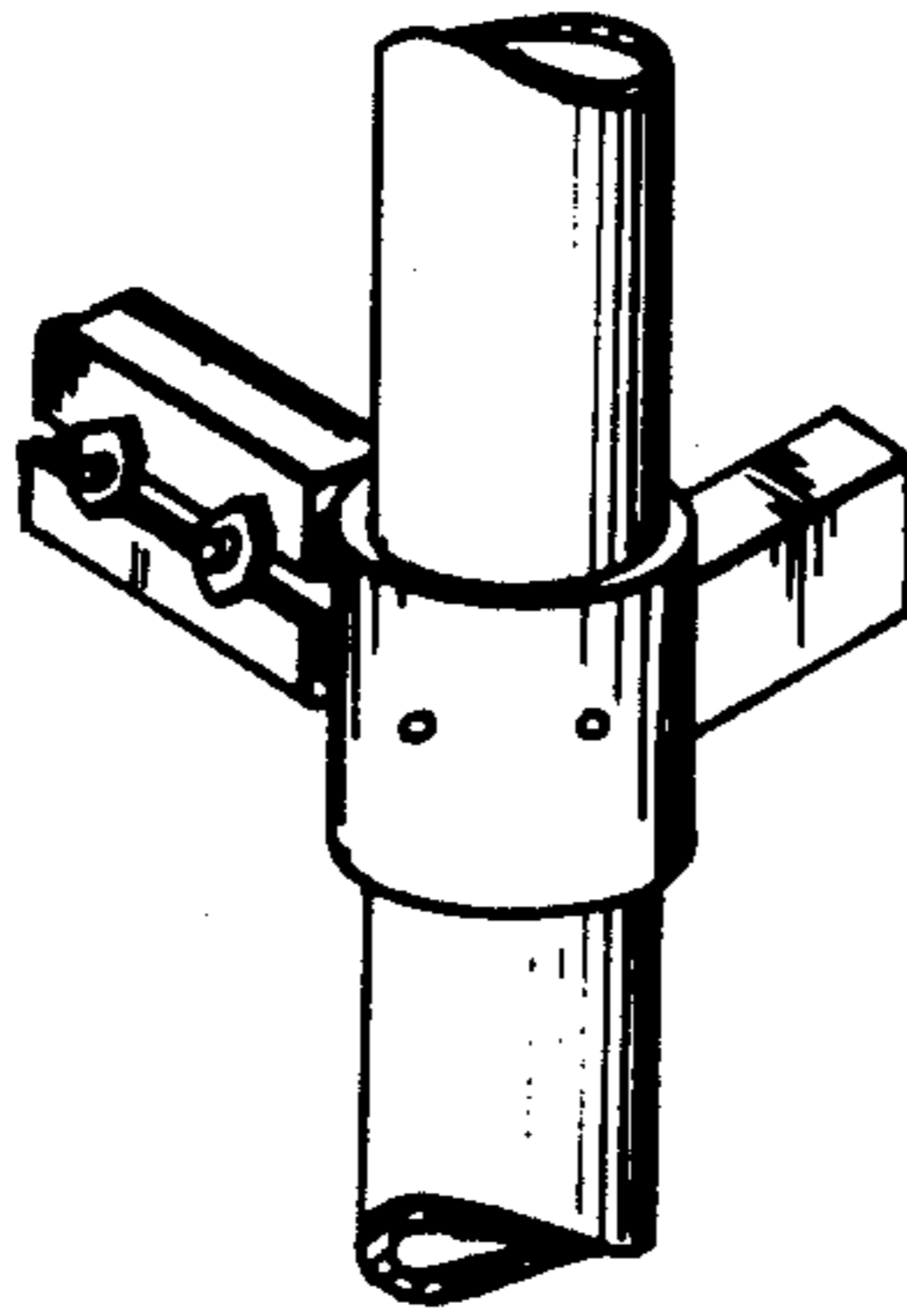


FIG. 4

