

[54] HOME HEATER

[76] Inventor: Friedrich W. Heine, 577 Garfield,
P.O. Box 10924, Eugene, Oreg.
97401

[**] Term: 14 Years

[21] Appl. No.: 845,152

[22] Filed: Oct. 25, 1977

[51] Int. Cl. D23-03

[52] U.S. Cl. D23/97

[58] Field of Search D23/72, 92, 93, 97;
126/99 R, 114, 58, 60, 61, 62, 63, 64, 65, 66

[56] References Cited

U.S. PATENT DOCUMENTS

D. 238,949 2/1976 Giovagnoli D23/93

D. 247,046 1/1978 Bader D23/93
4,078,541 3/1978 Roycraft 126/99 R

Primary Examiner—Wallace R. Burke
Assistant Examiner—Catherine Kemper
Attorney, Agent, or Firm—Kenneth S. Klarquist

[57] CLAIM

The ornamental design for a home heater, as shown.

DESCRIPTION

FIG. 1 is a perspective view of a home heater showing my new design;

FIG. 2 is a top plan view thereof;

FIG. 3 is a side elevational view thereof;

FIG. 4 is a front elevational view thereof;

FIG. 5 is a rear elevational view thereof;

FIG. 6 is a side elevational view thereof; and

FIG. 7 is a bottom plan view thereof.

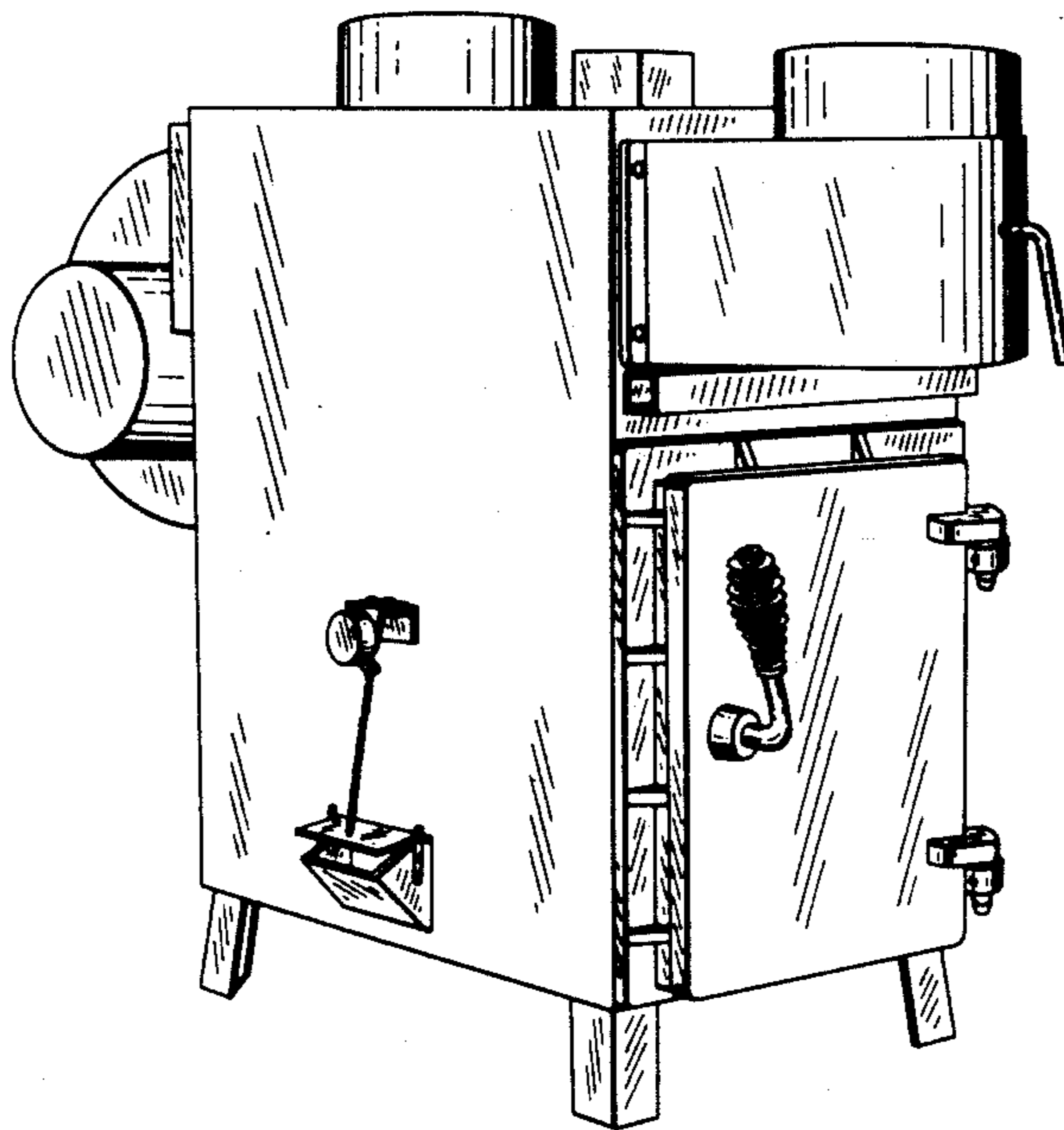


FIG. 1

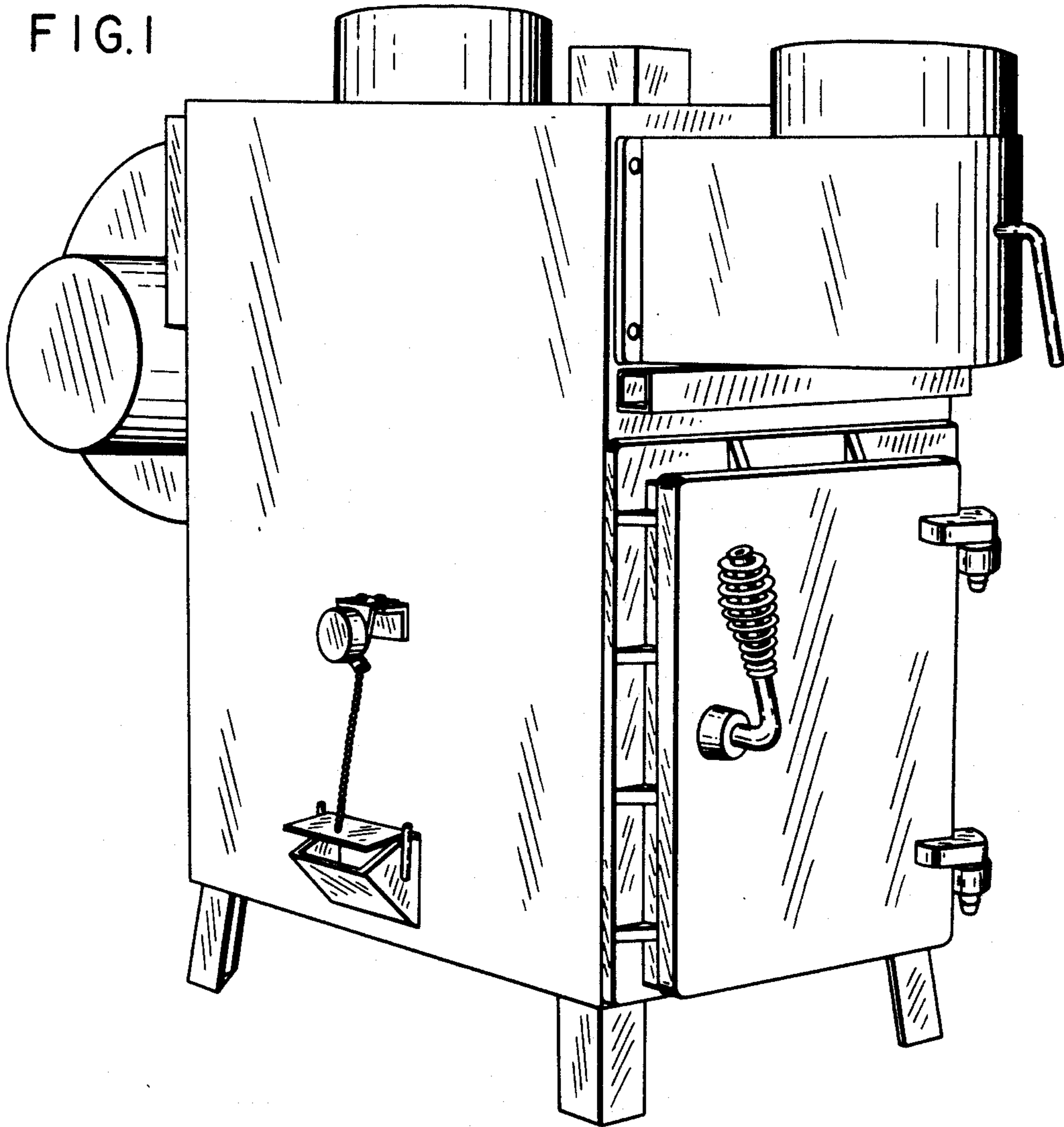
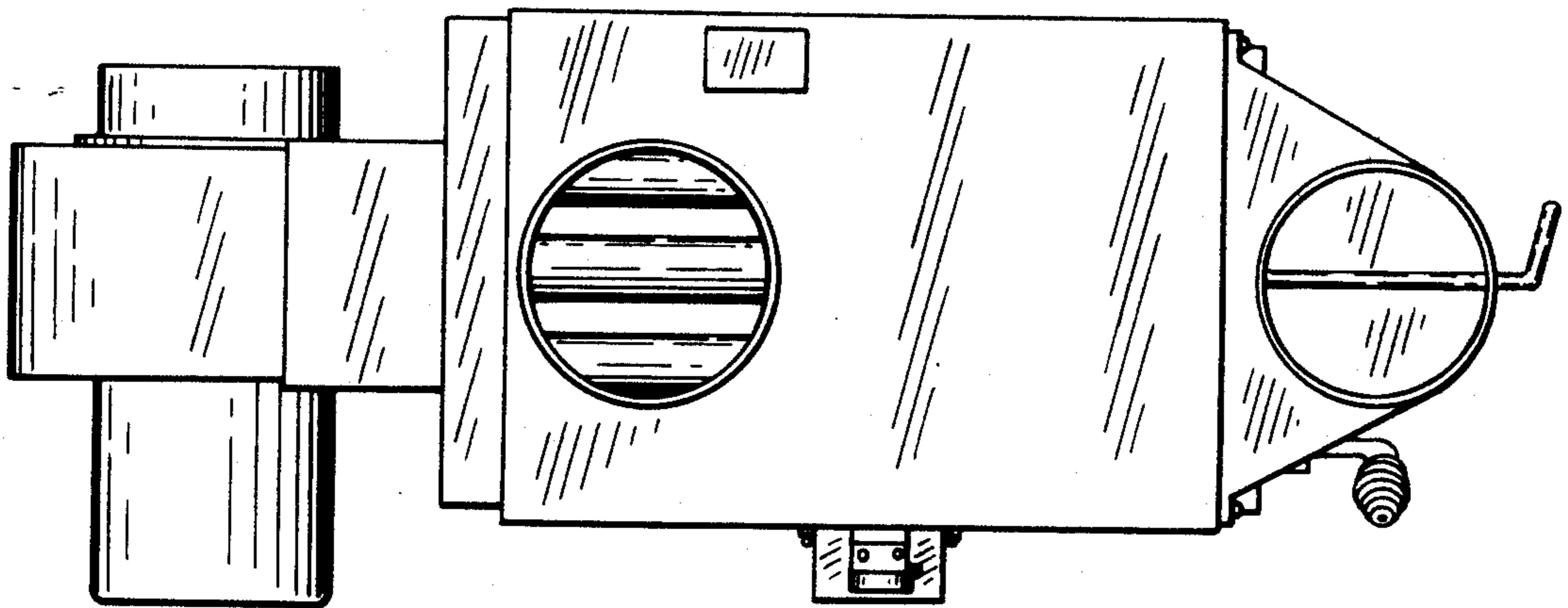


FIG. 2



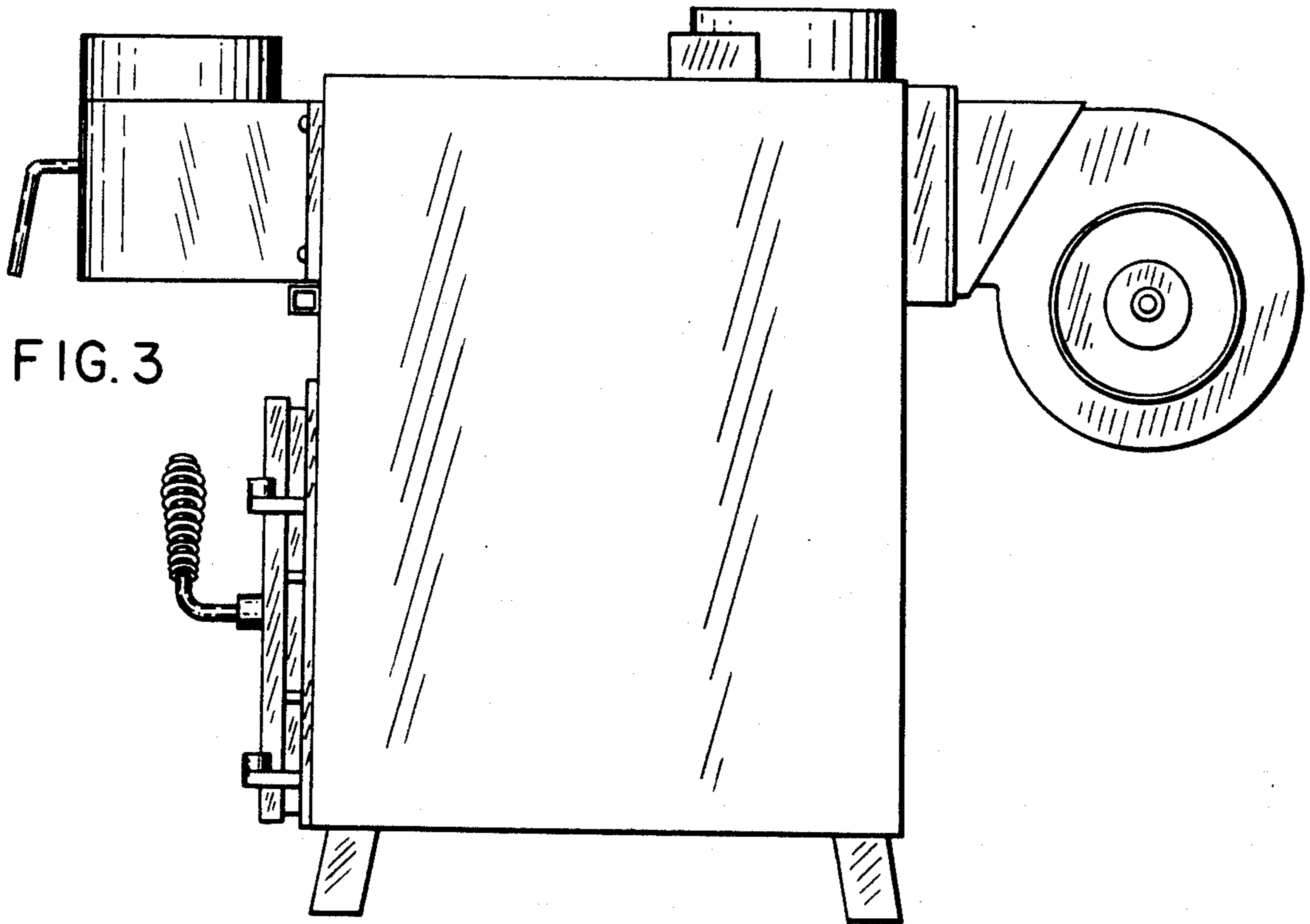


FIG. 3

FIG. 4

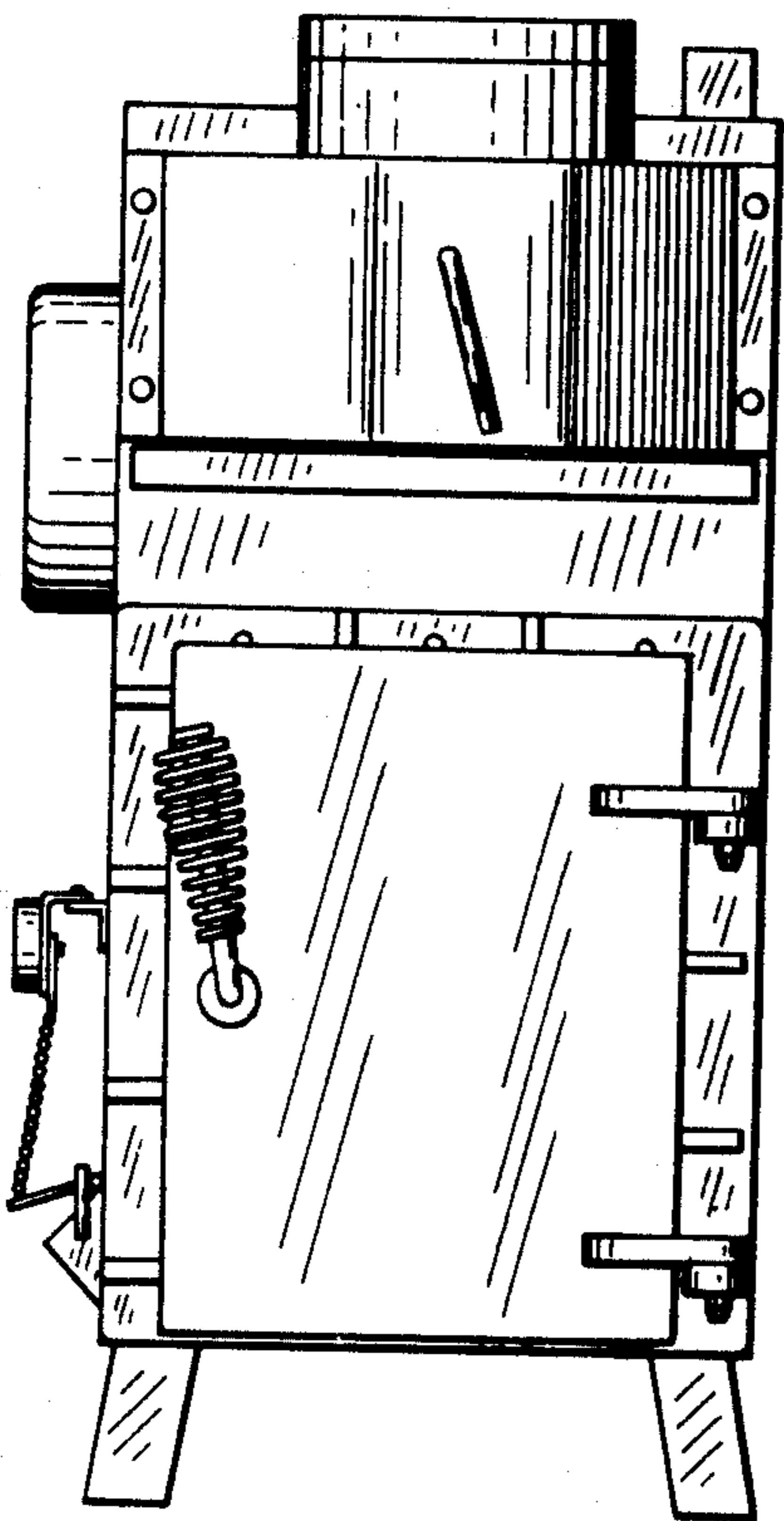
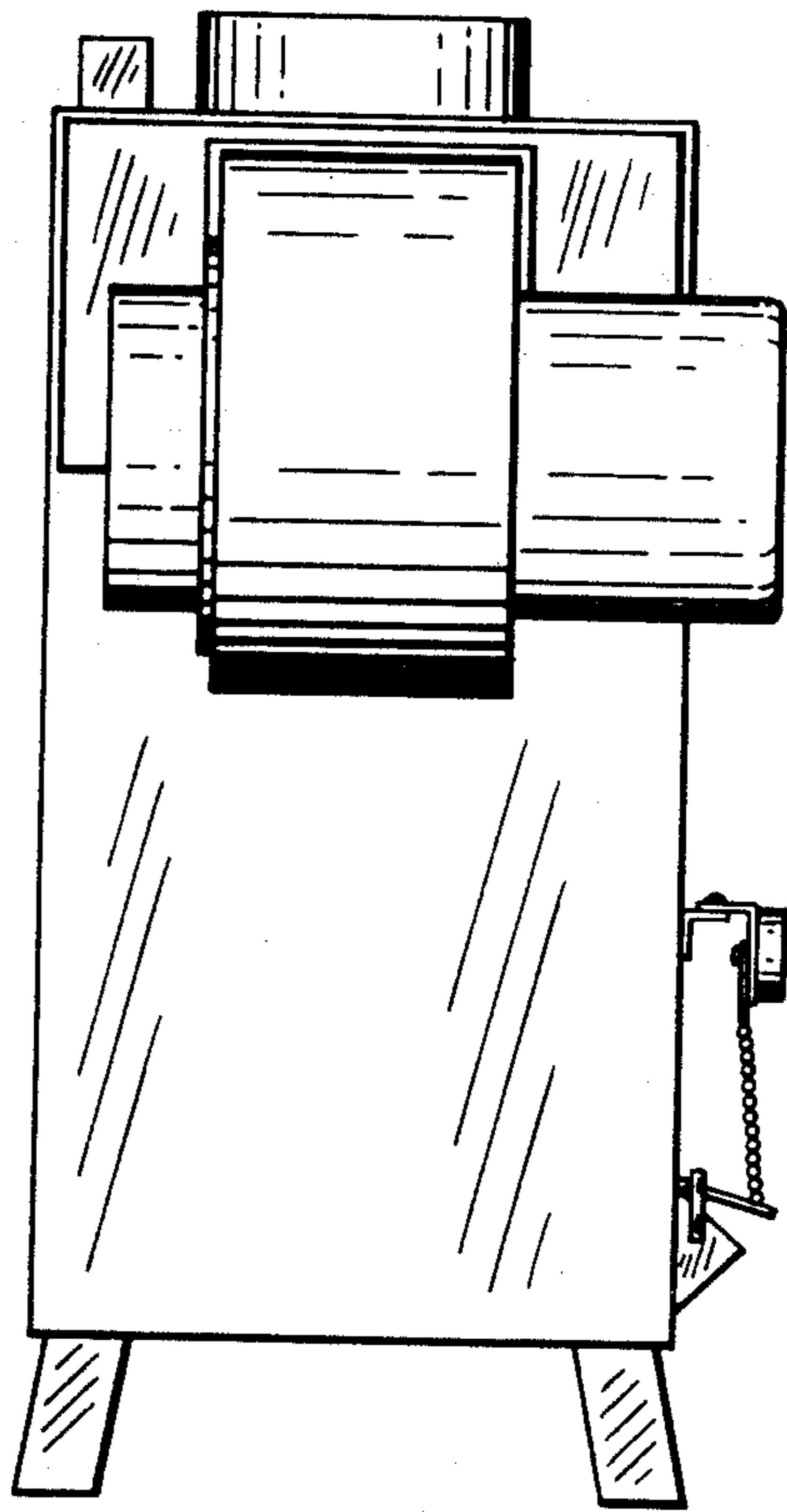


FIG. 5



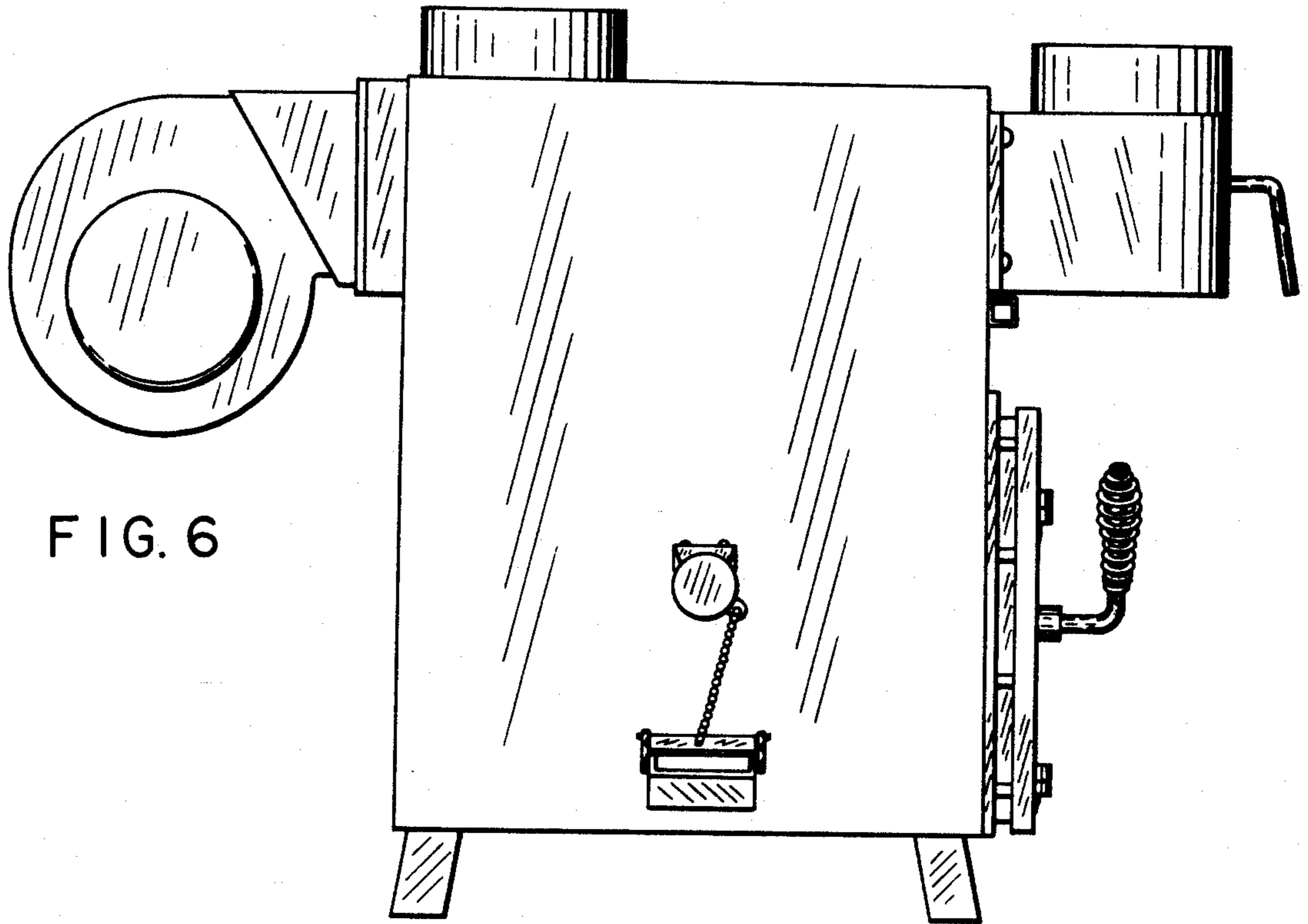


FIG. 7

