

[54] **WATER DAM FOR A FLUSH TANK**

[76] Inventor: **Richard E. Baron**, 14439 N. 73rd St.,  
Scottsdale, Ariz. 85260

[\*\*] Term: **14 Years**

[21] Appl. No.: **796,762**

[22] Filed: **May 13, 1977**

[51] Int. Cl. .... **D23-02**

[52] U.S. Cl. .... **D23/69; 4/415**

[58] Field of Search .... **D23/40-47,**  
**D23/69-70; 4/183, 415**

[56]

**References Cited**

**U.S. PATENT DOCUMENTS**

1,817,330	8/1931	Wilson .....	4/183
2,109,089	2/1938	Moyes .....	4/183

2,203,052	6/1946	Hanson .....	4/183
3,812,544	5/1974	Risley .....	4/415
4,009,497	3/1977	Moon .....	4/415
4,080,667	3/1978	Walsh et al. ....	4/415

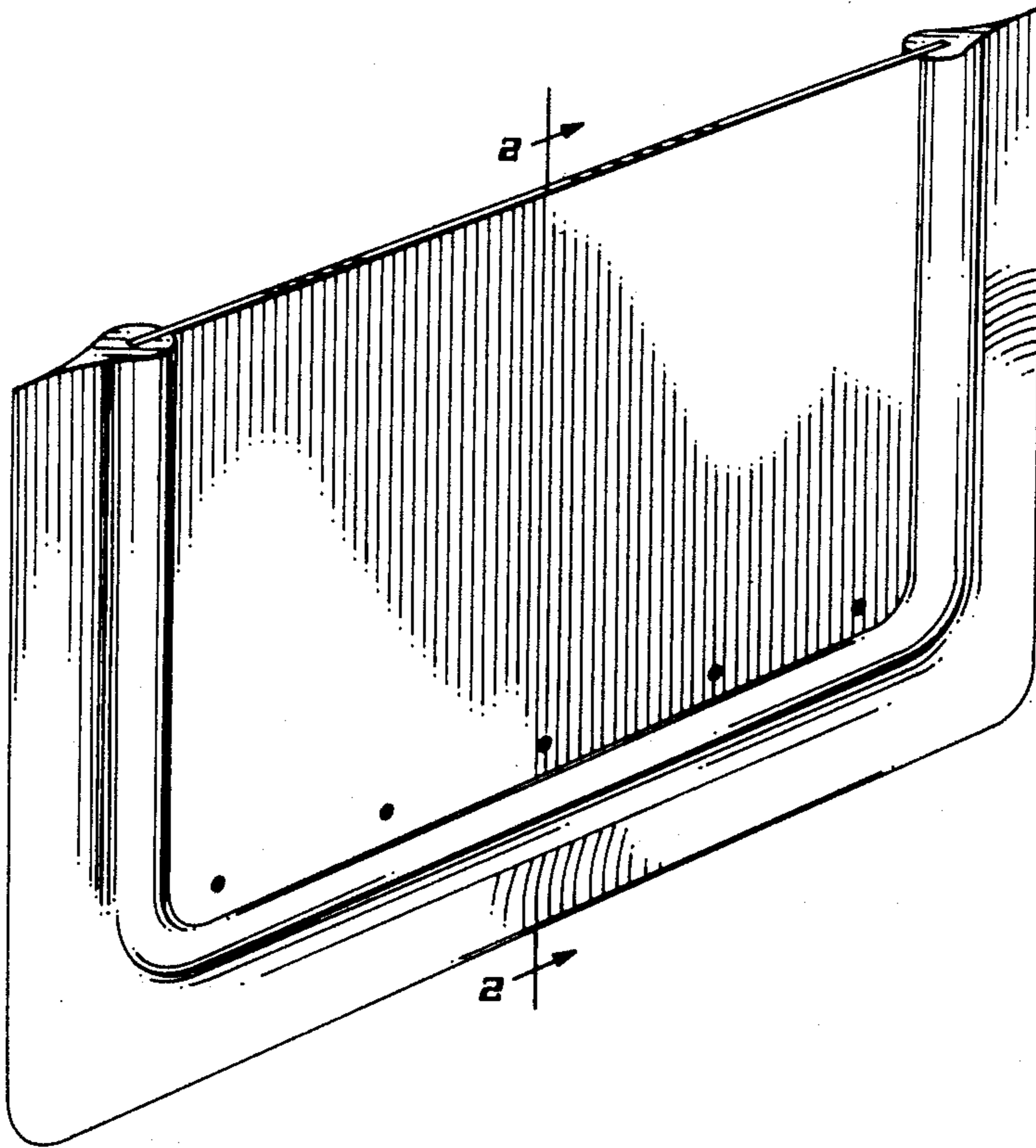
*Primary Examiner*—James R. Largen  
*Attorney, Agent, or Firm*—William C. Cahill

[57] **CLAIM**

The ornamental design for a water dam for a flush tank, as shown and described.

**DESCRIPTION**

FIG. 1 is a front perspective view of a water dam for a flush tank showing my new design; FIG. 2 is a cross sectional view taken on line 2-2 of FIG. 1; FIG. 3 is a rear perspective view thereof; and FIG. 4 is a top plan view thereof with a portion omitted for convenience of illustration.



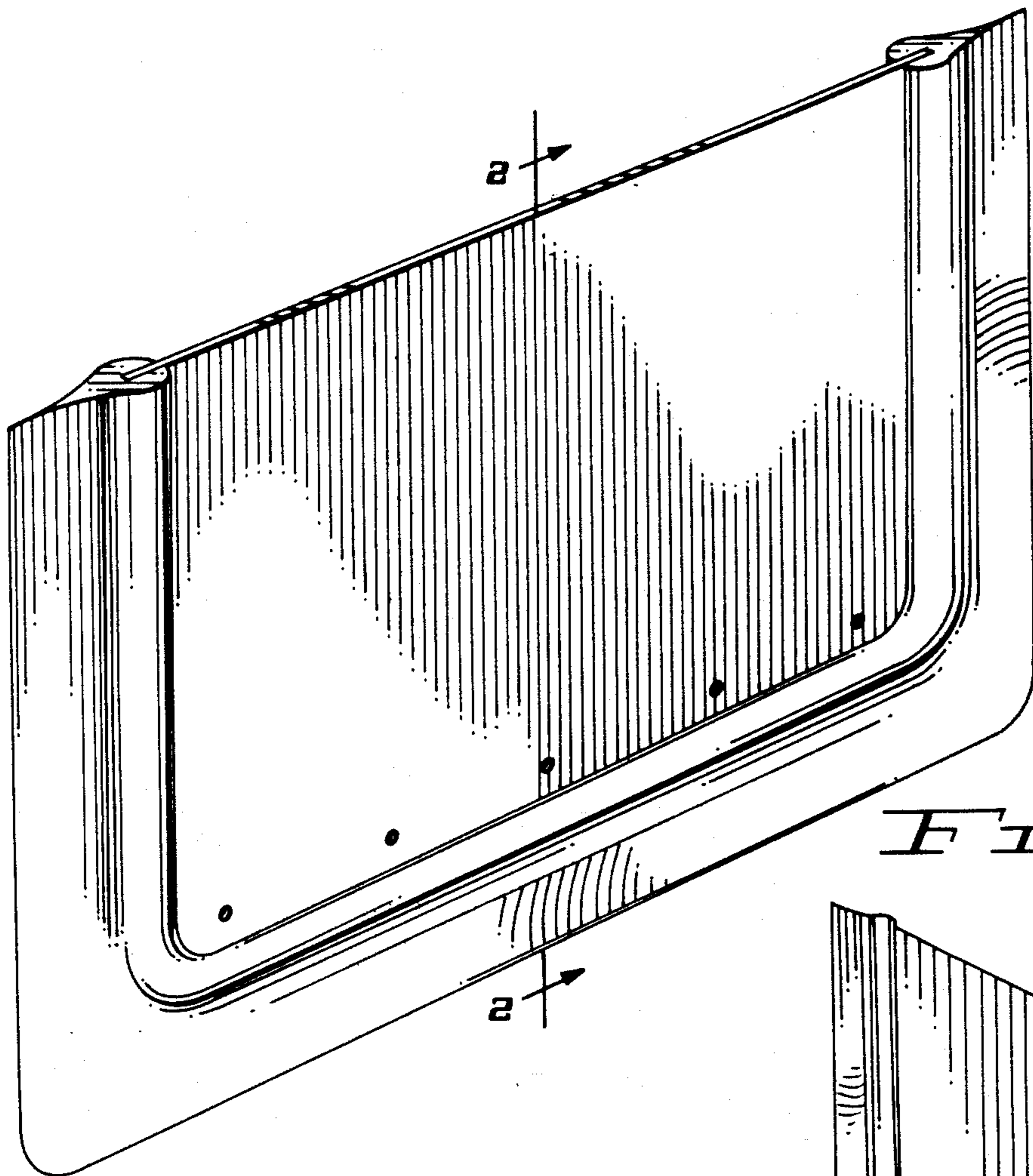


FIG. 1

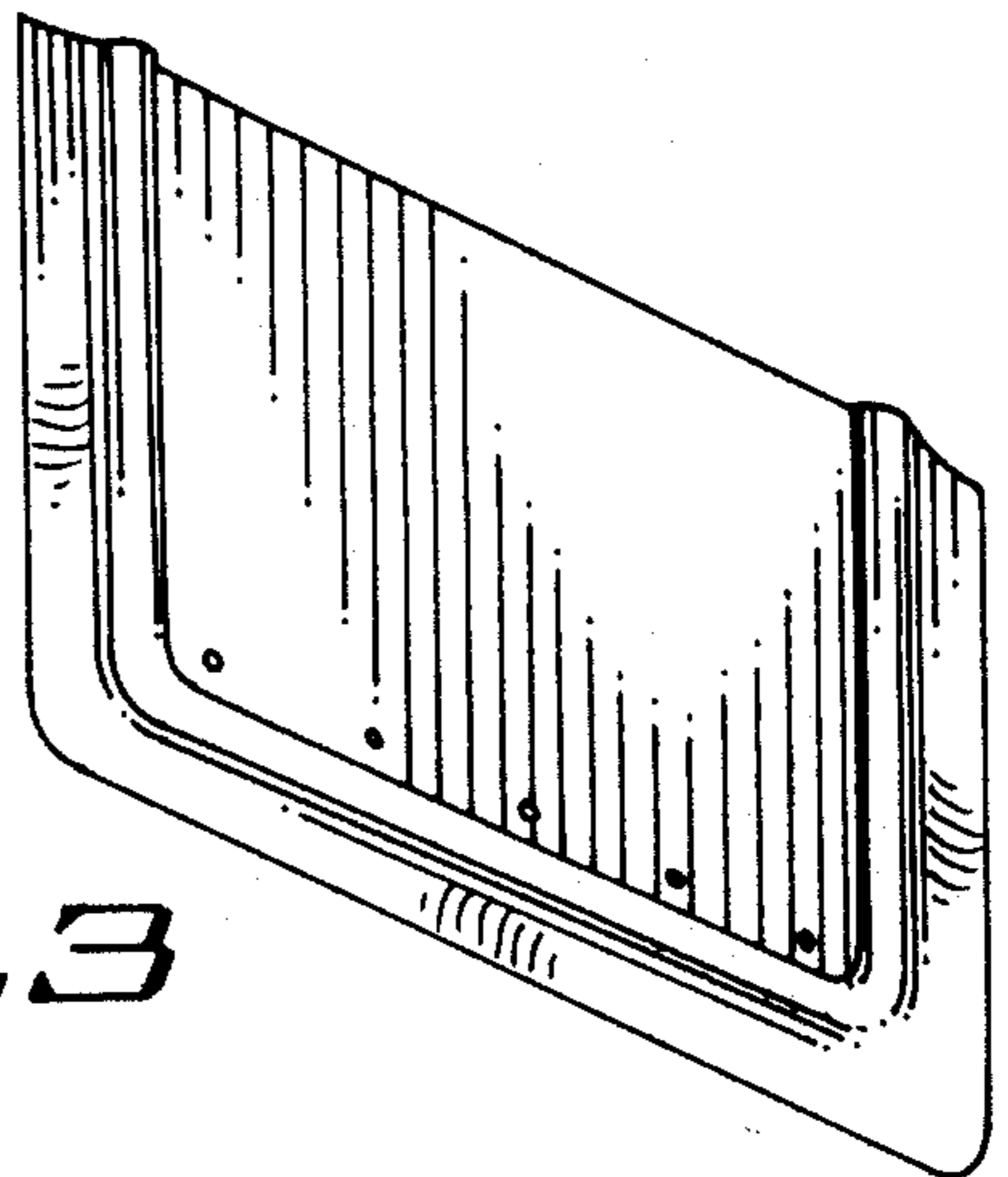


FIG. 3

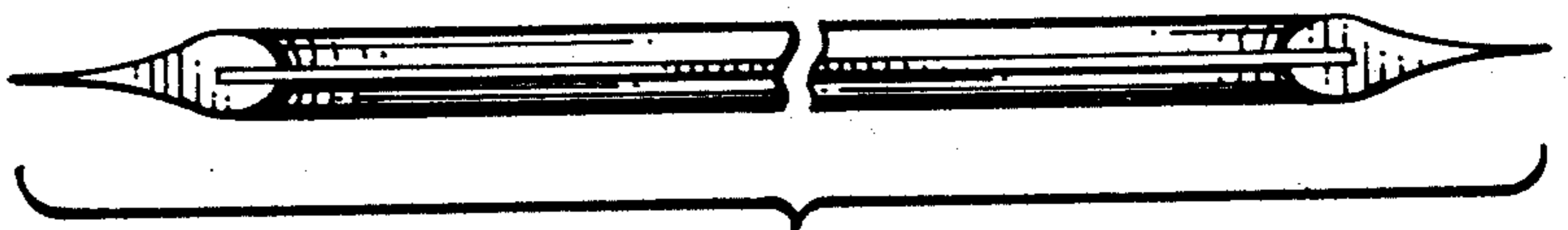


FIG. 4



FIG. 2