

[54] DESK FILE

[76] Inventor: Clifford P. Heintz, 33-33 Lakeside Dr., Bristol, Conn. 06010

[**] Term: 14 Years

[21] Appl. No.: 814,403

[22] Filed: Jul. 11, 1977

[51] Int. Cl. D19-02

[52] U.S. Cl. D19/90; D6/157; D6/175; D6/189; D19/91

[58] Field of Search D87/1 R; D19/75, 86, D19/90-92; 211/10-11; 312/117, 126; D6/175, 157, 169, 173, 189; 220/23.4, 22

[56] References Cited

U.S. PATENT DOCUMENTS

D. 168,532 1/1953 Carlson D6/189

D. 244,656 6/1977 Lawson D6/173
3,703,326 11/1972 Riviers 312/117

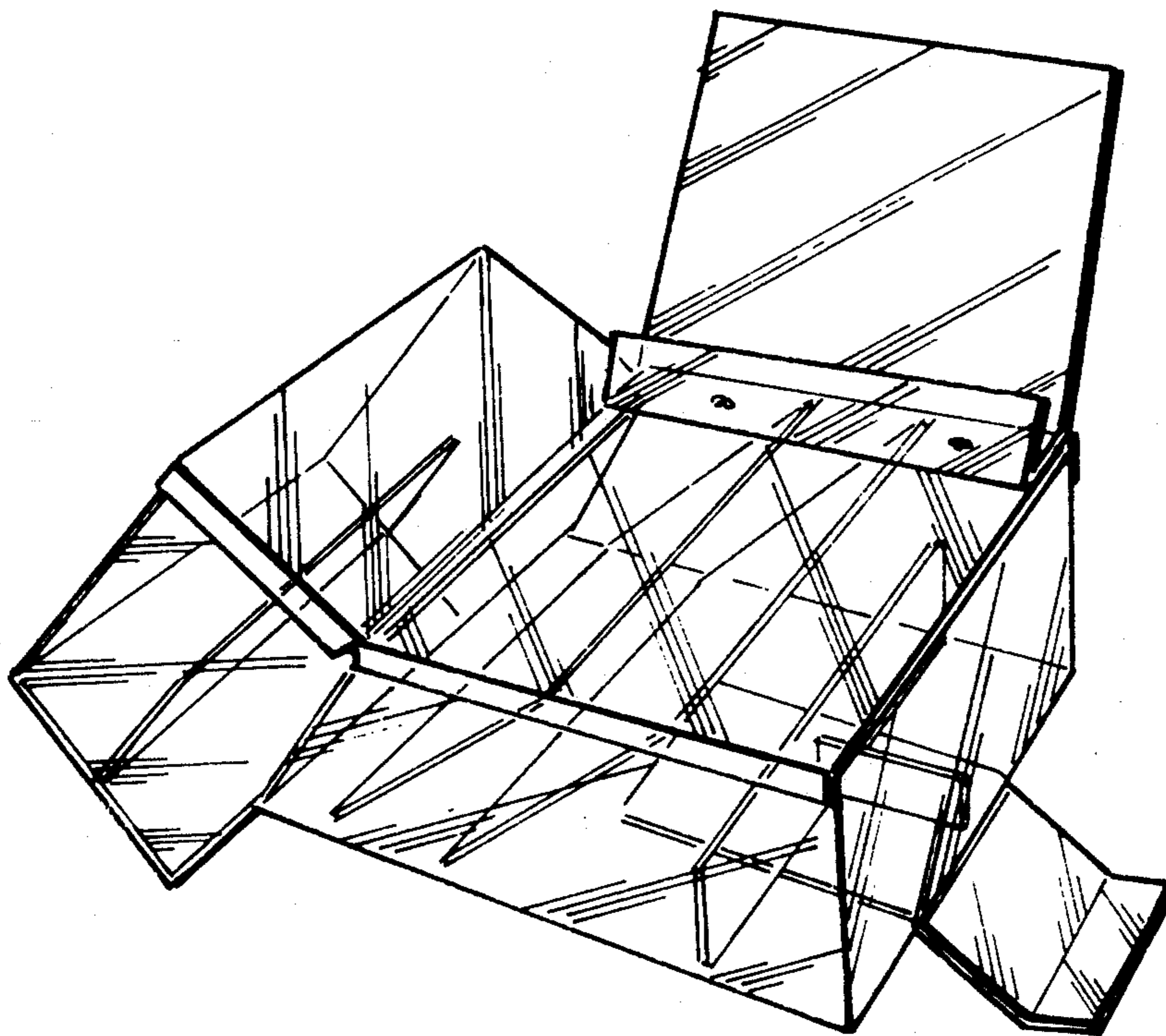
Primary Examiner—Joel Stearman
Assistant Examiner—George P. Word
Attorney, Agent, or Firm—Edwin T. Grimes

[57] CLAIM

The ornamental design for an desk file, as shown and described.

DESCRIPTION

FIG. 1 is a perspective view of a desk file showing my new design;
FIG. 2 is an enlarged scale front elevational view;
FIG. 3 is a left side elevational view thereof;
FIG. 4 is a rear elevational view thereof;
FIG. 5 is a right side elevational view thereof;
FIG. 6 is a top plan view thereof; and
FIG. 7 is a bottom plan view thereof.



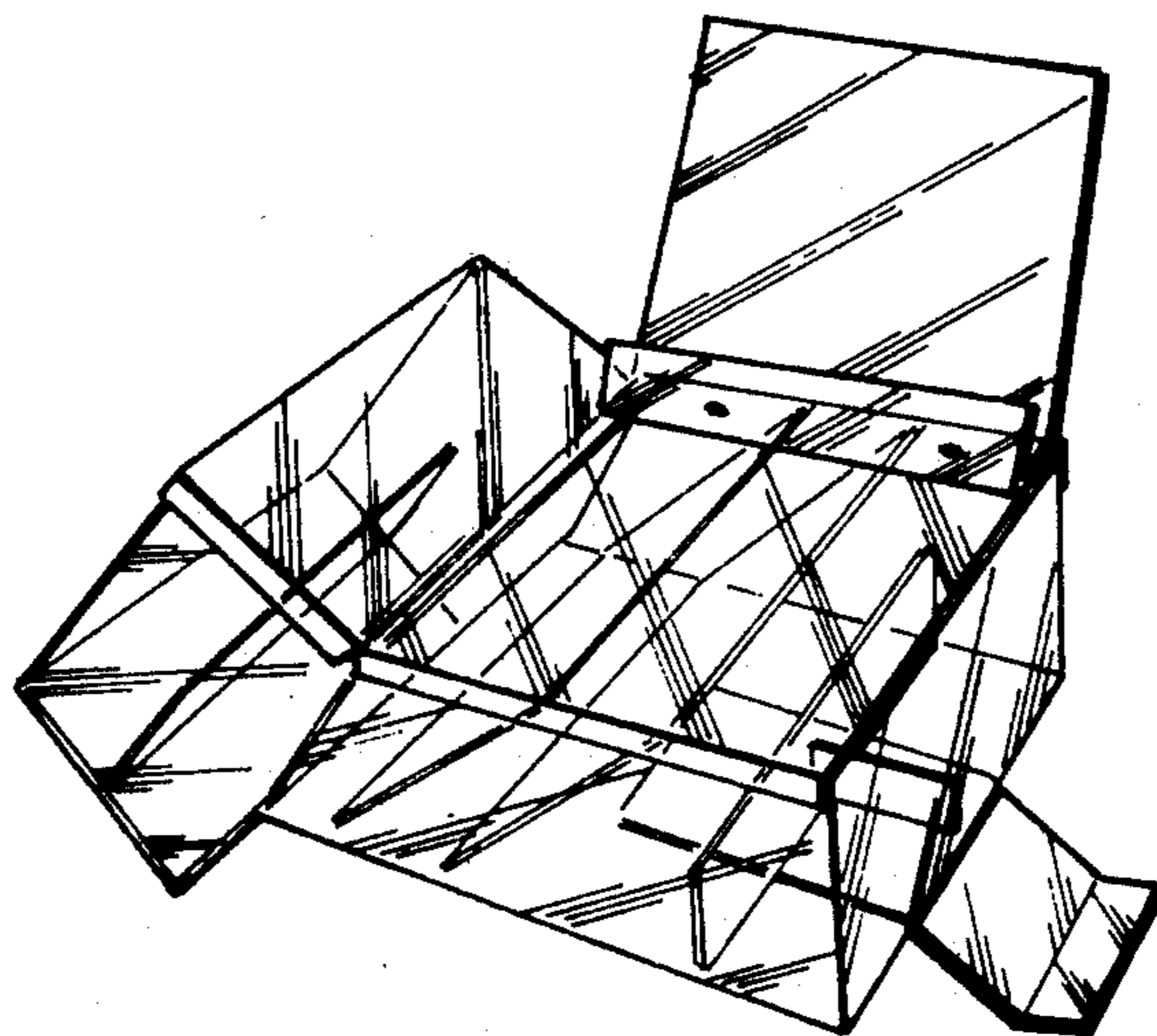


FIG. 1

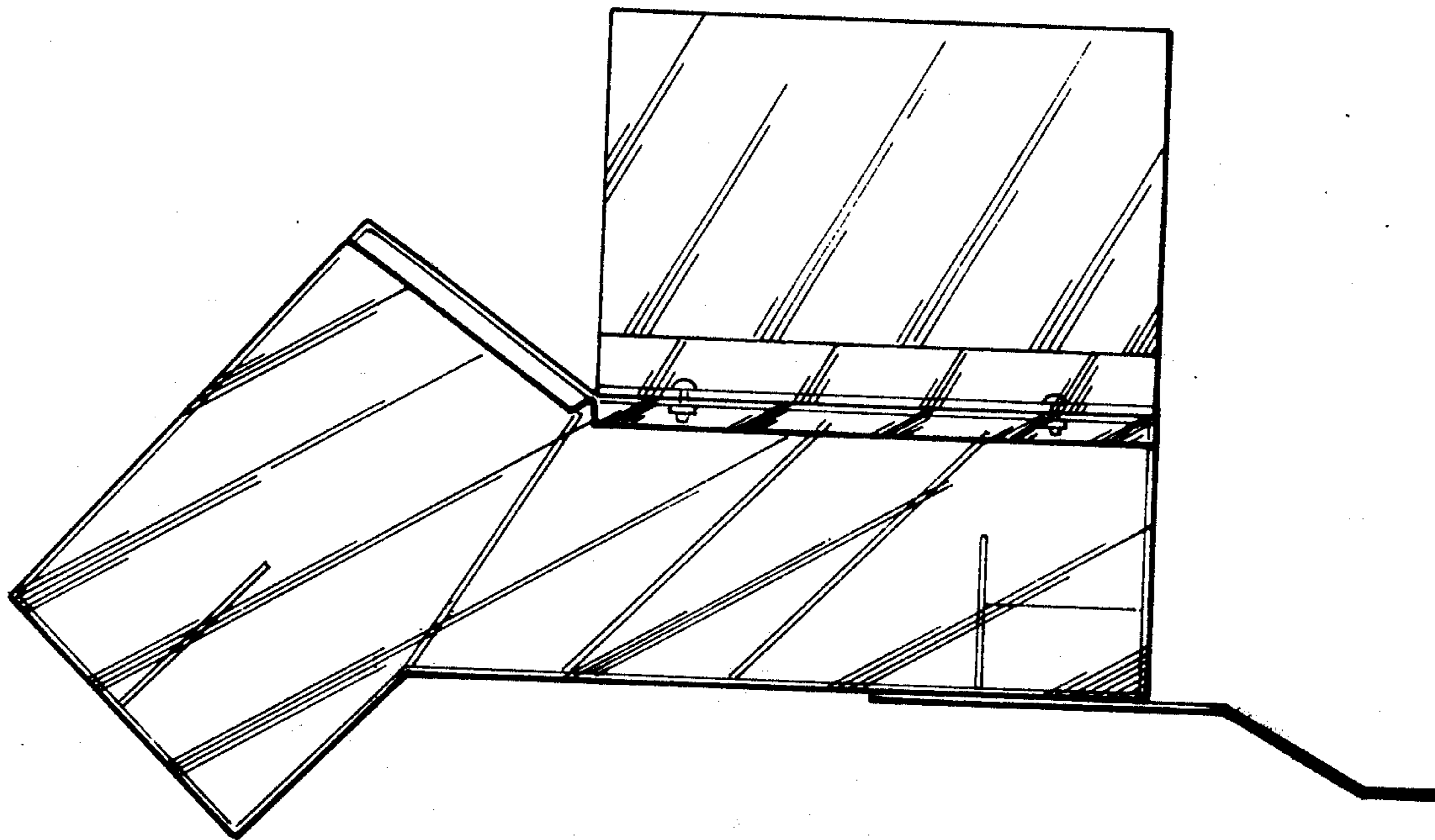
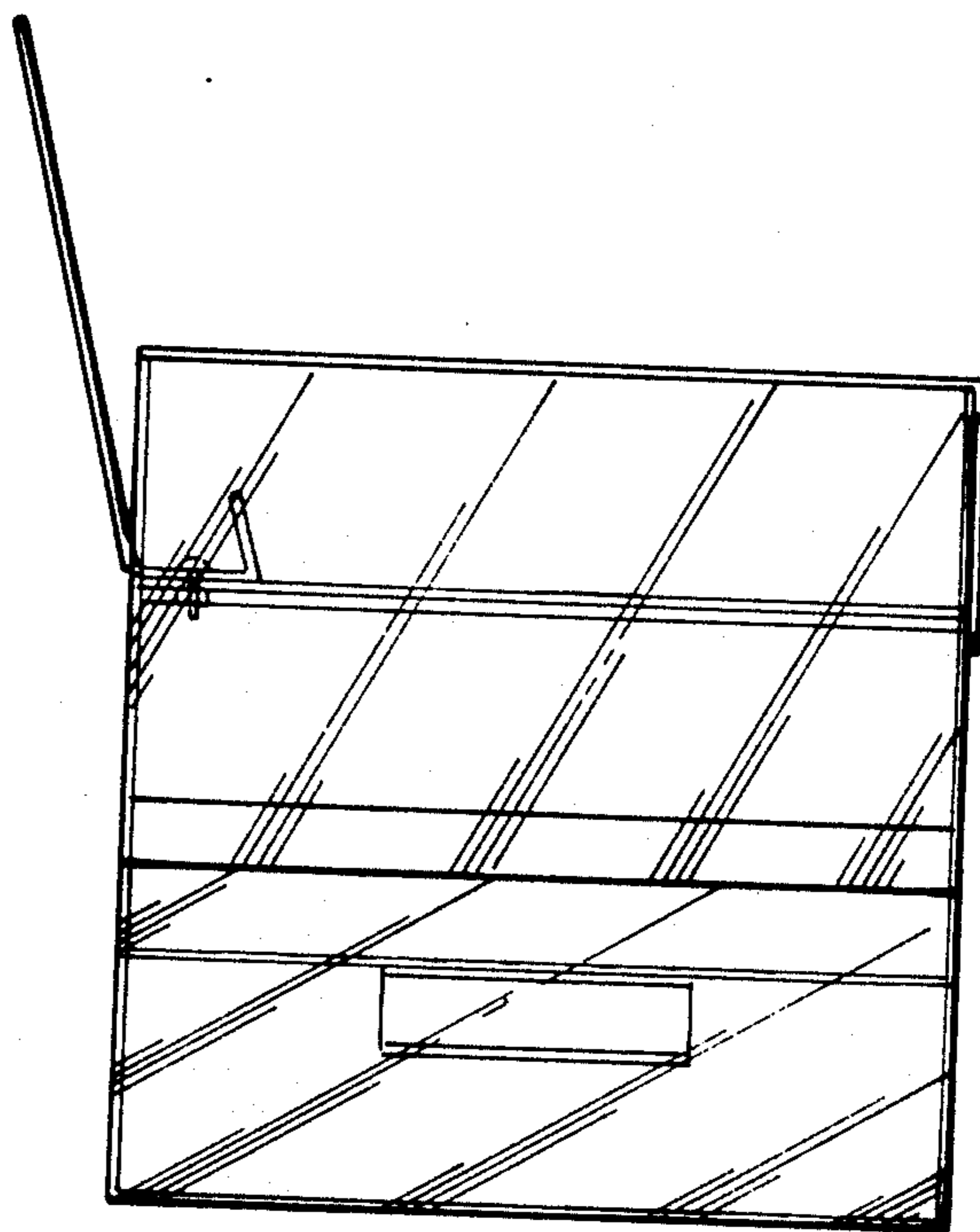


FIG. 2

FIG. 3



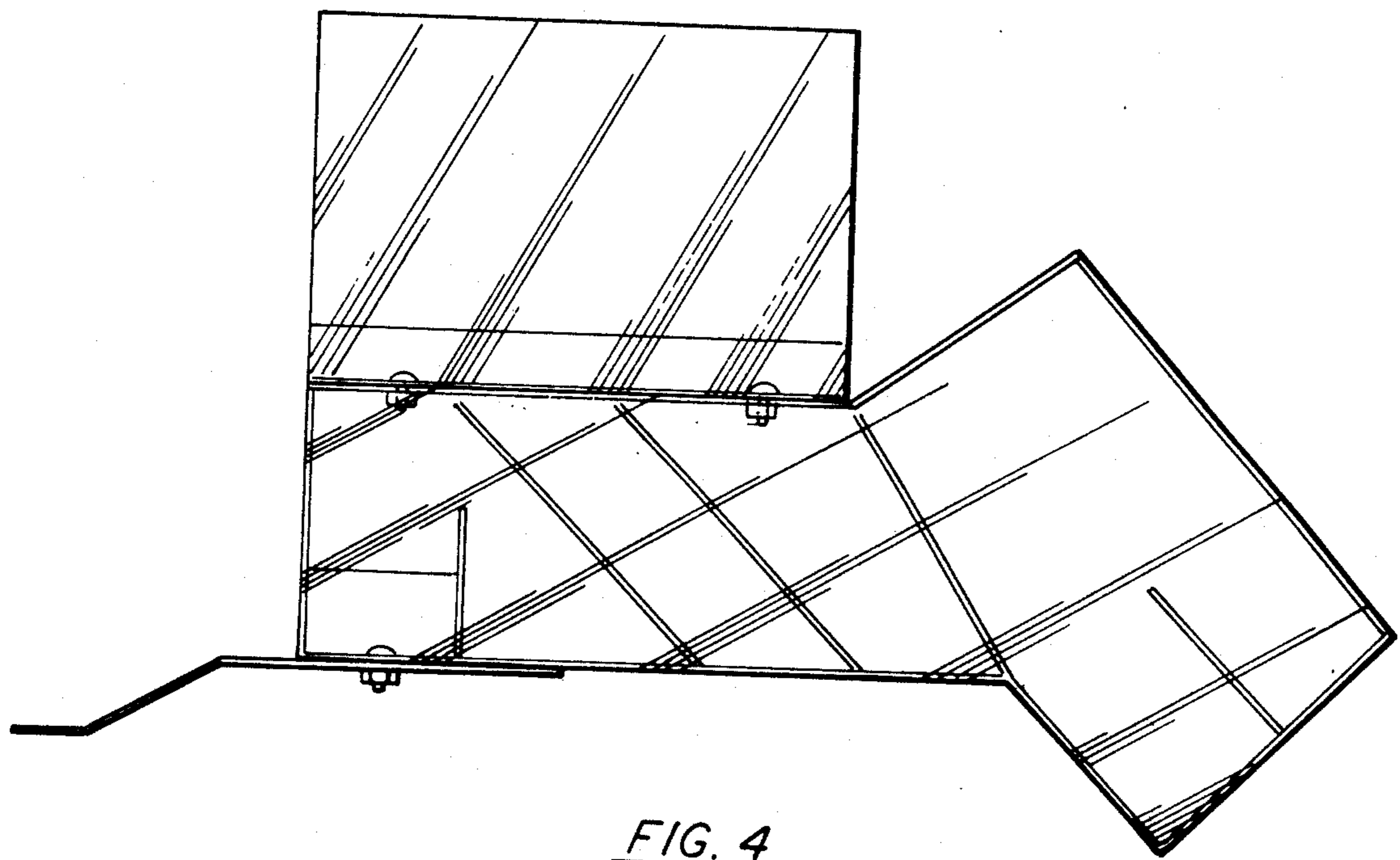


FIG. 4

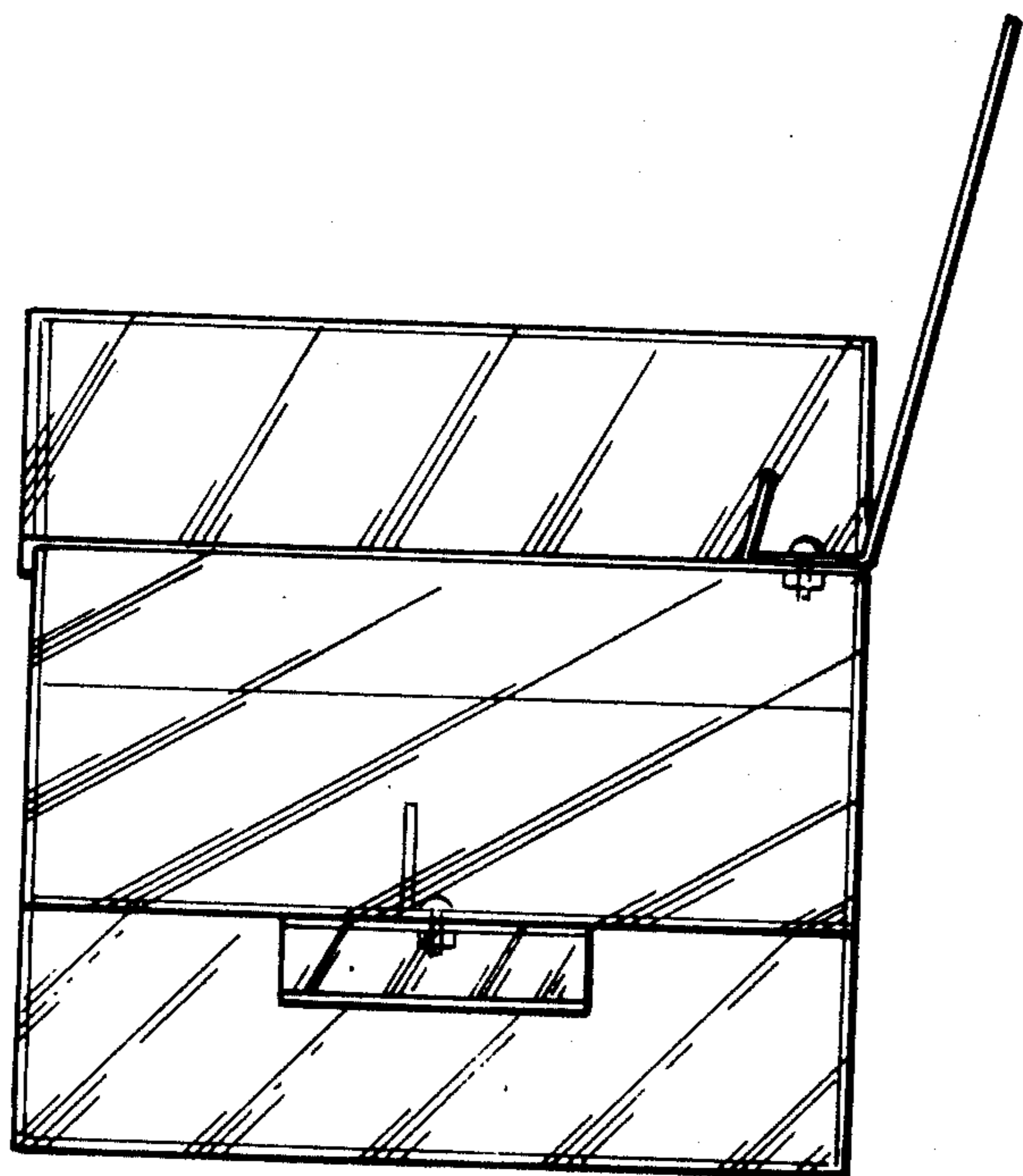


FIG. 5

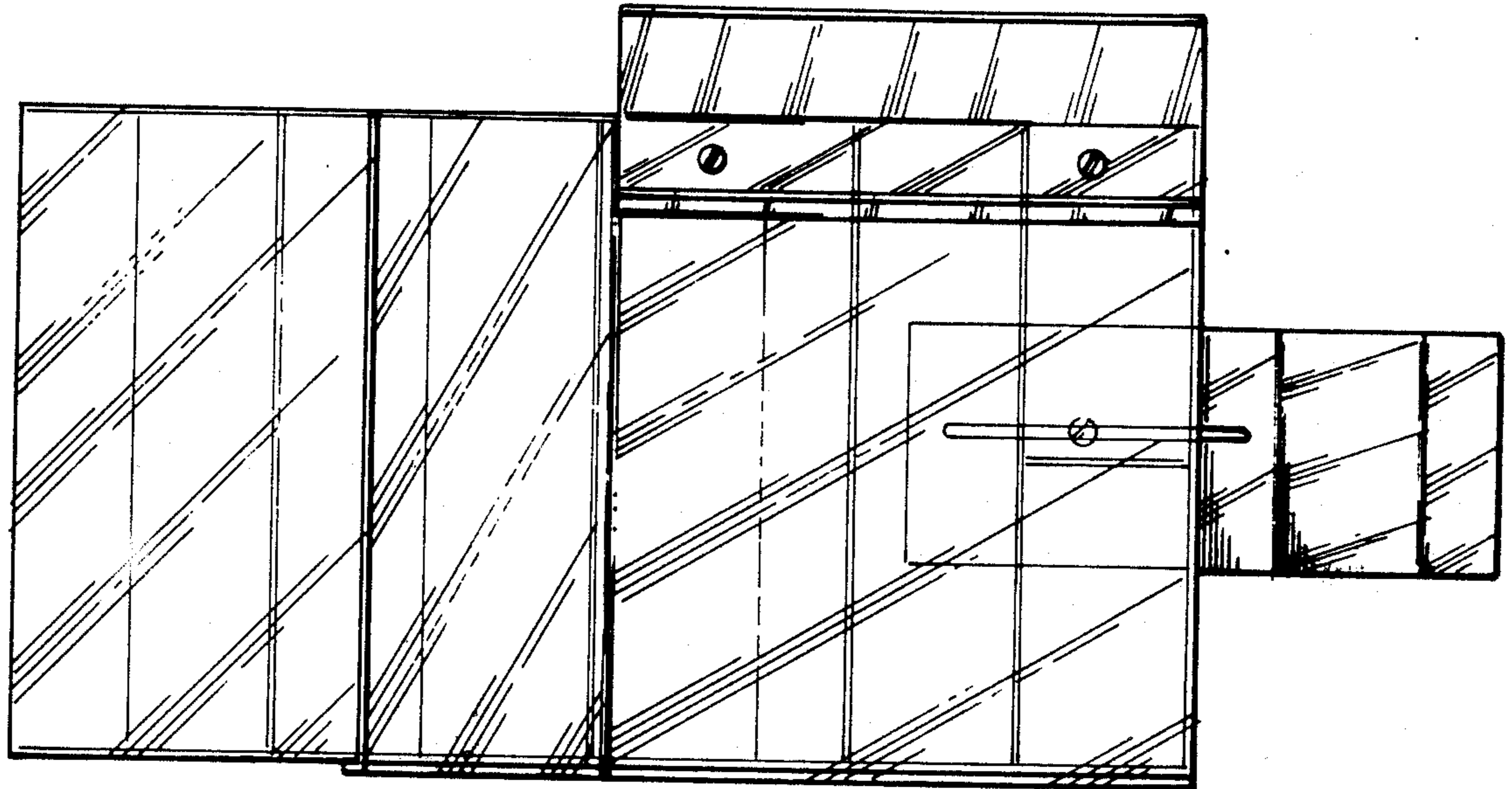


FIG. 6

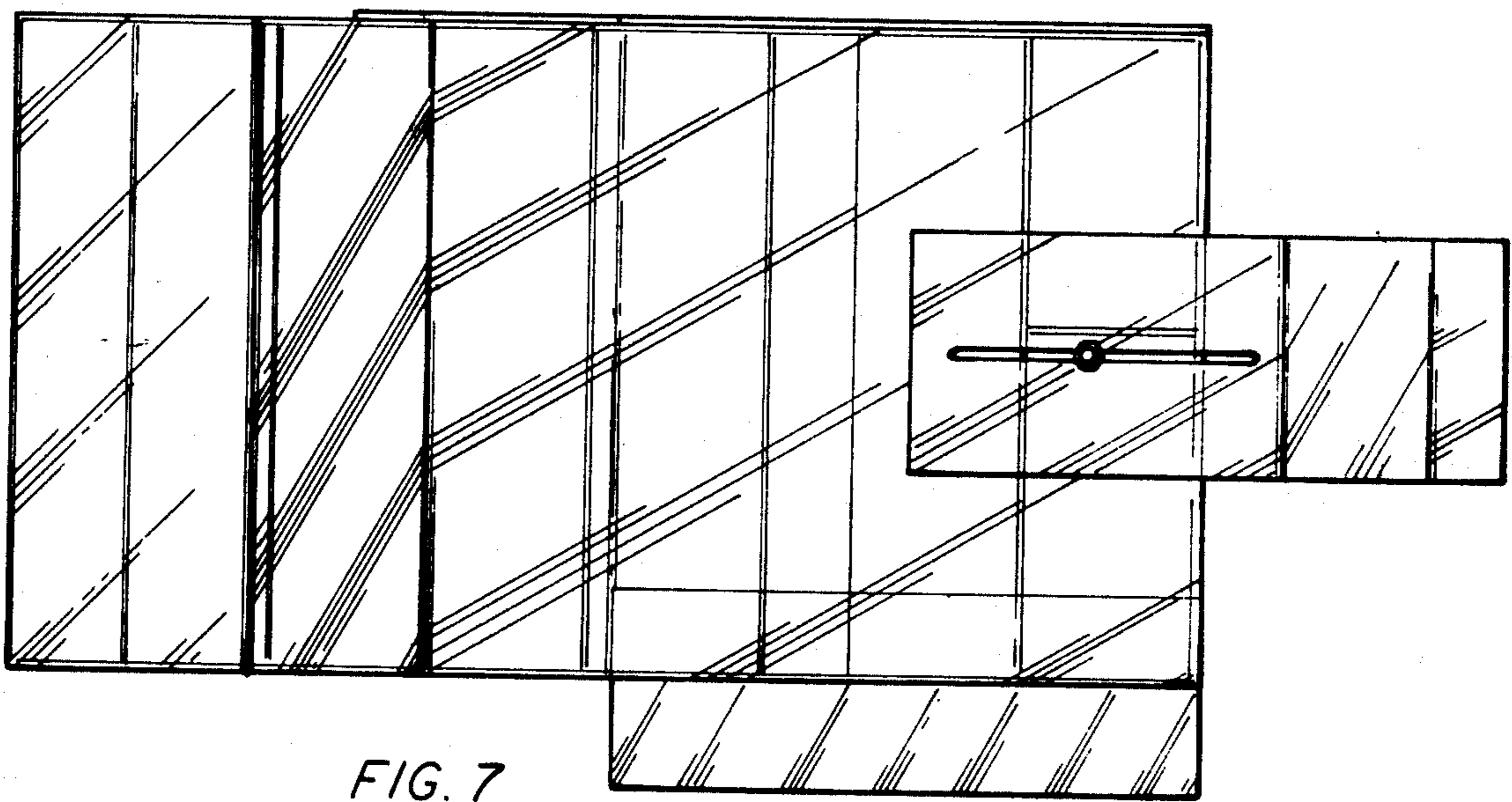


FIG. 7