

[54] BORING BAR HOUSING

[76] Inventor: Ernest E. Grimsley, 4533 Wake  
Forest Rd., Portsmouth, Va. 23703

[\*\*] Term: 14 Years

[21] Appl. No.: 775,282

[22] Filed: Feb. 23, 1977

[51] Int. Cl. .... D15-99

[52] U.S. Cl. .... D15/140; D15/141

[58] Field of Search ..... 408/110, 111, 112, 79,  
408/80, 81; D15/140, 141; 90/12.5

[56]

References Cited

U.S. PATENT DOCUMENTS

D. 203,001	11/1965	Bucha .....	D15/140 X
D. 239,318	3/1976	Hopper .....	D8/71
2,997,900	10/1963	Pugsley .....	408/112 X
4,011,793	3/1977	Grimsley .....	90/12.5
4,082,474	4/1978	Stiger .....	408/110

Primary Examiner—Bernard Ansher  
Attorney, Agent, or Firm—B. Franklin Griffin

[57]

CLAIM

The ornamental design for a boring bar housing, as shown.

DESCRIPTION

FIG. 1 is an isometric view of the boring bar housing;  
FIG. 2 is a front view of the boring bar housing;  
FIG. 3 is a bottom view of FIG. 2; and,  
FIG. 4 is a top view of FIG. 2.

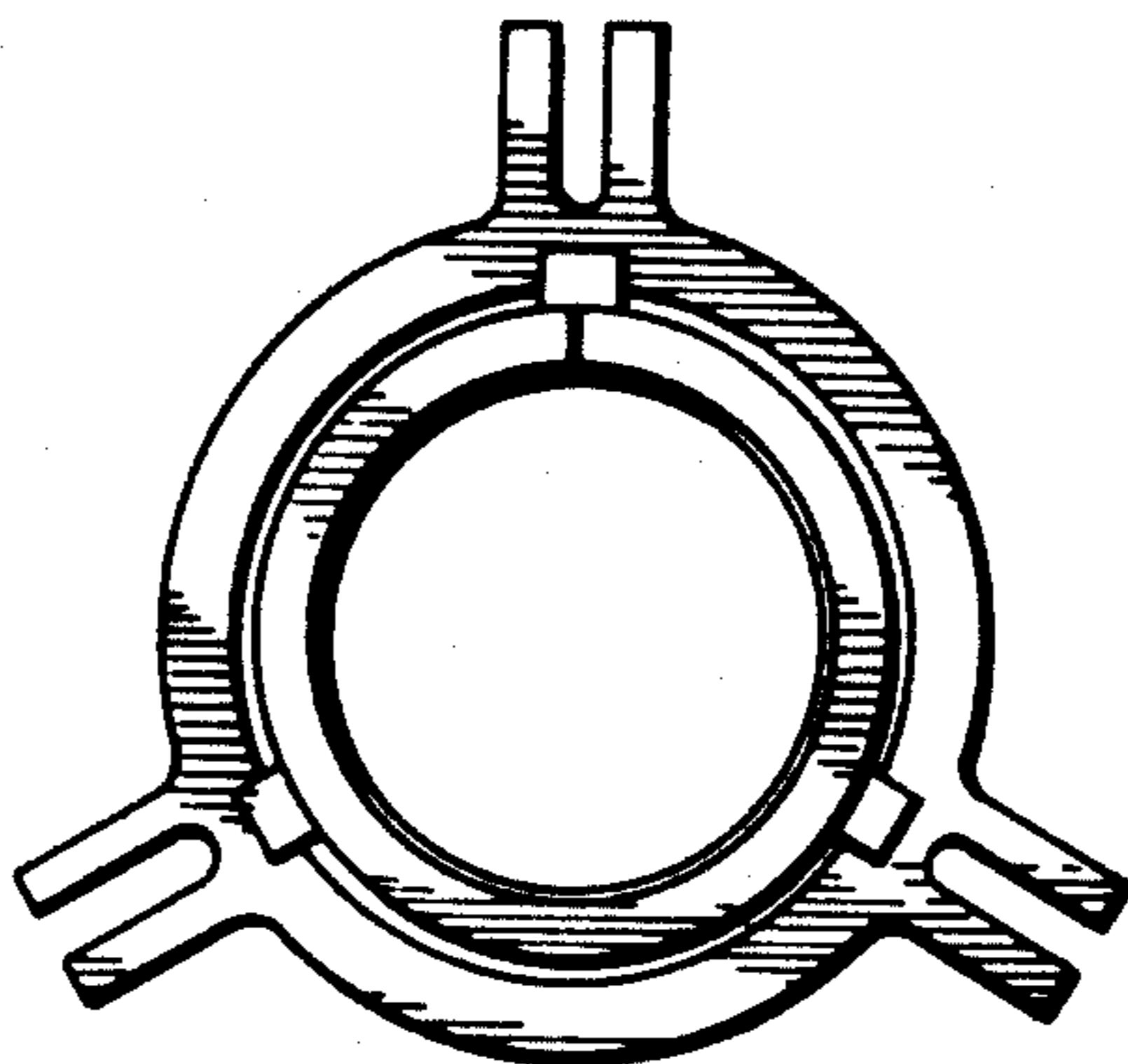
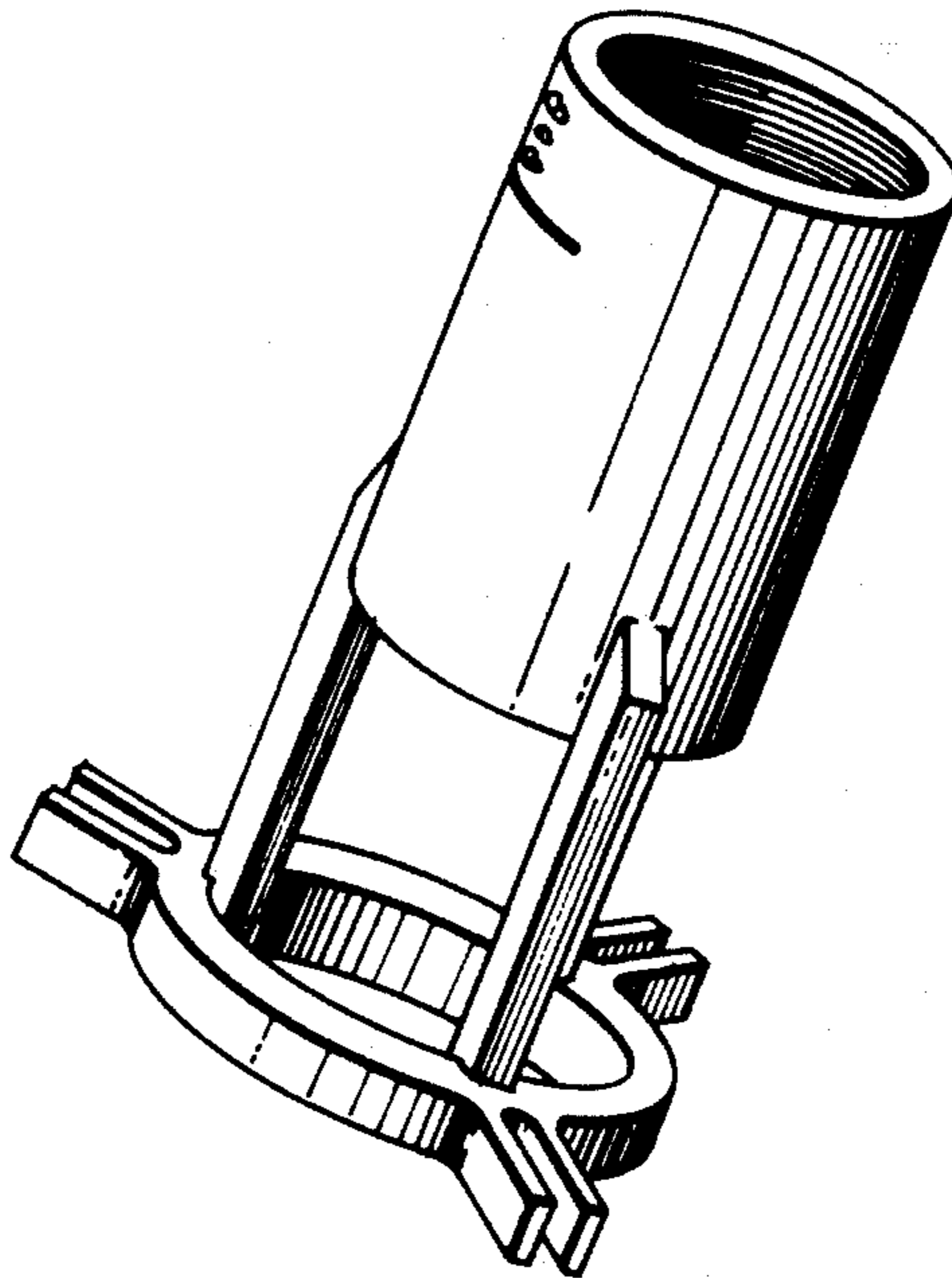


FIG. 1

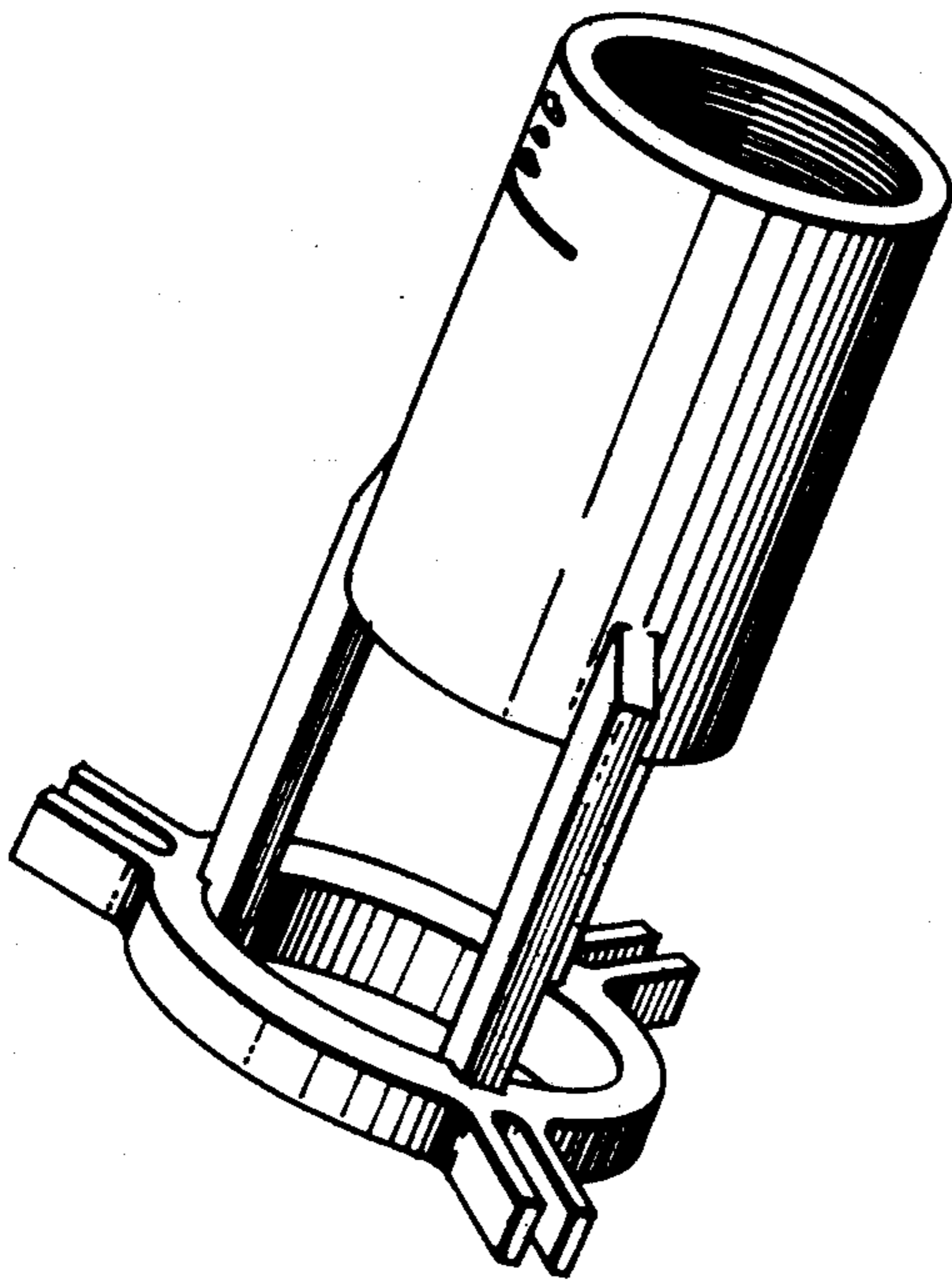


FIG. 2

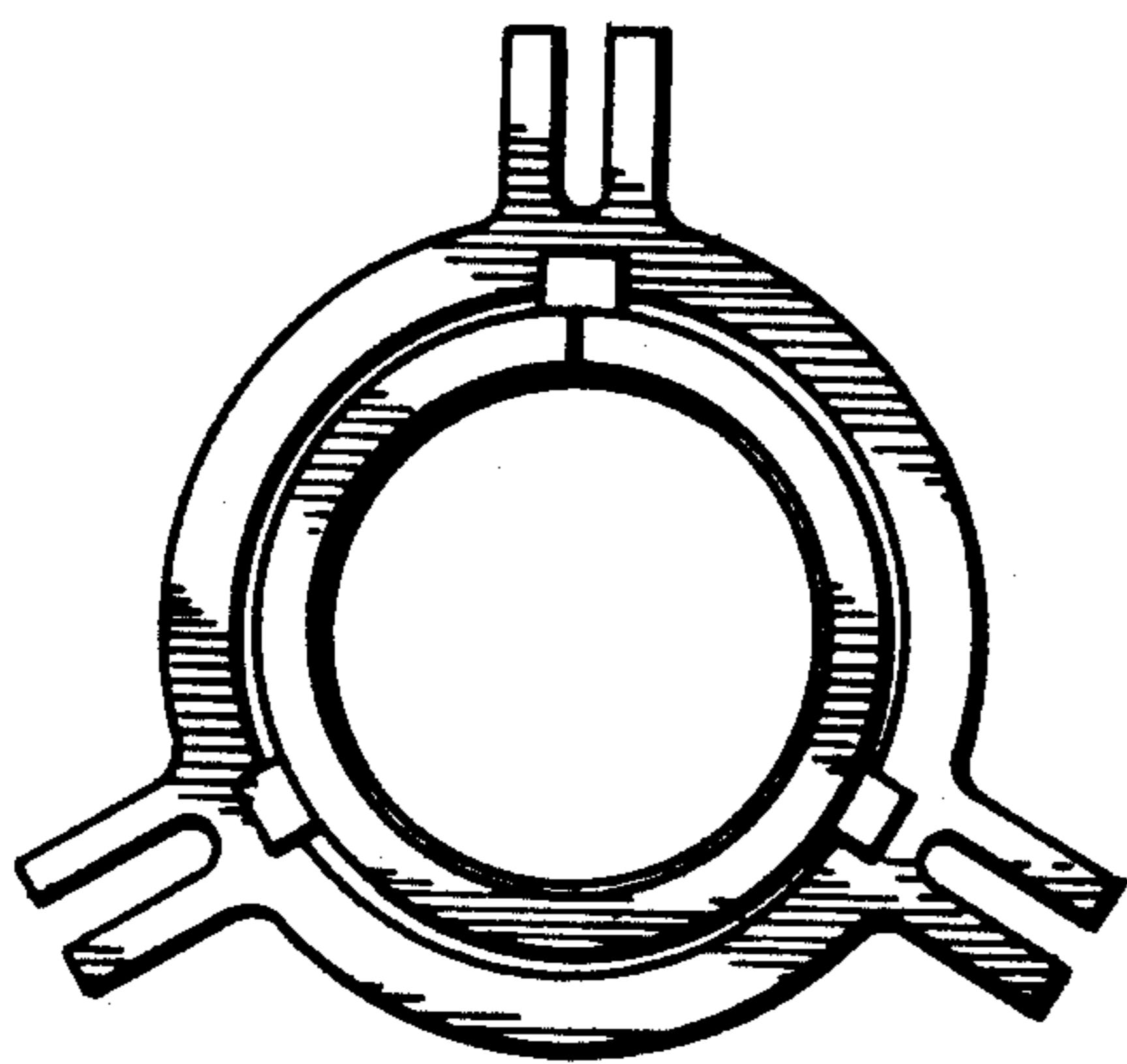
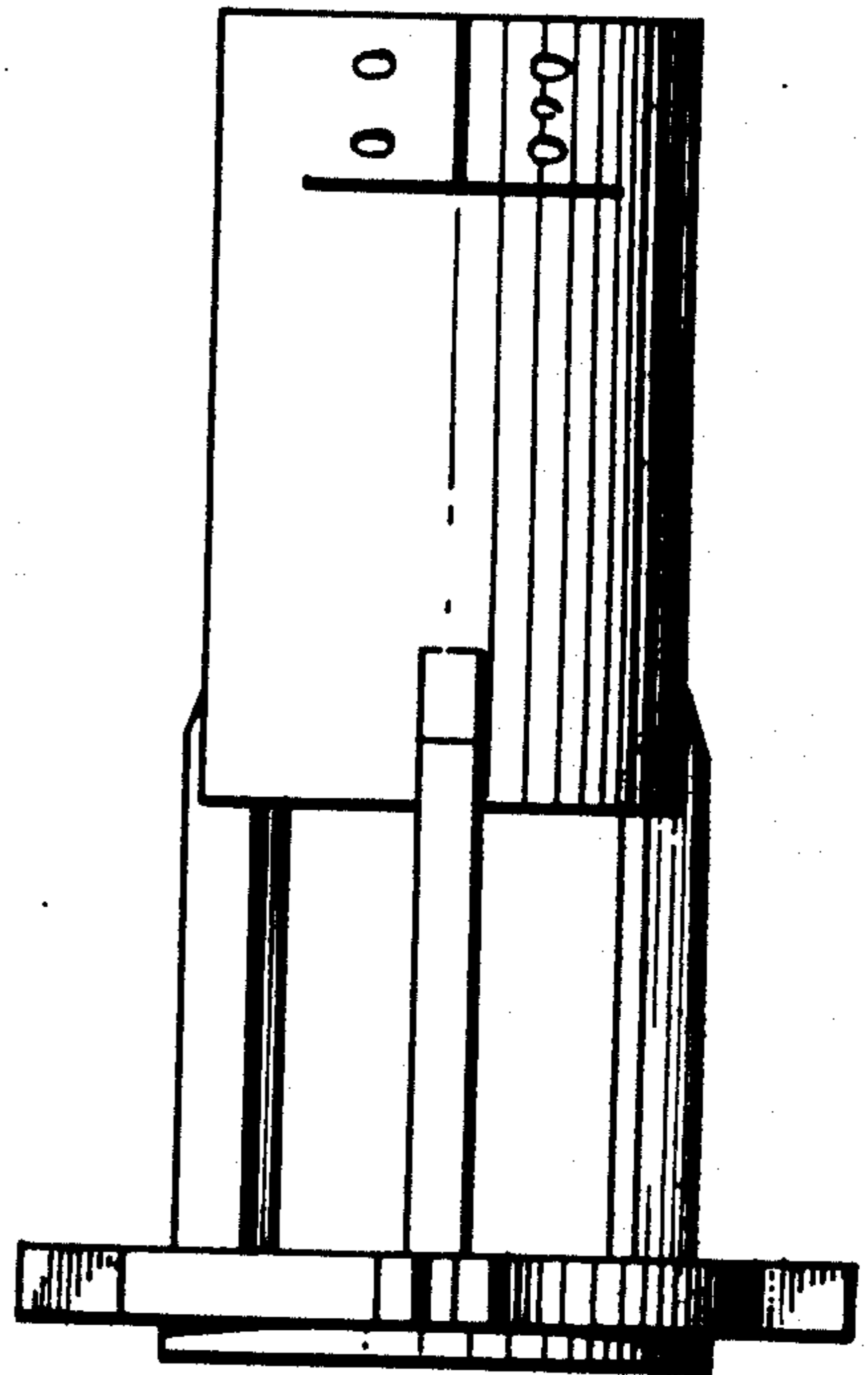


FIG. 3

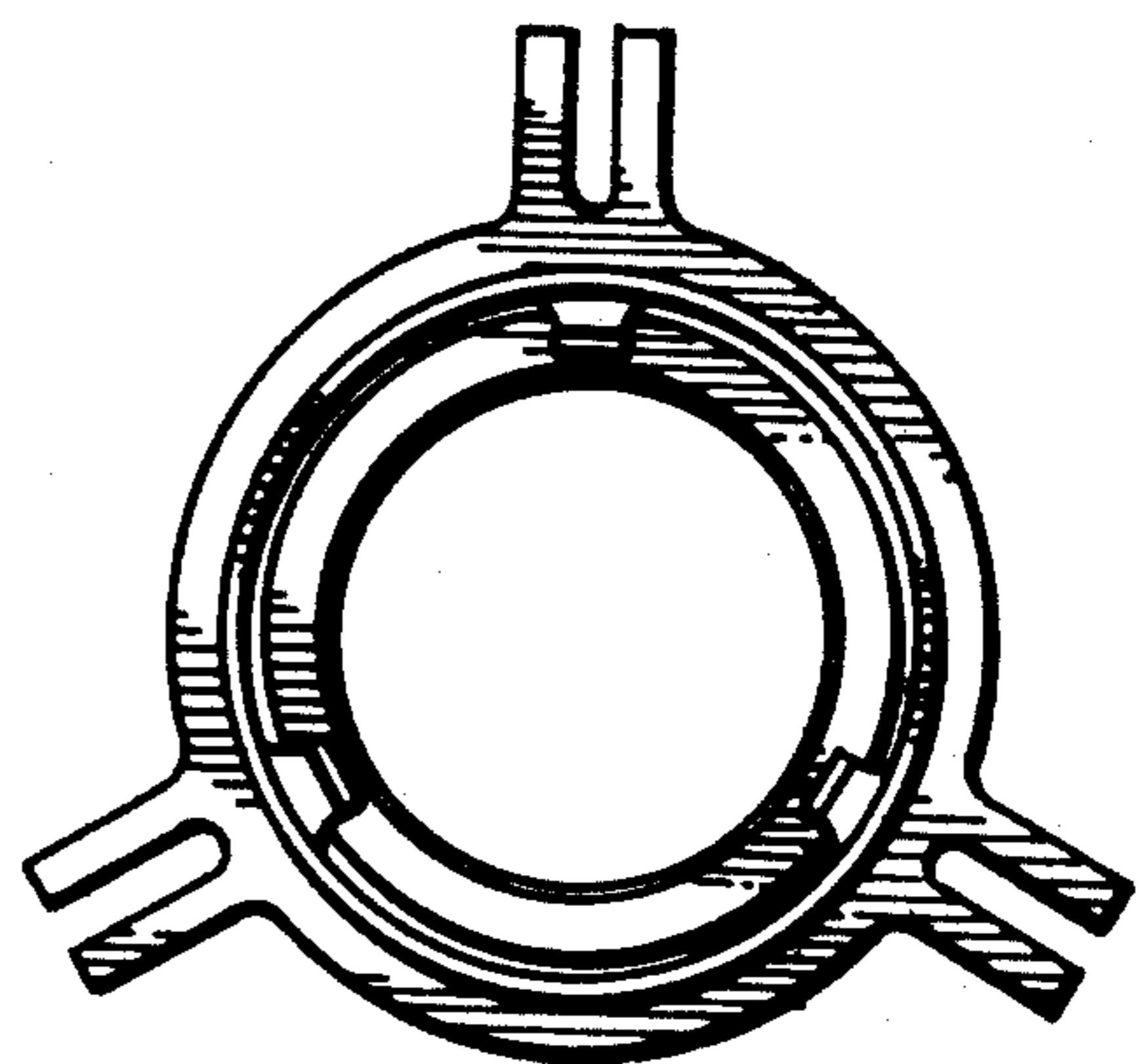


FIG. 4