

[54] **THREAD TREE**

[76] Inventor: Shirley A. Gros, 12026 Thistle Brae Ter., Lakeside, Calif. 92040

[\*\*] Term: 14 Years

[21] Appl. No.: 799,197

[22] Filed: May 23, 1977

[51] Int. Cl. .... D15-06

[52] U.S. Cl. .... D15/78; D3/25

[58] Field of Search ..... D3/19; D15/72, 78; 223/106; D6/24, 28; 242/139, 134

[56] **References Cited**

**U.S. PATENT DOCUMENTS**

D. 229,878 1/1974 Saika et al. .... D6/24

**FOREIGN PATENT DOCUMENTS**

341816 10/1921 Fed. Rep. of Germany ..... 223/106  
926466 10/1947 France ..... 242/139

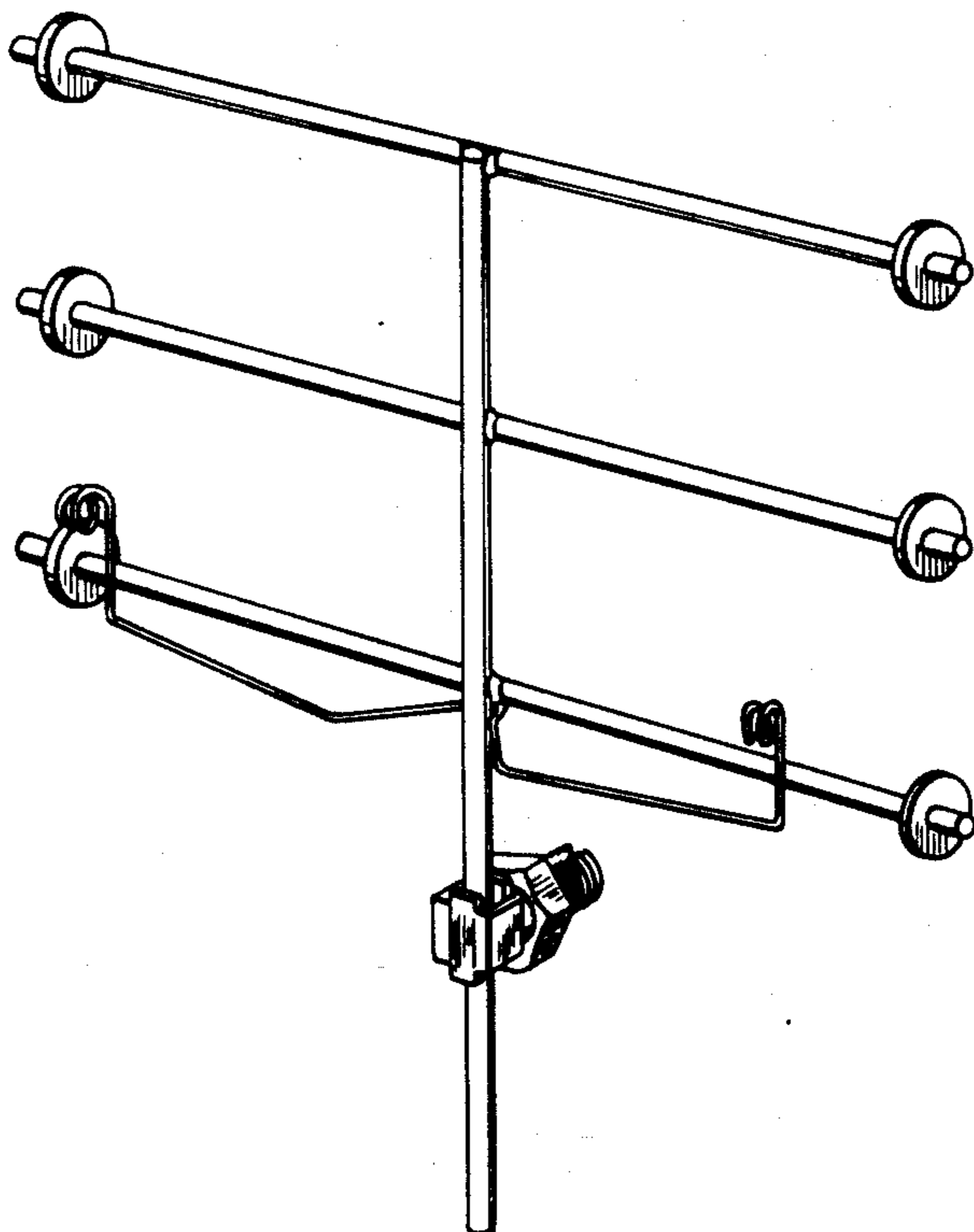
*Primary Examiner*—Joel Stearman  
*Assistant Examiner*—Carmen H. Vales  
*Attorney, Agent, or Firm*—Carl R. Brown

[57] **CLAIM**

The ornamental design for a thread tree, substantially as shown.

**DESCRIPTION**

FIG. 1 is a perspective view of a thread tree, showing my new design;  
FIG. 2 is a side elevational view thereof;  
FIG. 3 is a bottom plan view thereof; and  
FIG. 4 is a rear elevational view thereof.



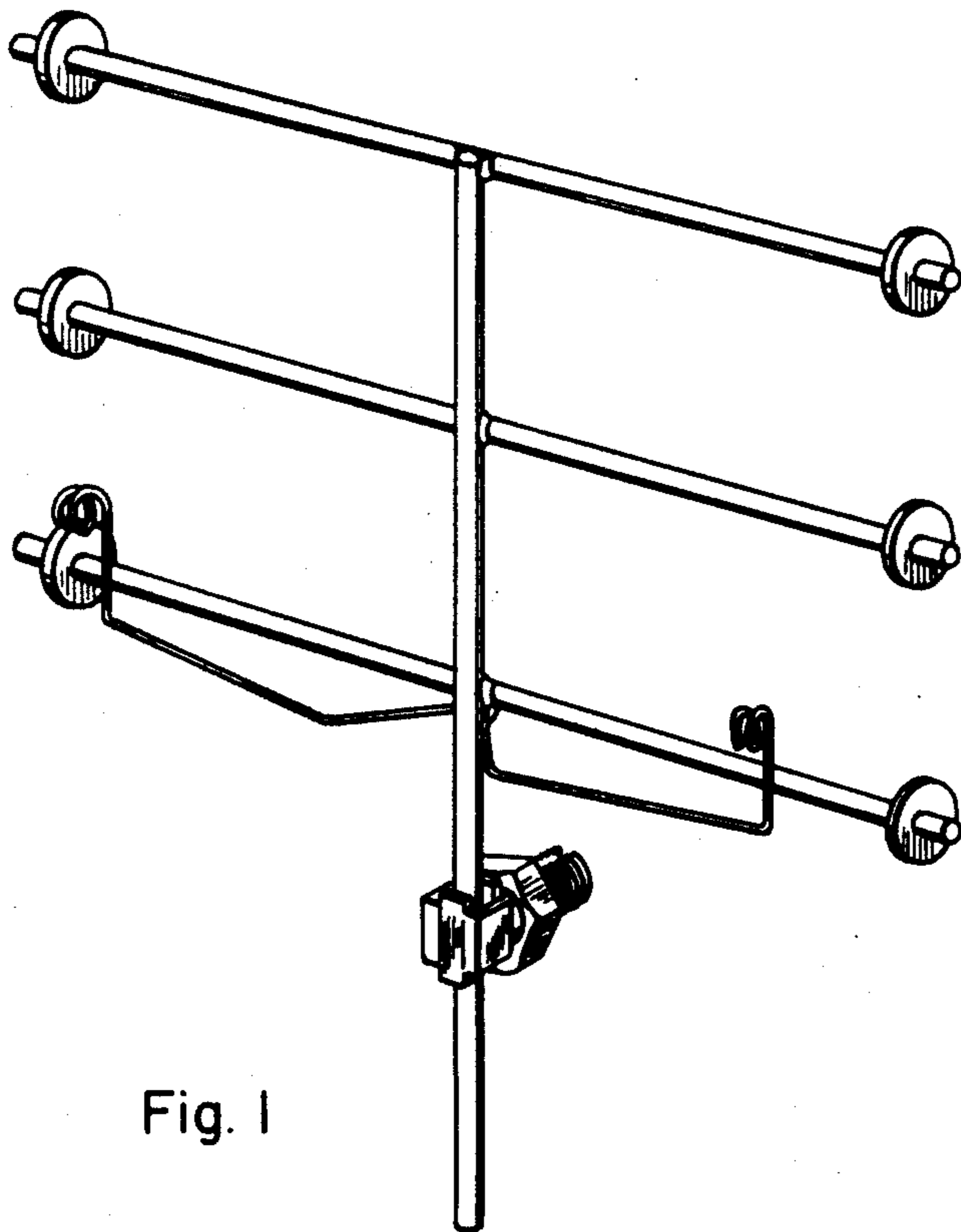


Fig. 1

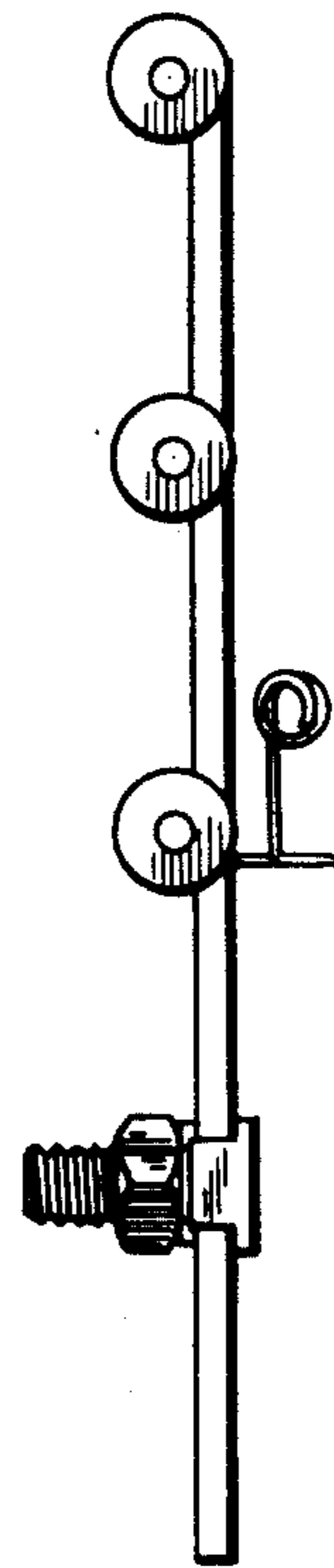


Fig. 2

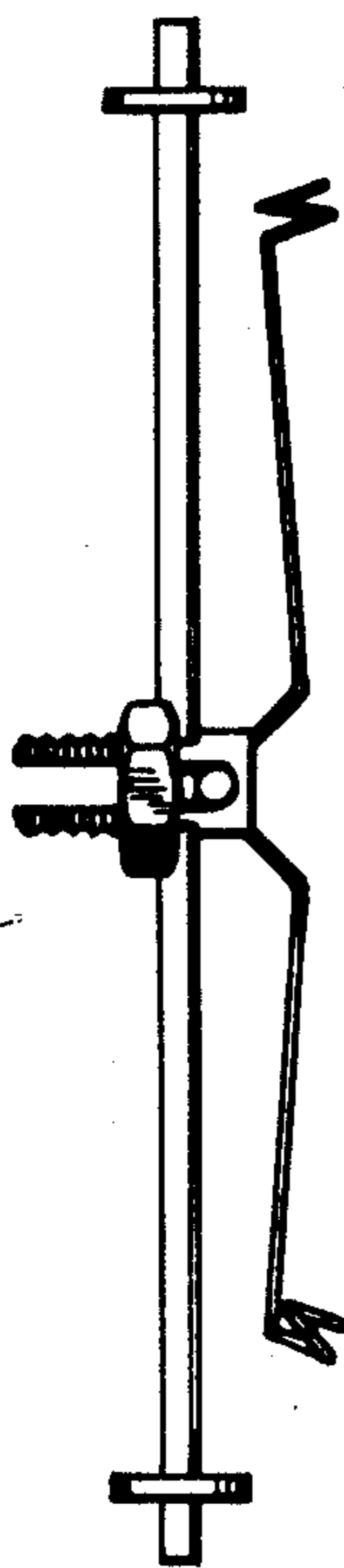


Fig. 3

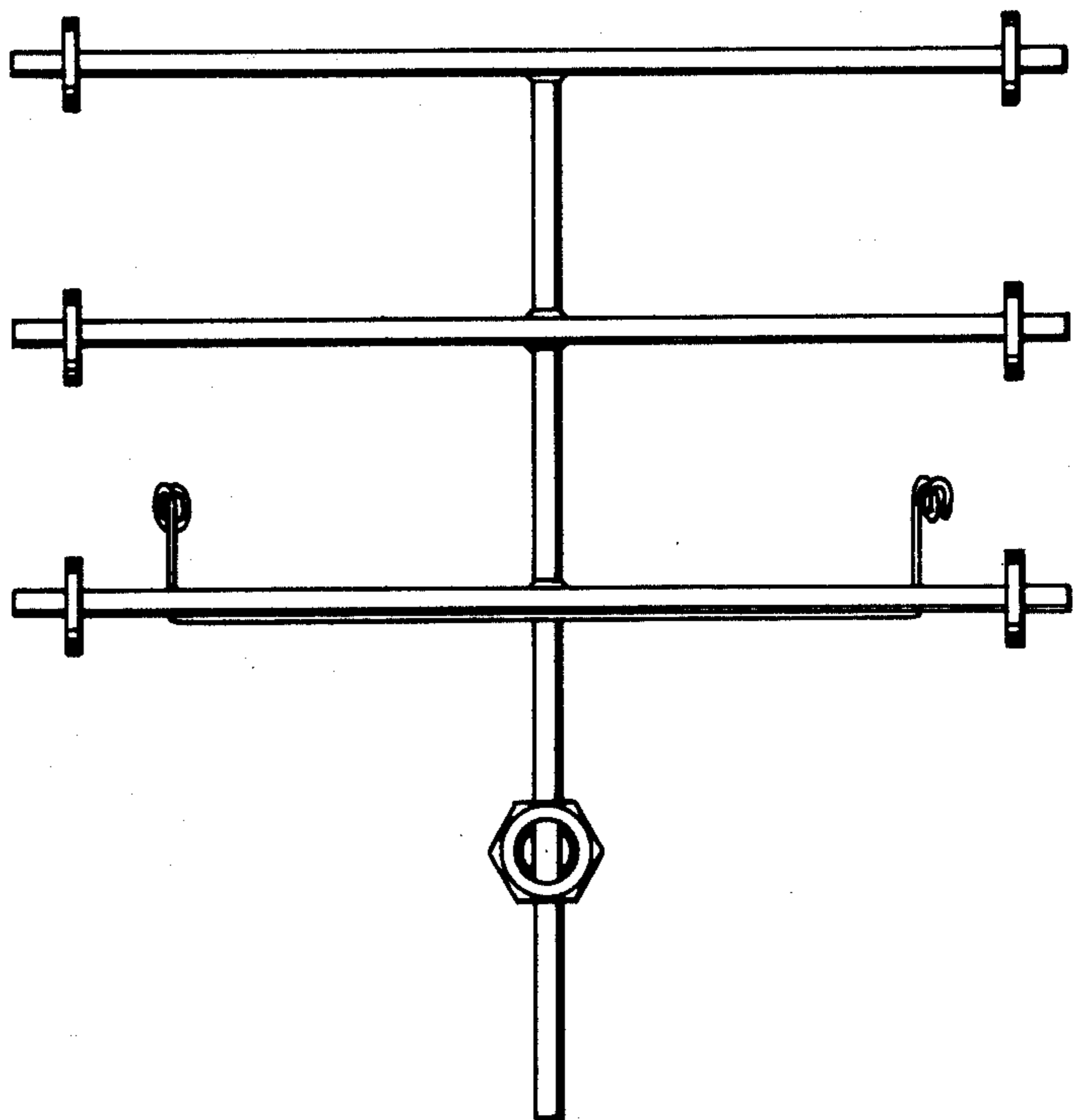


Fig. 4