

[54] **TELEVISION RECEIVER**

[75] **Inventor:** Toshio Ohya, Omiya, Japan

[73] **Assignee:** Sony Corporation, Tokyo, Japan

[\*\*] **Term:** 14 Years

[21] **Appl. No.:** 816,161

[22] **Filed:** Jul. 15, 1977

[30] **Foreign Application Priority Data**

Jan. 18, 1977 [JP] Japan ..... 52-1103

[51] **Int. Cl.** ..... D14-03

[52] **U.S. Cl.** ..... D14/80; D14/81

[58] **Field of Search** ..... D14/1, 21, 52, 77, 79,  
D14/82-84, 99; 358/231, 250, 254

[56] **References Cited**

**U.S. PATENT DOCUMENTS**

D. 237,826 11/1975 MacDonald et al. .... D14/81

**FOREIGN PATENT DOCUMENTS**

889447 2/1962 Fed. Rep. of Germany ..... 358/254

**OTHER PUBLICATIONS**

*Domus*, 3-75, p. 49.

*Merchandising*, 3-76, p. 51, bottom-most item.

Sylvania Cat. #AD75012-0, prior to 4-23-76, p. 17,  
item #CA5111SL.

*Merchandising*, 4-76, p. 57.

*Primary Examiner*—Joel Stearman

*Assistant Examiner*—Jane E. Corrigan

*Attorney, Agent, or Firm*—Lewis H. Eslinger

[57] **CLAIM**

The ornamental design for a television receiver, as shown.

**DESCRIPTION**

FIG. 1 is a front and partial right side perspective view of a television receiver showing my new design;

FIG. 2 is a top plan view;

FIG. 3 is a left side elevational view;

FIG. 4 is a rear elevational view; and

FIG. 5 is a bottom plan view.

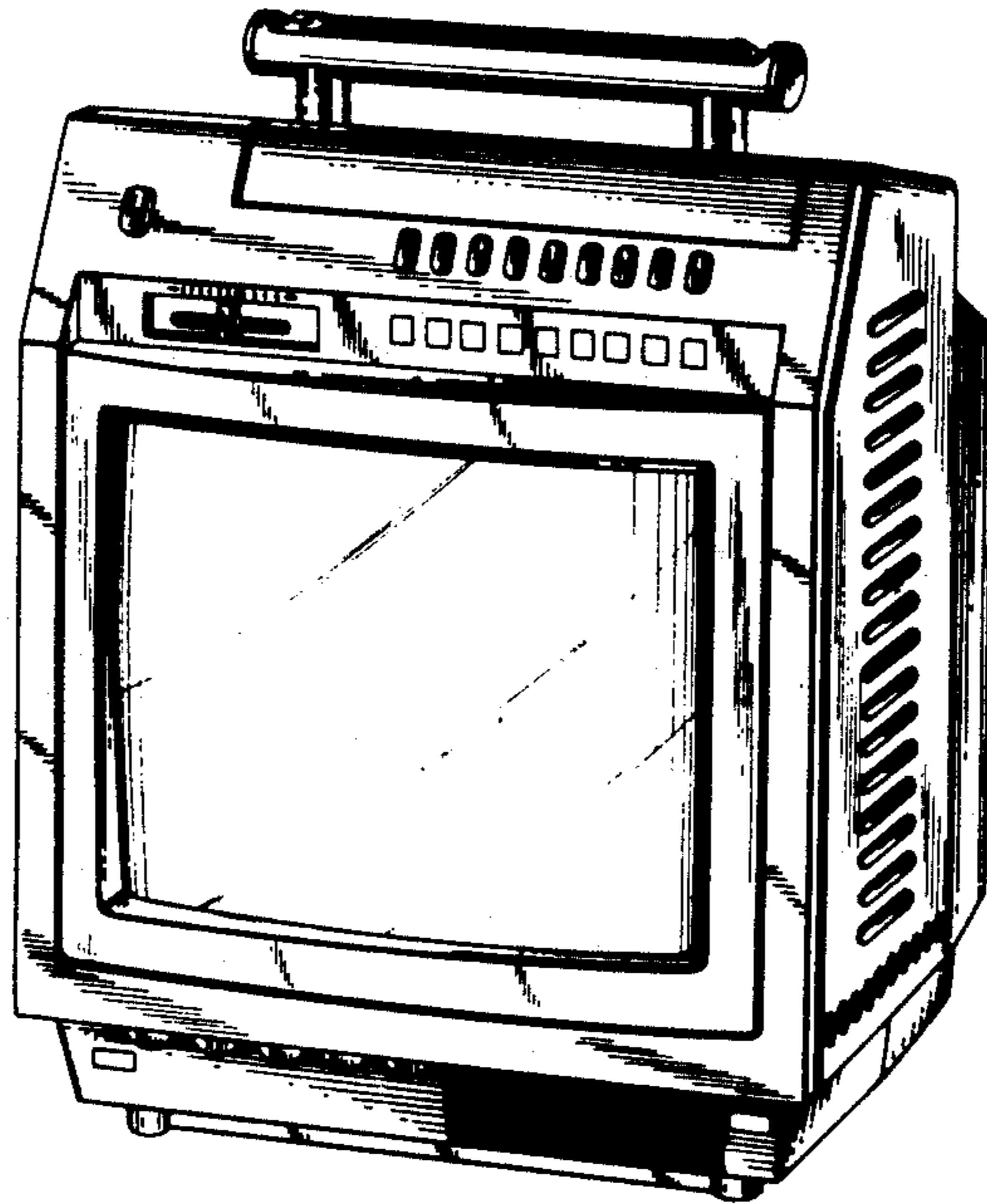


FIG. 1

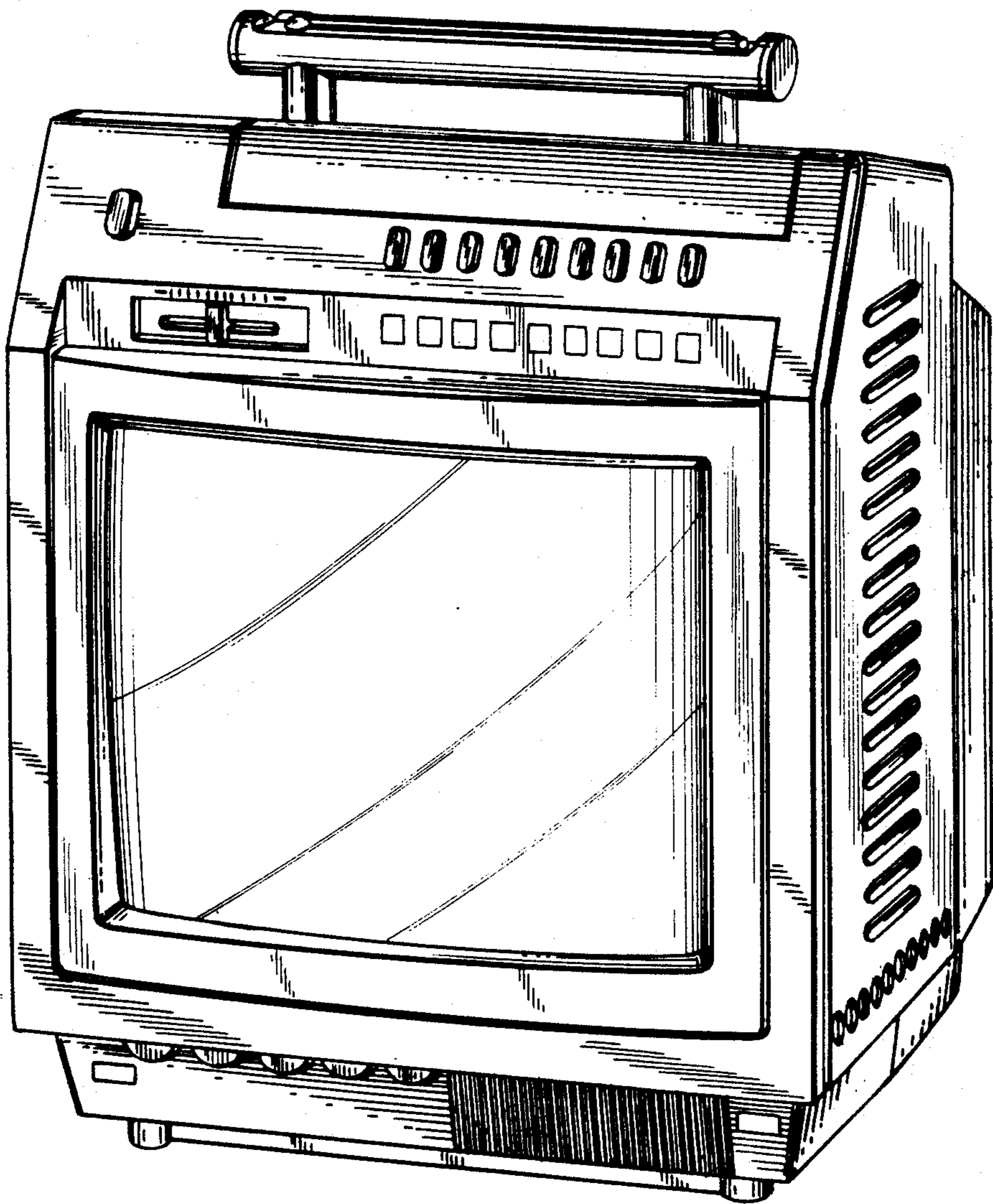


FIG. 3

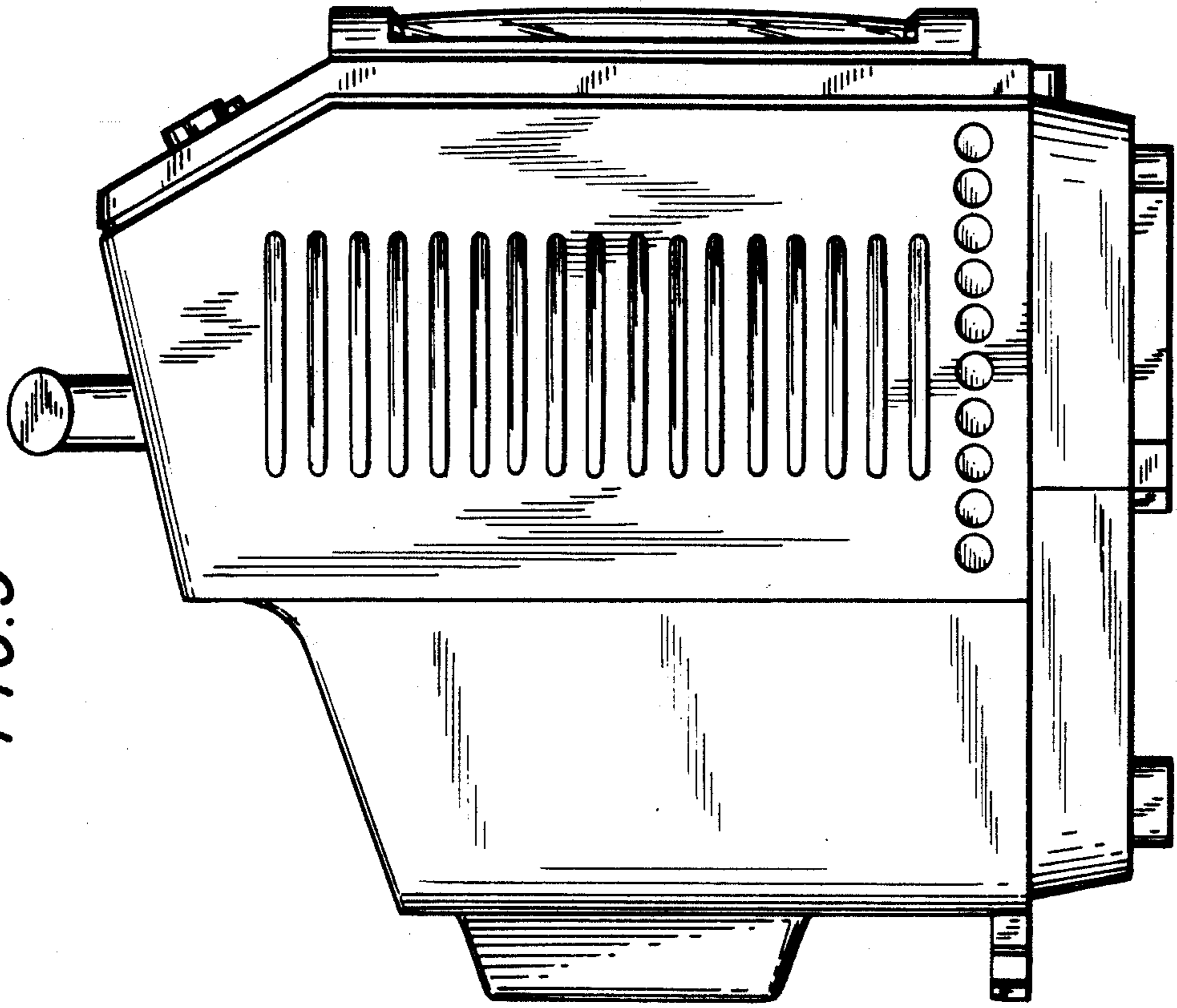


FIG. 2

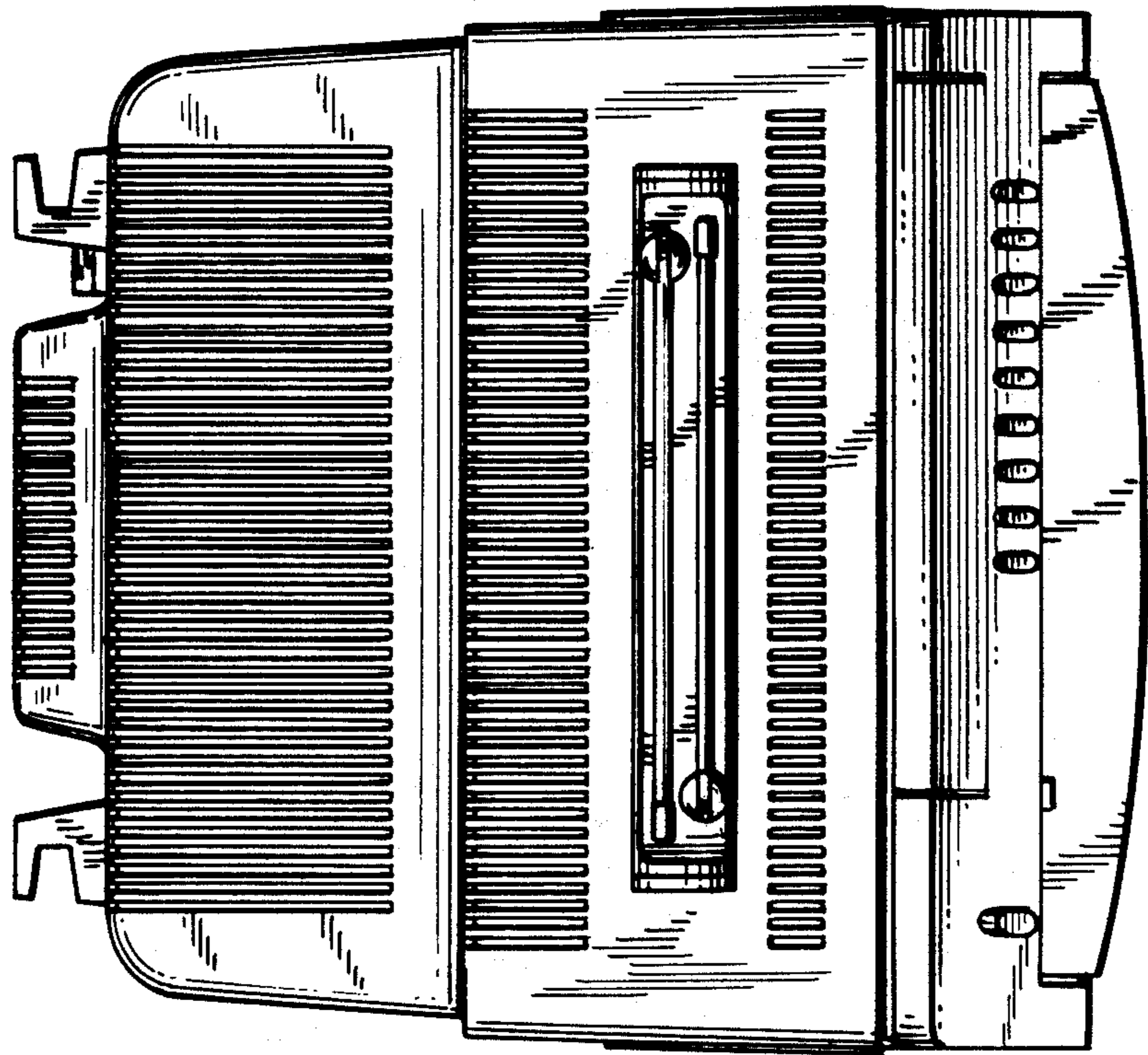


FIG. 4

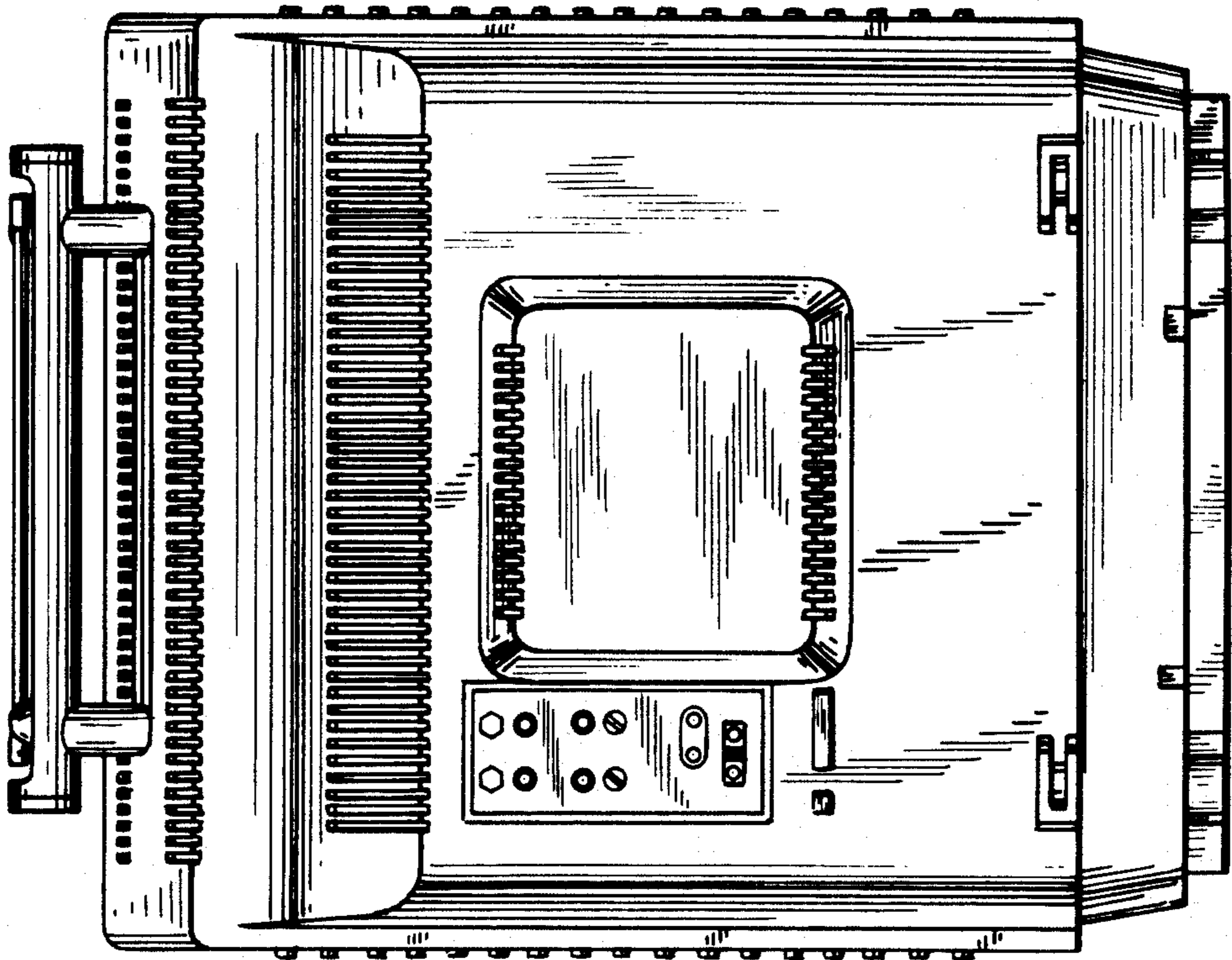


FIG. 5

