

[54] **MOBILE STAND FOR SUPPORTING A
TABLE TOP FOR OFFICE MACHINE**

[76] **Inventor:** Kim Fjellø-Jensen, No. 4 Bellevue,
Rudkøbing, Denmark, 5900

[**] **Term:** 14 Years

[21] **Appl. No.:** 883,333

[22] **Filed:** Mar. 3, 1978

[30] **Foreign Application Priority Data**

Sep. 6, 1977 [DK] Denmark 682/77

[51] **Int. Cl.** D12-02

[52] **U.S. Cl.** D12/25; D6/178;
D6/191

[58] **Field of Search** D12/25; D6/138, 177,
D6/181, 42, 44, 178, 191; 280/47.34, 79.1 R,
79.1 A, 79.2, 79.3, 651; 108/146, 147

[56] **References Cited**

U.S. PATENT DOCUMENTS

D. 235,834 7/1975 Payne et al. D6/138

OTHER PUBLICATIONS

Design No. 182, 2/64, P28, Table, top right side of page.
Mart, 4/59, P46, Portable Air Conditioner Cart, top left
side of page.

Primary Examiner—James M. Gandy
Attorney, Agent, or Firm—Joseph M. Lane

[57] **CLAIM**

The ornamental design for a mobile stand for support-
ing a table top for office machine, as shown and de-
scribed.

DESCRIPTION

FIG. 1 is a perspective view of a mobile stand for sup-
porting a table top for office machines showing my new
design;

FIG. 2 is a perspective view thereof taken from the side
and end opposite to that shown in FIG. 1 and in a low-
ered position; and

FIG. 3 is an enlarged detailed perspective view of one
of the telescoping support legs showing a longitudinally
extending groove with a depth increasing toward the
lower end of said leg.

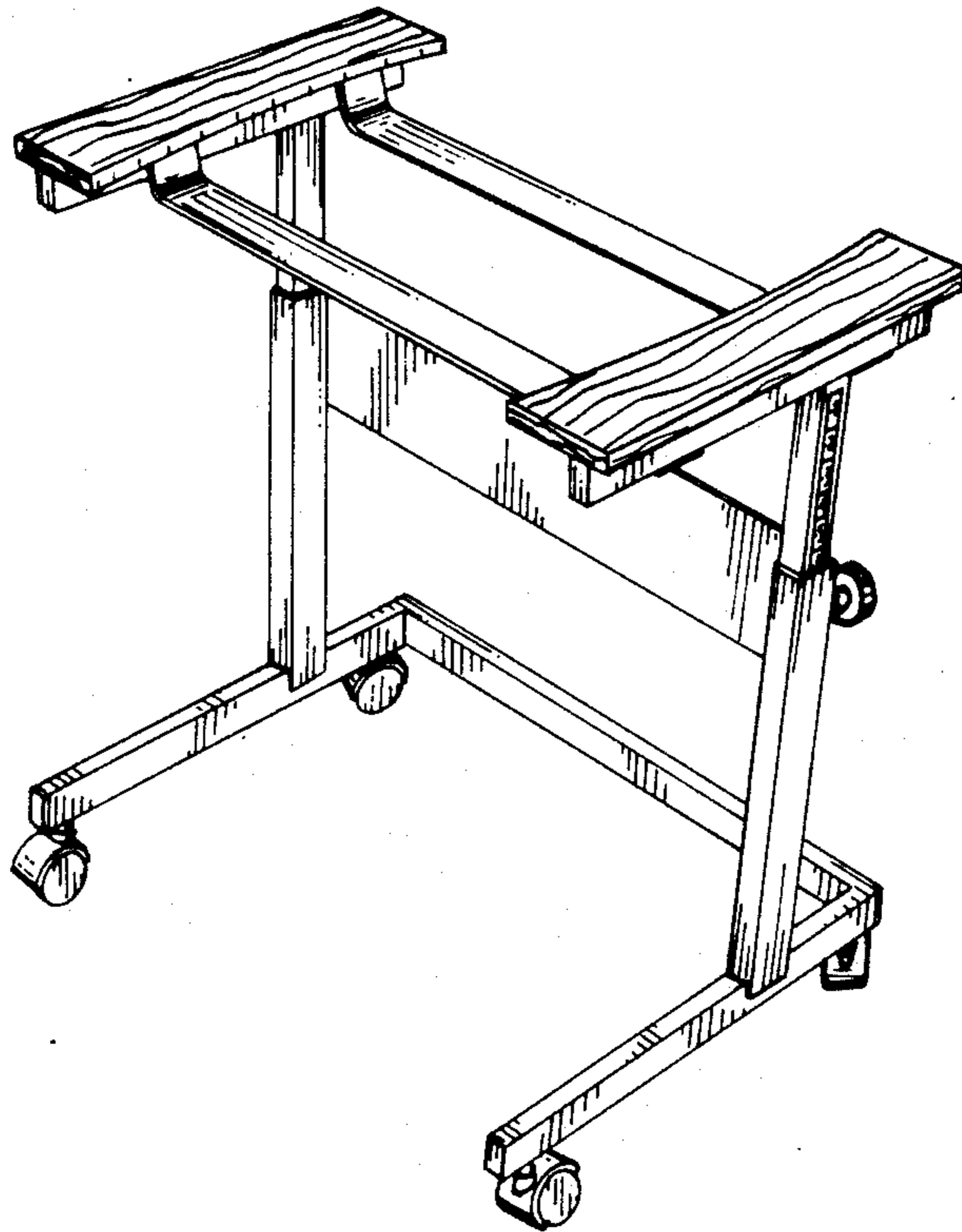
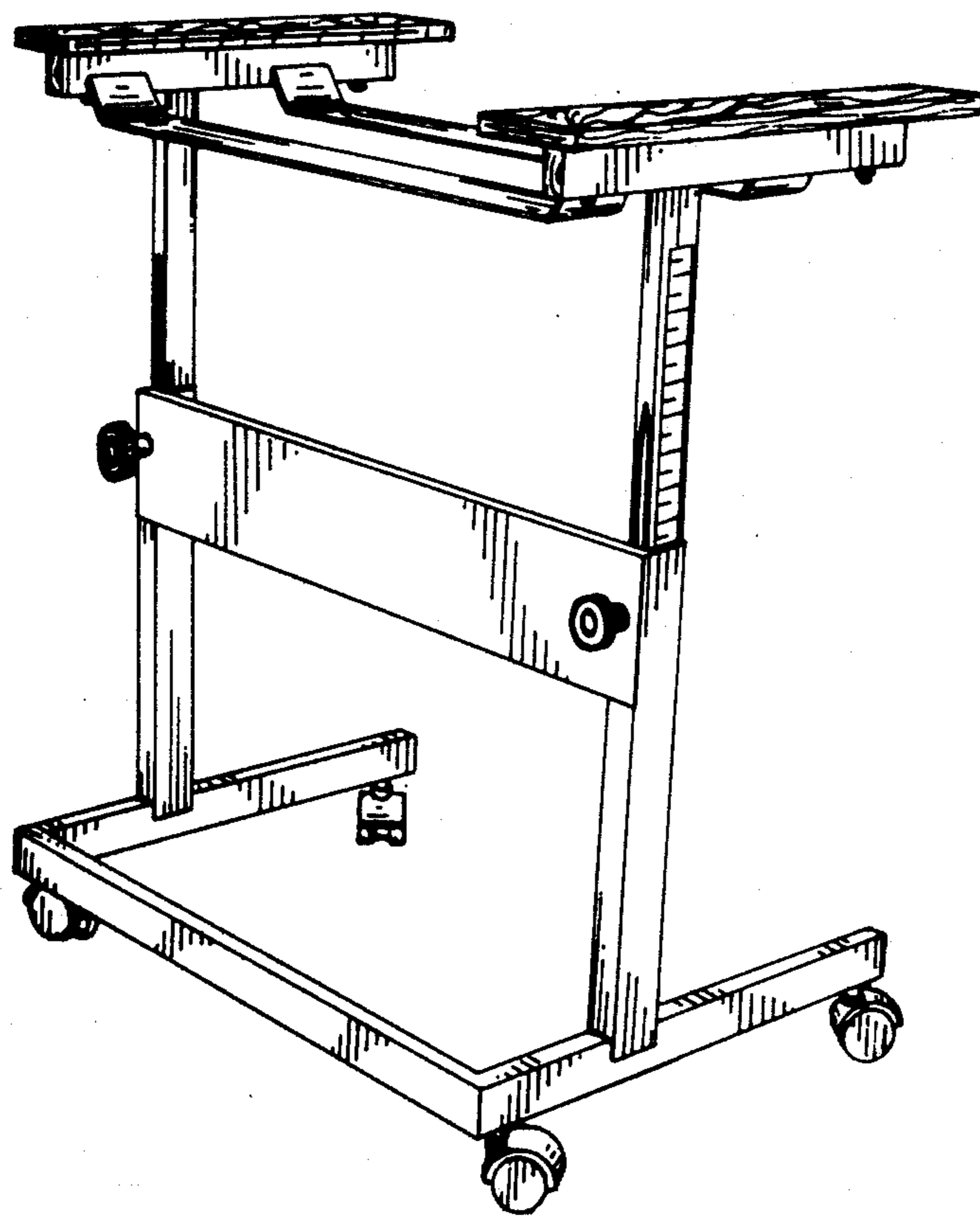


FIG. 1



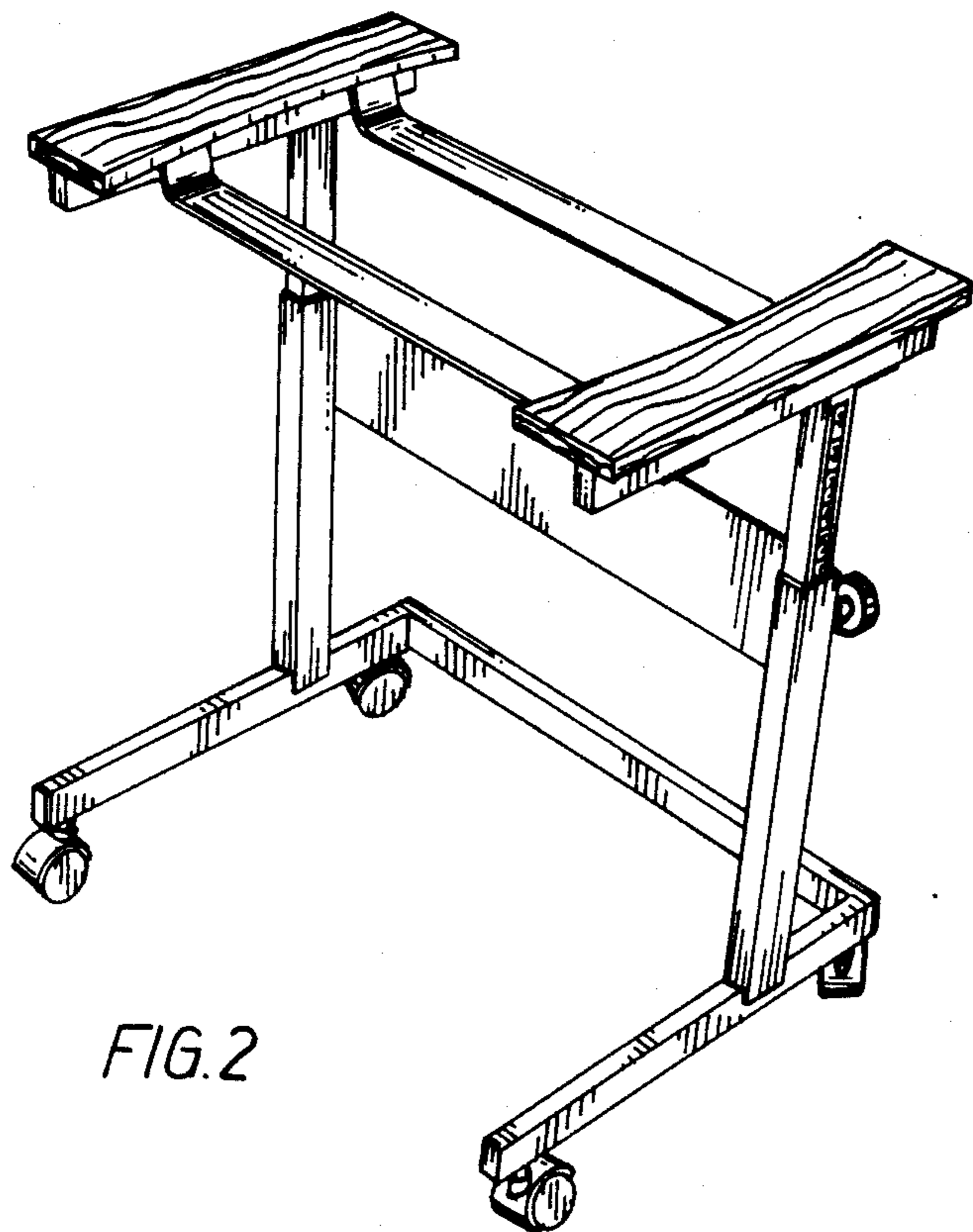


FIG. 2

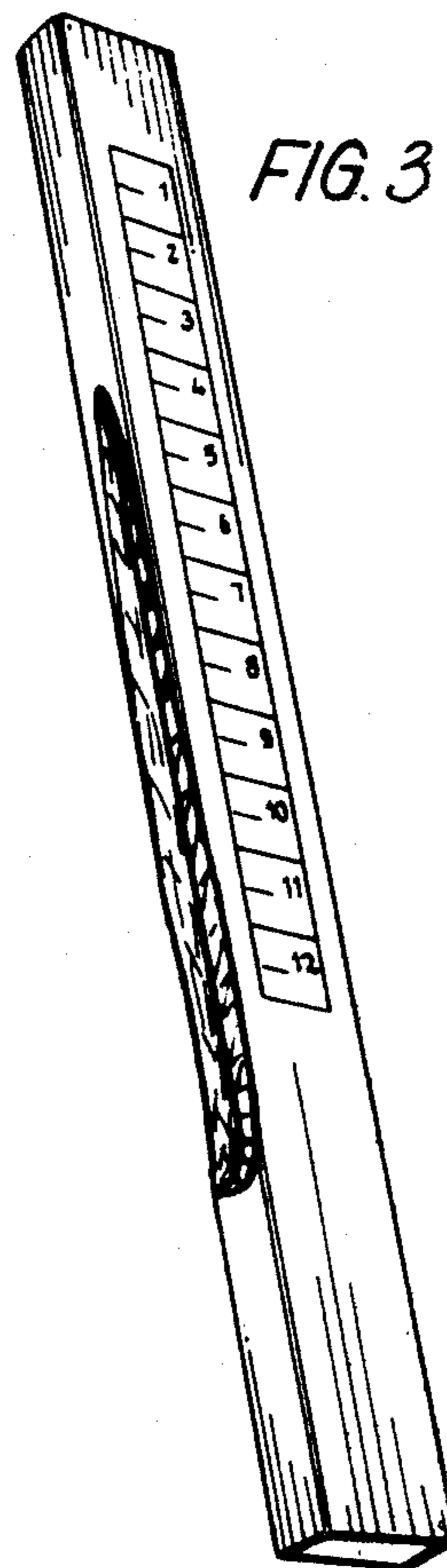


FIG. 3