

[54] IMPLEMENT RACK

[76] Inventors: **Stephen C. Mayes**, Quarter Mile Rd., Stratton, Vt. 05155; **Frederik G. R. von Roth, II**, P.O. Box 33, Peru, Vt. 05152

[**] Term: **14 Years**

[21] Appl. No.: **788,913**

[22] Filed: **Apr. 19, 1977**

[51] Int. Cl. **D6-04**

[52] U.S. Cl. **D6/136; D6/114**

[58] Field of Search **D6/85, 114, 116, 132-134, D6/136, 140; 211/13, 90, 152; D25/74, 75**

[56] **References Cited**

U.S. PATENT DOCUMENTS

D. 175,516	9/1955	Lively	D6/136
D. 225,707	1/1973	Brozen	D6/136
800,055	9/1905	Ayres	D25/75

Primary Examiner—Wallace R. Burke
Assistant Examiner—B. J. Bullock
Attorney, Agent, or Firm—Willis H. Taylor, Jr.

[57] **CLAIM**

The ornamental design for an implement rack, substantially as shown.

DESCRIPTION

FIG. 1 is a perspective view of an implement rack showing our new design; FIG. 2 is a side elevational view taken from the right of FIG. 1, the side opposite being a mirror image thereof; FIG. 3 is a rear elevational view thereof; and, FIG. 4 is a bottom plan view thereof.

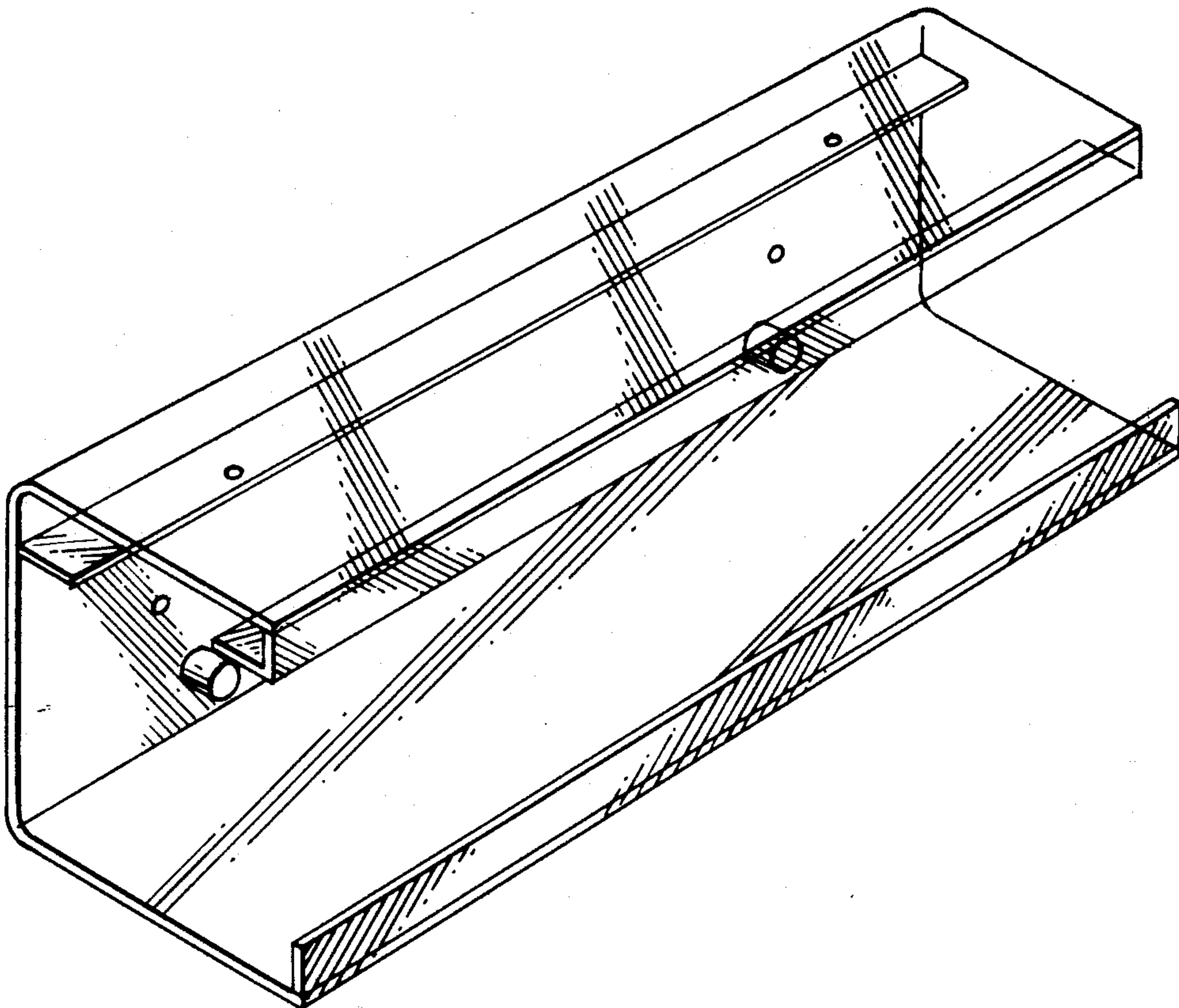


FIG. 1.

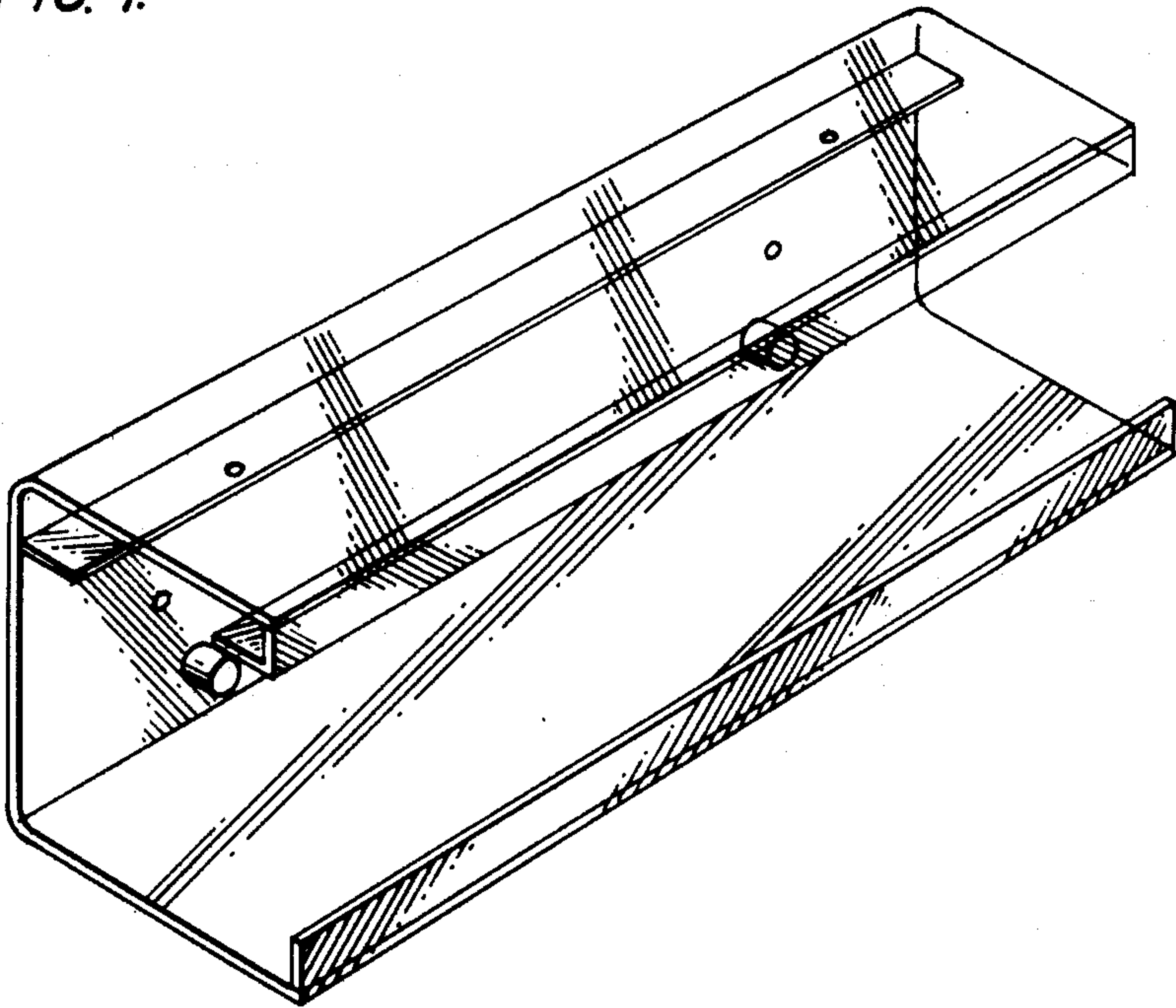


FIG. 2.

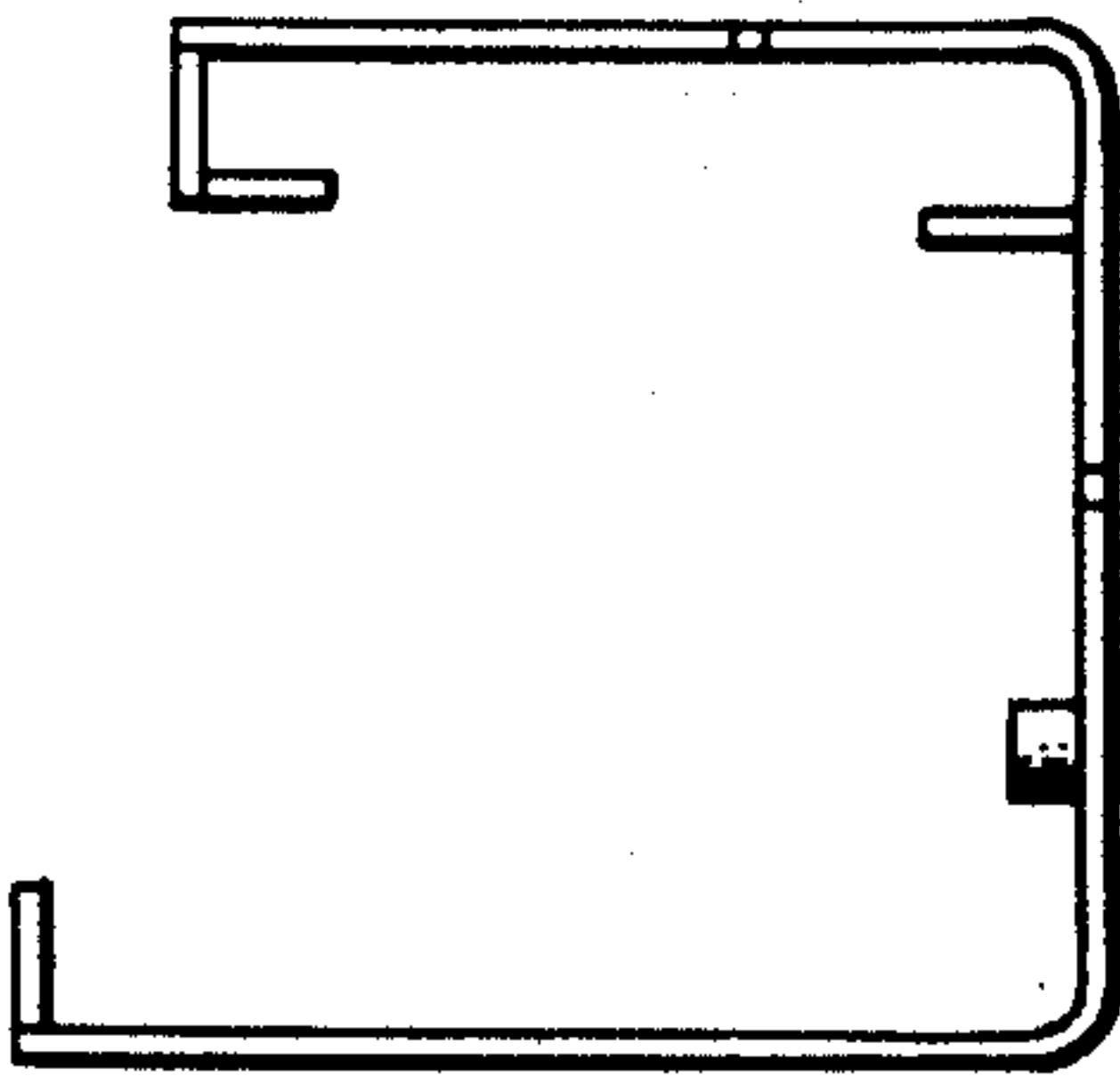


FIG. 3.

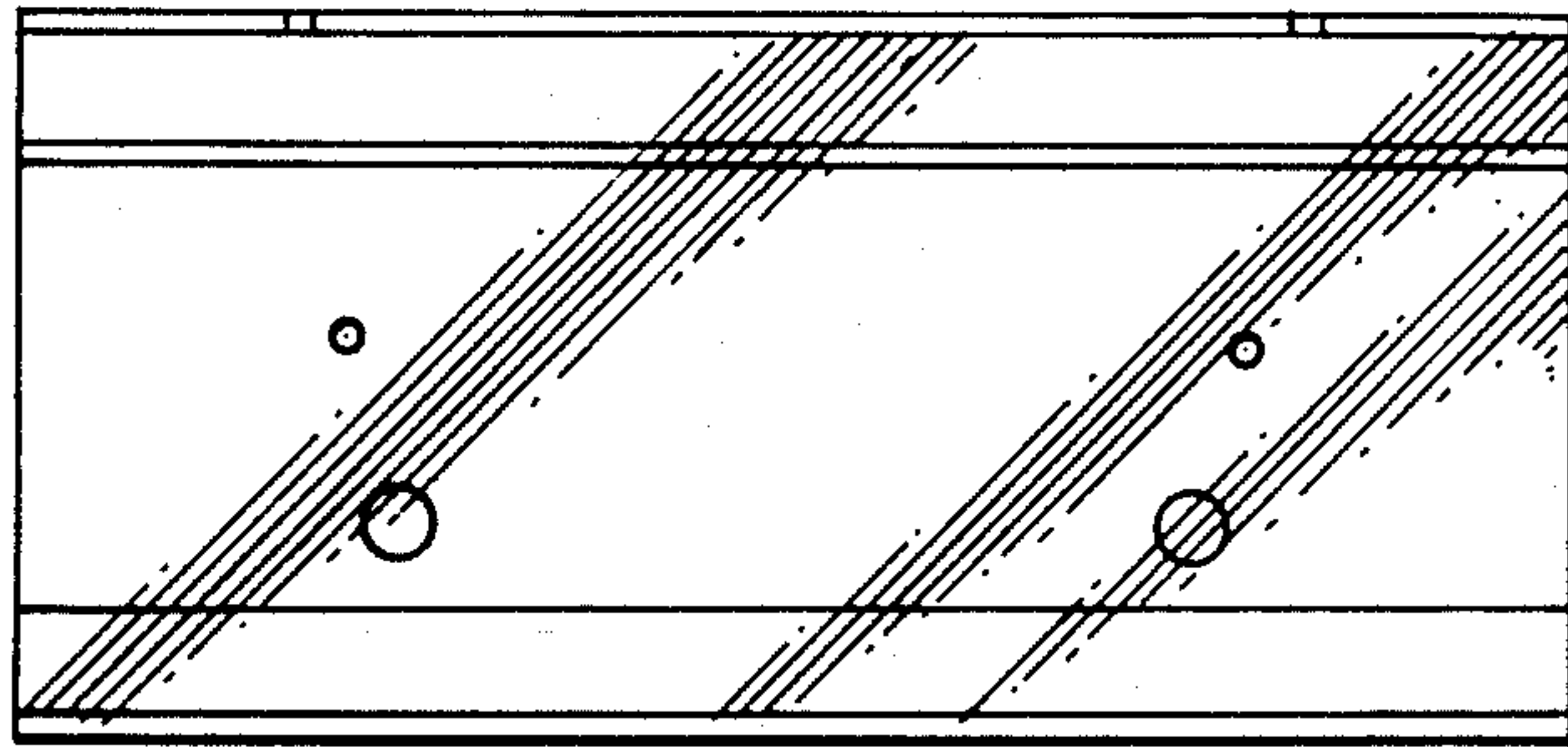


FIG. 4.

