

[54] HOLDER FOR AN ELECTRIC SHAVER

[76] Inventor: Siegfried Pape, 3281 Capricorn Crescent, Mississauga, Ontario, Canada

[\*\*] Term: 14 Years

[21] Appl. No.: 756,747

[22] Filed: Jan. 5, 1977

[51] Int. Cl. .... D6-04; D23-02

[52] U.S. Cl. .... D6/88; D6/125; D6/136; D6/137

[58] Field of Search ..... D6/86, 88, 113, 114, D6/116-119, 123-125, 128, 130, 131-132, 136, 137; 211/34, 35, 60 R, 60 T, 87, 88, 90, 95, 96

[56] References Cited

U.S. PATENT DOCUMENTS

D. 183,523	9/1958	Jensen .....	D6/86
D. 185,951	8/1959	Wambaugh .....	D6/88
D. 221,960	9/1971	Stephenson .....	D6/88

Primary Examiner—Wallace R. Burke  
Assistant Examiner—B. J. Bullock  
Attorney, Agent, or Firm—Robert J. Eichelburg

[57] CLAIM

The ornamental design for a holder for an electric shaver, as shown and described.

DESCRIPTION

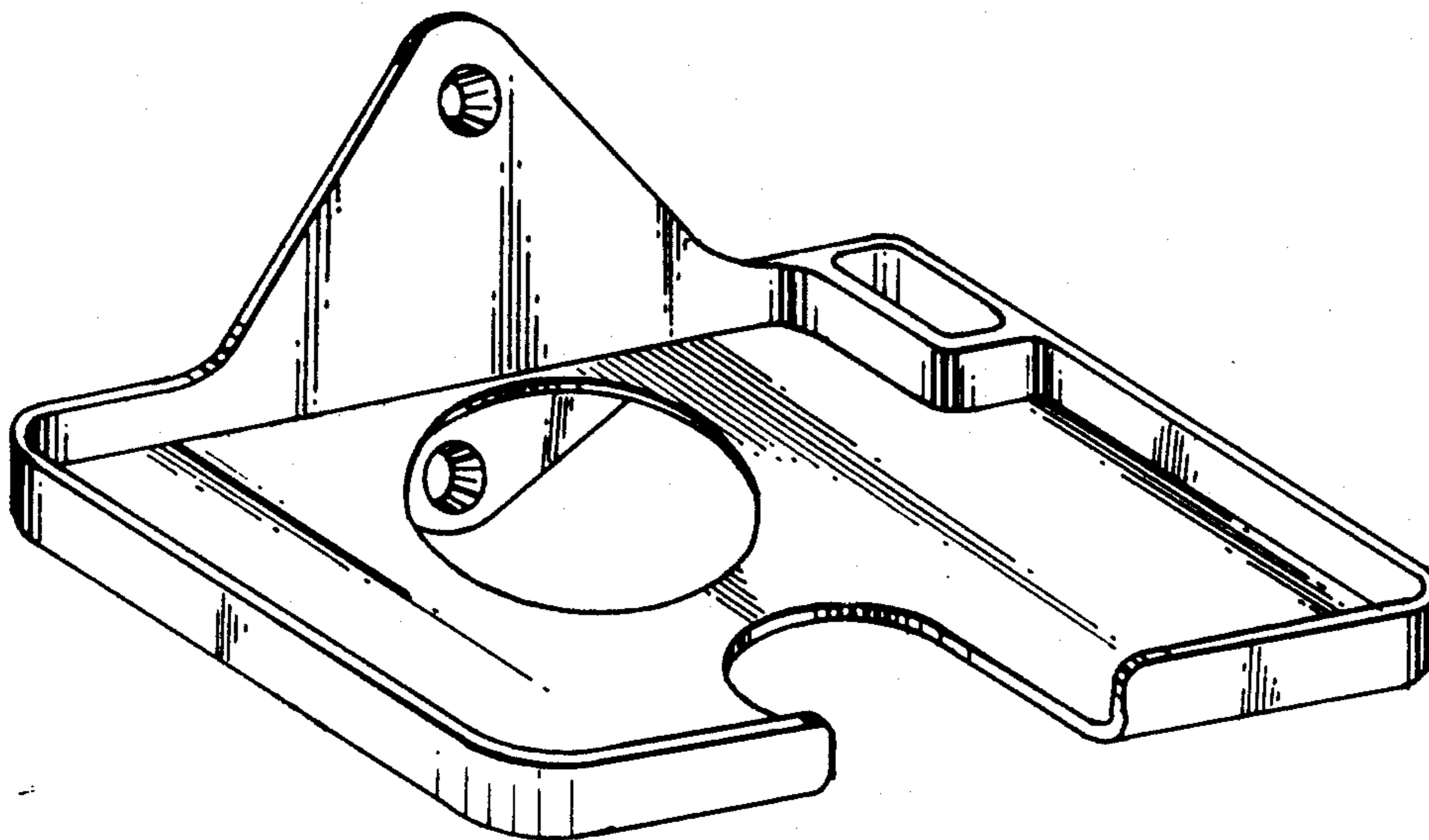
FIG. 1 is a perspective view of a holder for an electric shaver showing my new design.

FIG. 2 is a front elevational view thereof.

FIG. 3 is a top plan view thereof.

FIG. 4 is a sectional view taken in the direction of the arrows on line 4-4 of FIG. 3.

The bottom and rear are flat and unornamented.



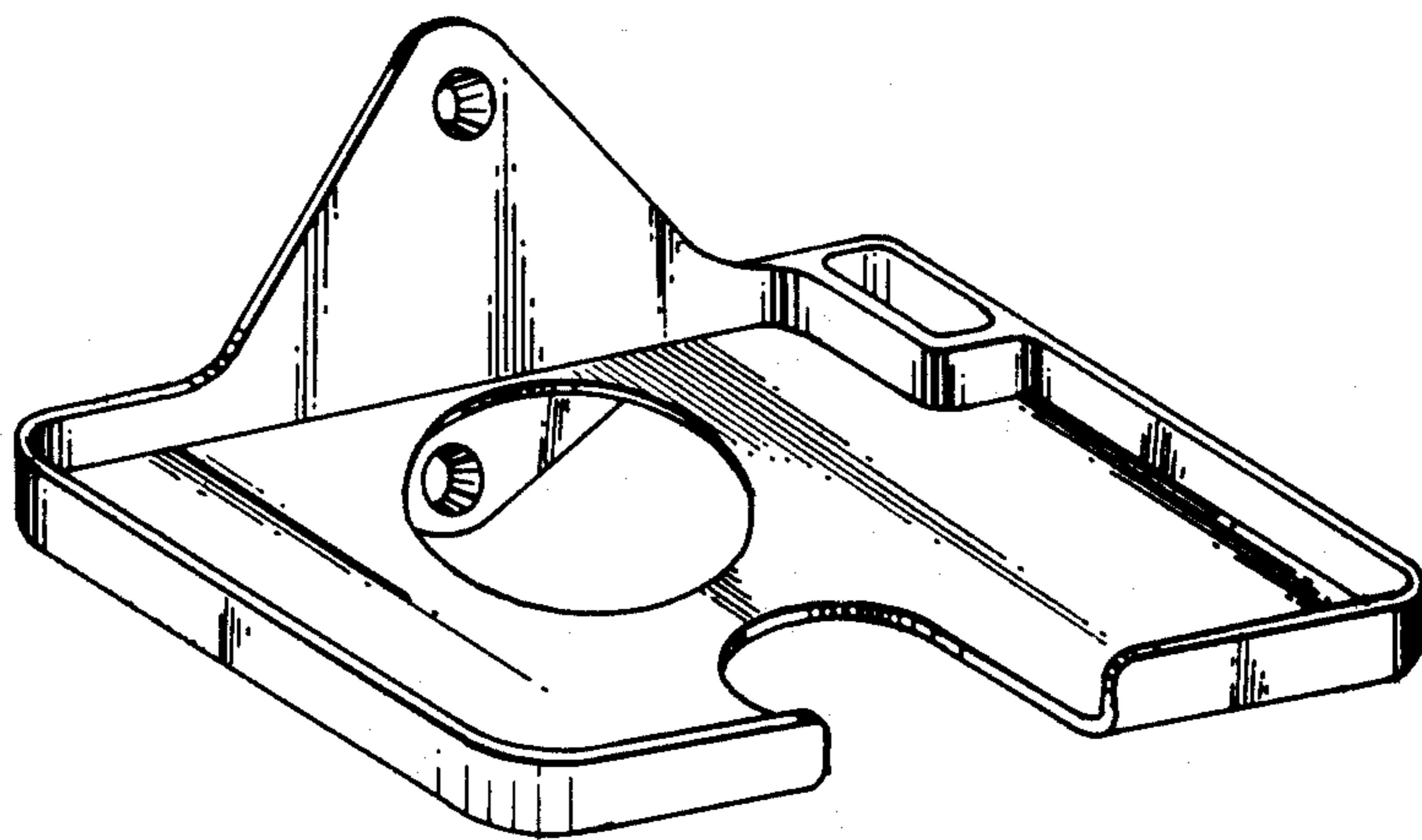


FIG. 1

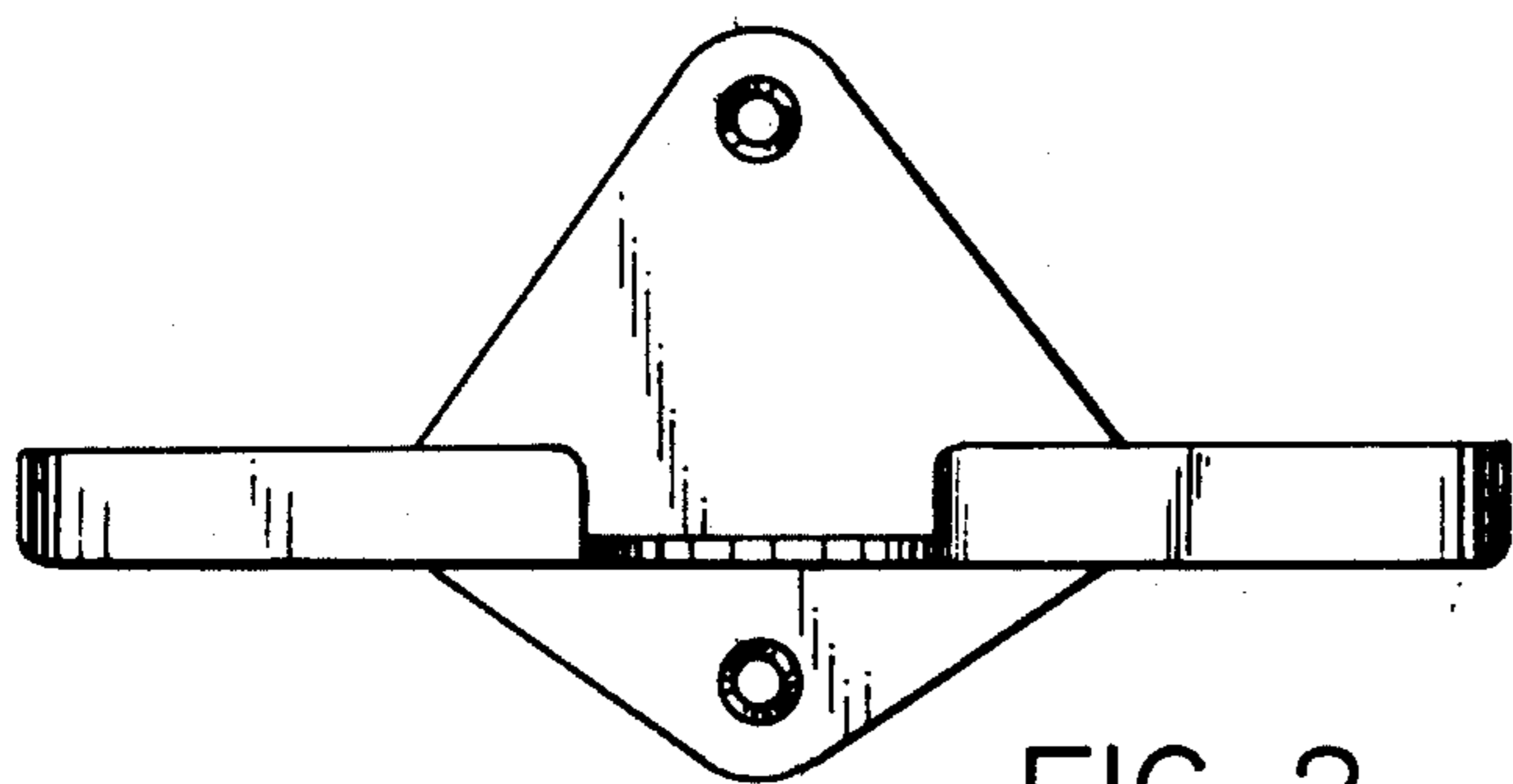


FIG. 2

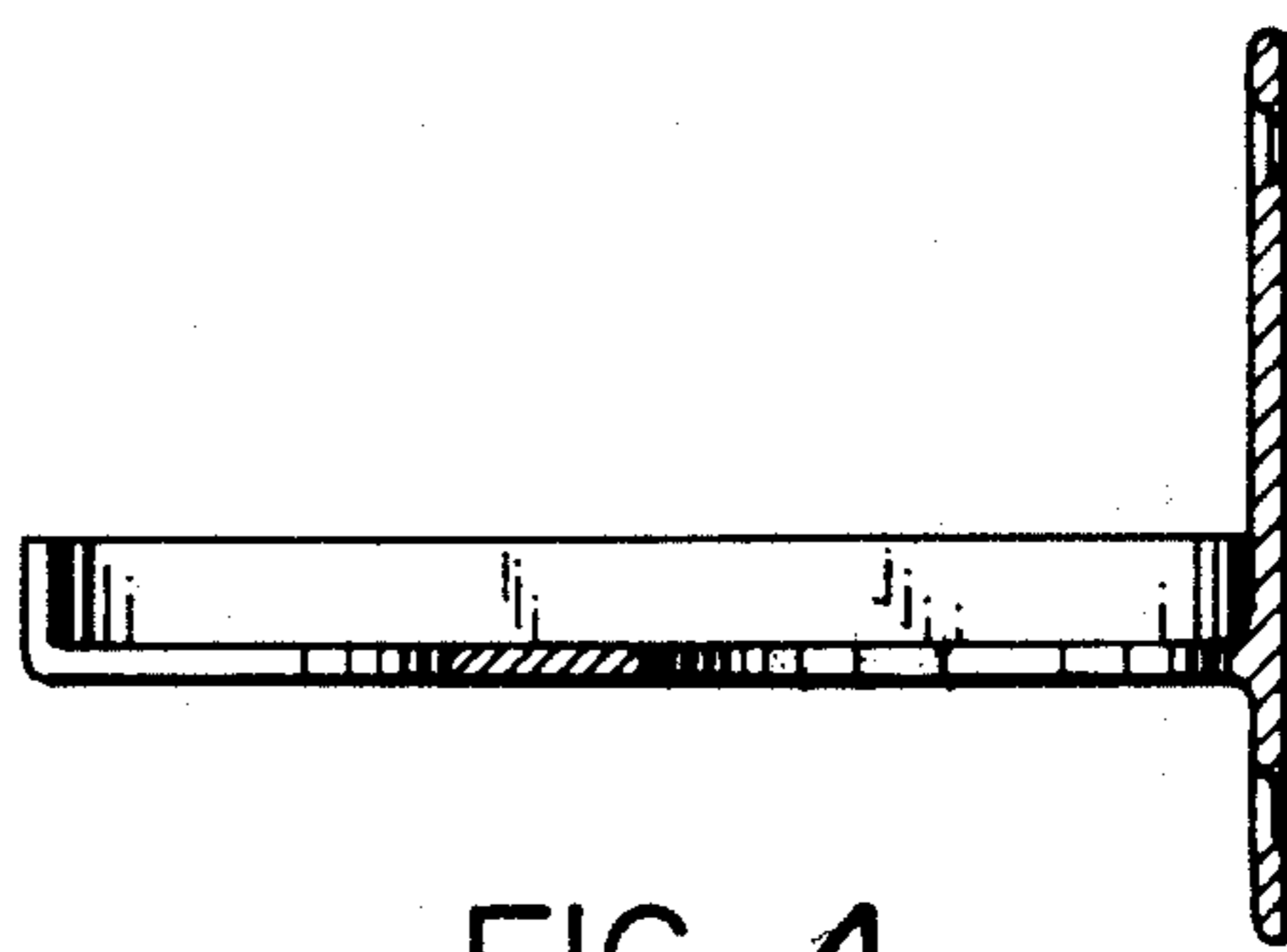


FIG. 4

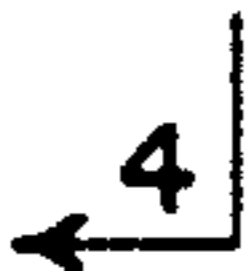
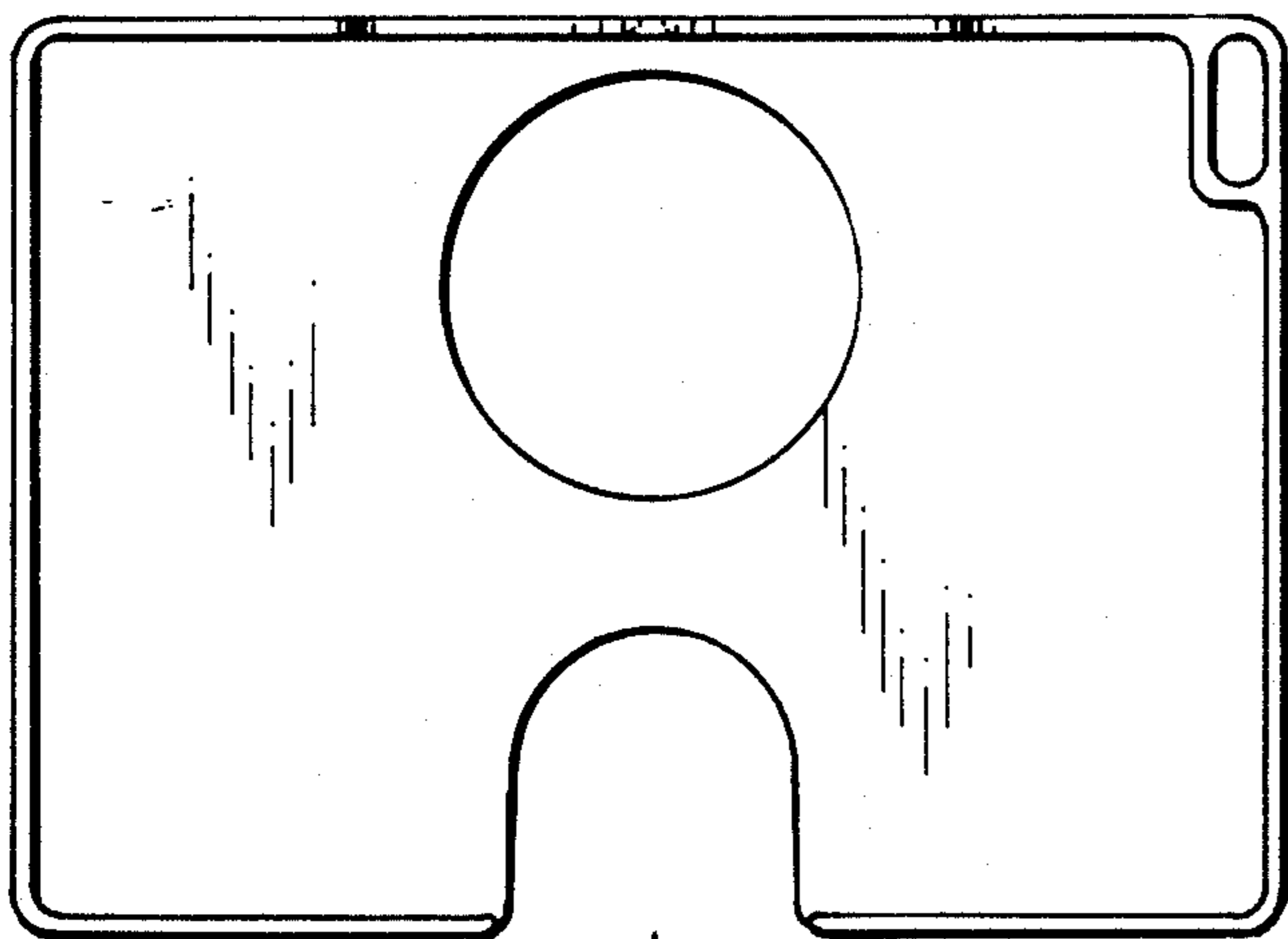


FIG. 3