

[54] EYEGLASS CASE DISPLAY UNIT

[75] Inventor: **Richard S. Dunchock**, Farmington Hills, Mich.

[73] Assignee: **Optarac Corporation**, Southfield, Mich.

D. 245,049	7/1977	Dunchock	D6/114
1,492,113	4/1924	Welsh	211/13
2,713,947	7/1955	Foster	211/13
3,924,750	12/1975	Dunchock	211/87

[**] Term: **14 Years**

Primary Examiner—Wallace R. Burke
Assistant Examiner—B. J. Bullock
Attorney, Agent, or Firm—Andrew R. Basile

[21] Appl. No.: **893,697**

[57] **CLAIM**

[22] Filed: **Apr. 5, 1978**

The ornamental design for an eyeglass case display unit, as shown.

[51] Int. Cl. **D20-02**

DESCRIPTION

[52] U.S. Cl. **D6/85; D6/114; D6/136**

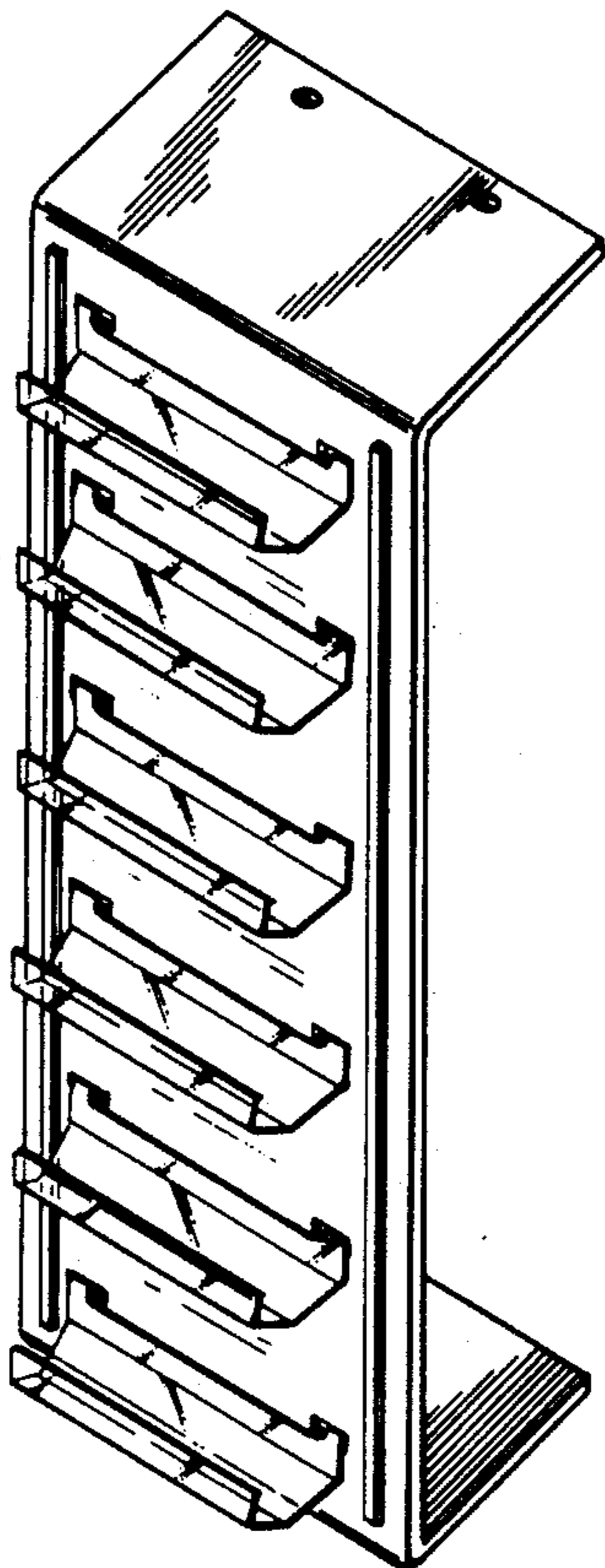
FIG. 1 is a perspective view illustrating an eyeglass case display unit showing my new design;
 FIG. 2 is a front elevational view thereof;
 FIG. 3 is a side elevational view taken from the right of FIG. 1;
 FIG. 4 is a rear elevational view thereof;
 FIG. 5 is a side elevational view taken from the left of FIG. 1;
 FIG. 6 is a top plan view thereof; and
 FIG. 7 is a bottom plan view thereof.

[58] Field of Search **D6/20, 27-29, D6/85, 114, 130, 146, 157, 188; 211/13, 87, 88; 40/124, 124.1, 124.2; 248/DIG. 2**

[56] **References Cited**

U.S. PATENT DOCUMENTS

D. 198,350 6/1964 Bomar, Jr. **D6/28**



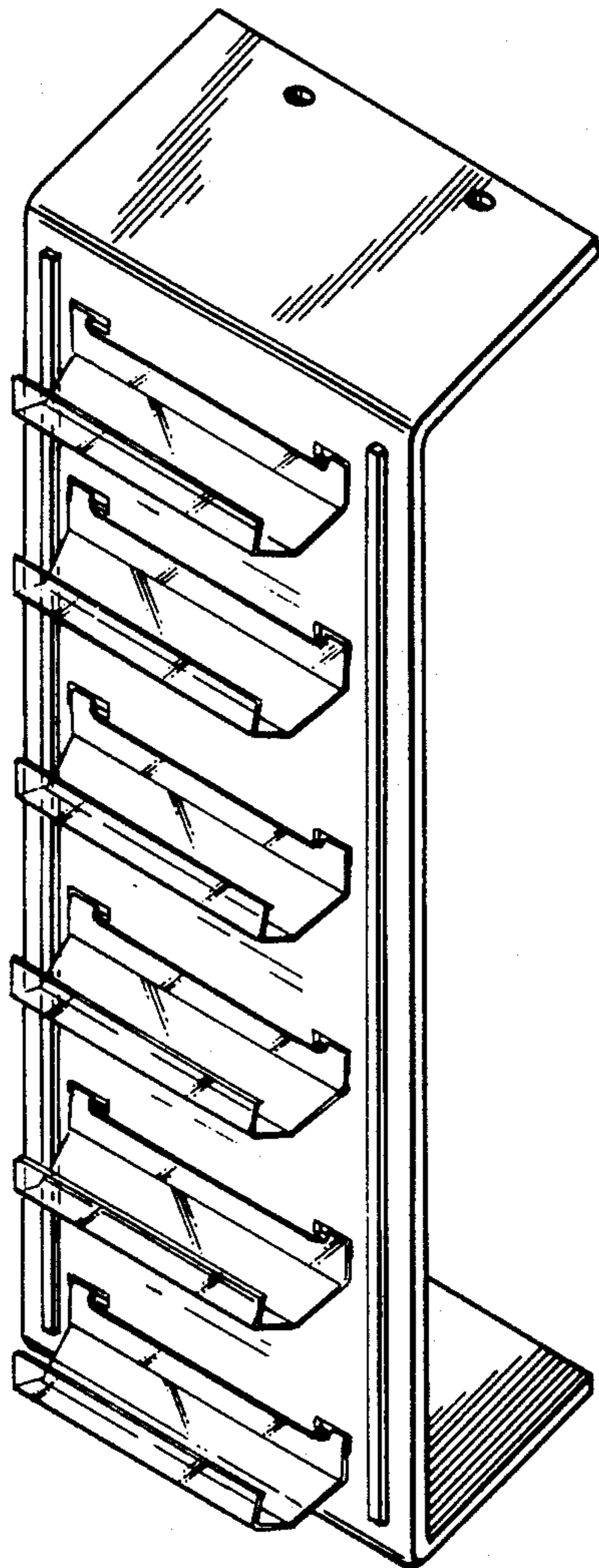


FIG-1

FIG- 2

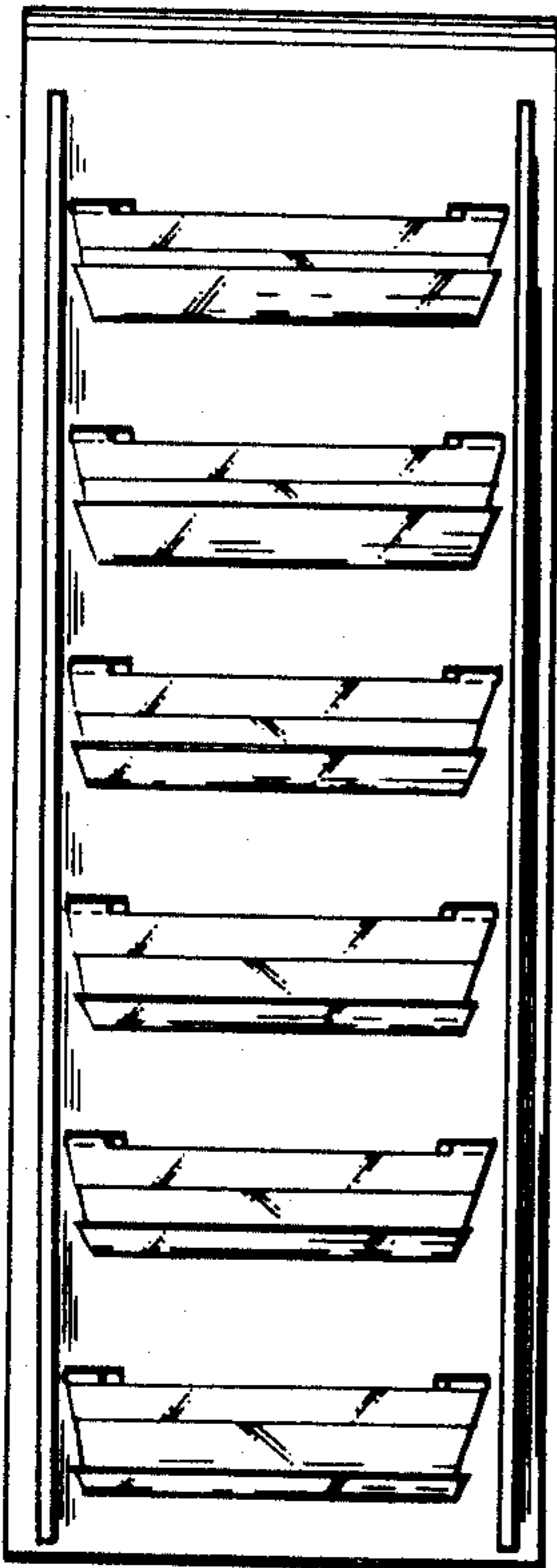


FIG- 3

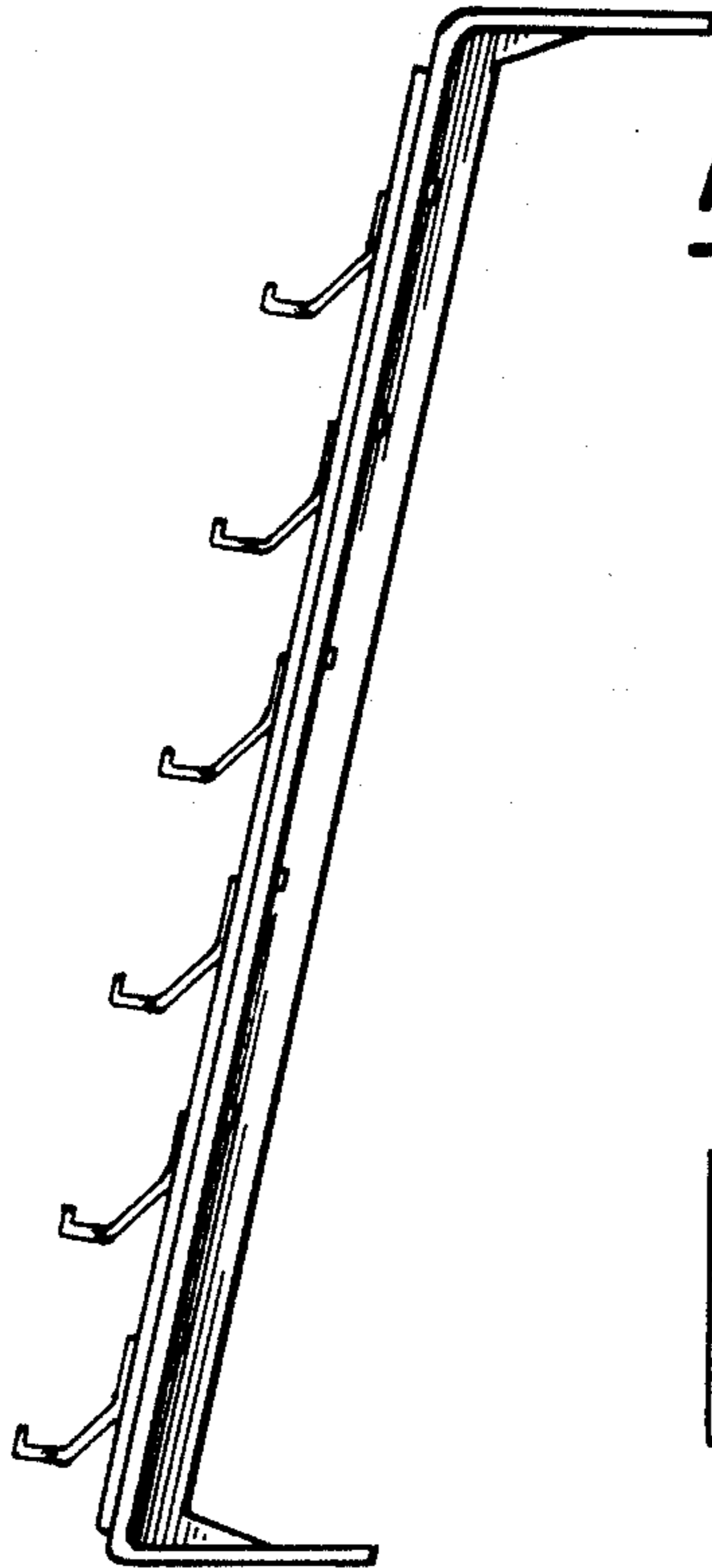


FIG- 6

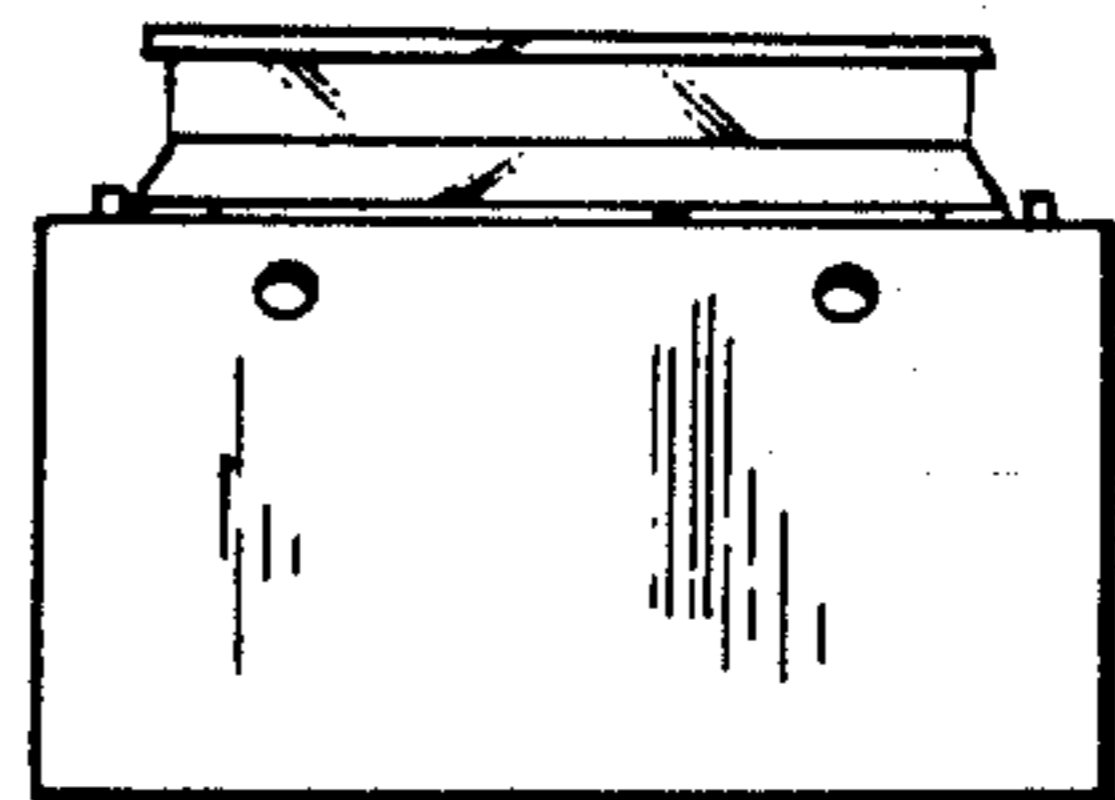


FIG- 4

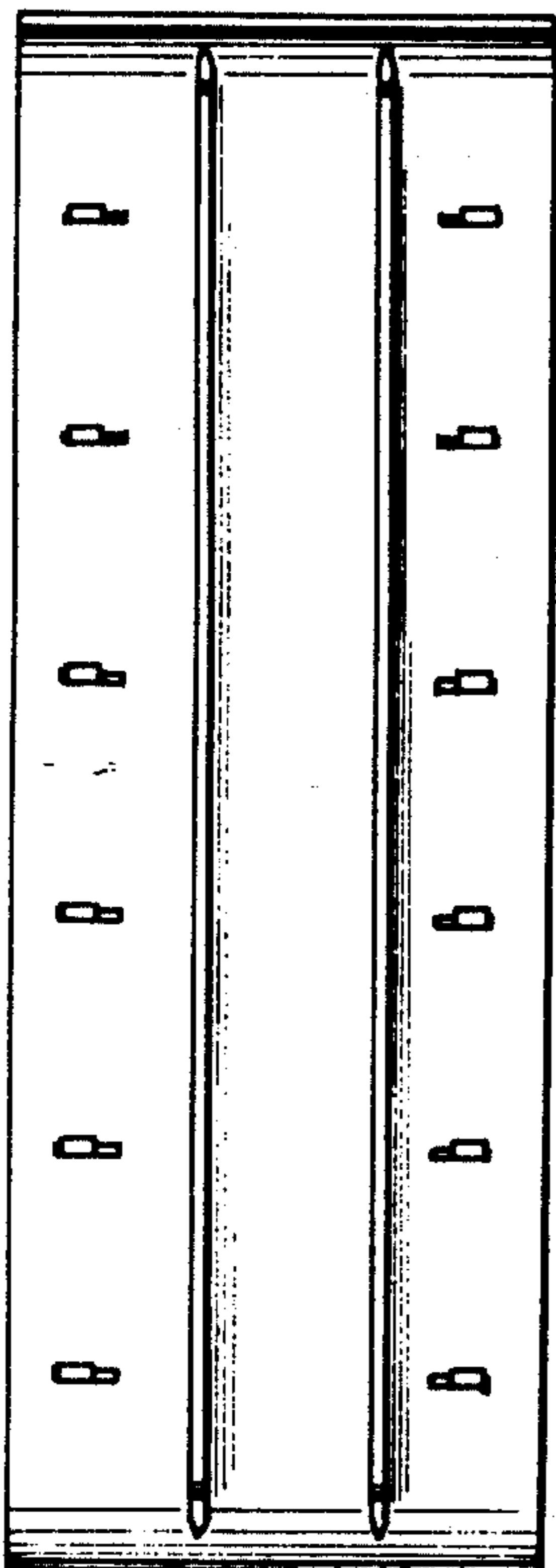


FIG- 7

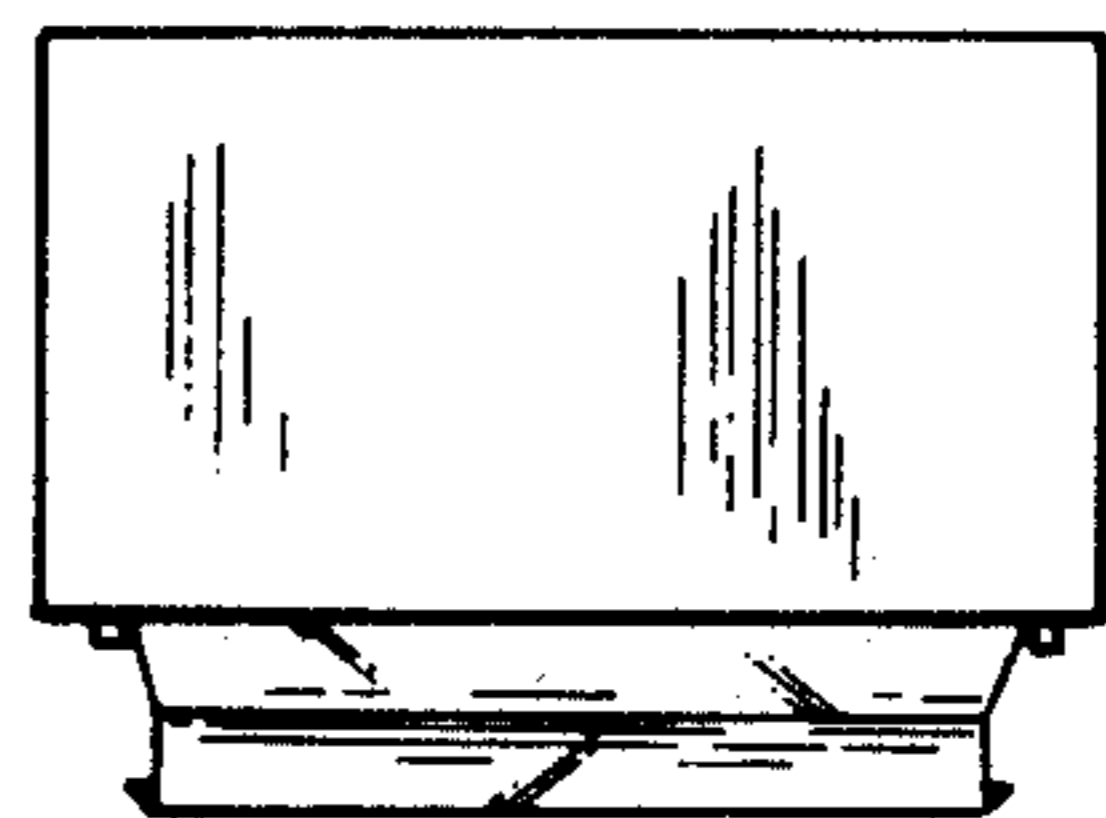


FIG- 5

