

[54] LIGHT FIXTURE

[76] Inventor: Fredrick G. Glassman, 9170 La Alba, Whittier, Calif. 90605

[\*\*] Term: 14 Years

[21] Appl. No.: 802,990

[22] Filed: Jun. 2, 1977

[51] Int. Cl. .... D26-05

[52] U.S. Cl. .... D48/23 R

[58] Field of Search ..... D48/23 R, 3; 362/404, 362/405, 406, 351, 355, 356, 358, 806

[56] References Cited

U.S. PATENT DOCUMENTS

D. 80,953 4/1930 Hoch ..... D48/23 R

OTHER PUBLICATIONS

Lighting & Lamps, 8-1953, p. 39, hanging lamp #93.

Virden Lighting catalog, ©1971, p. 71, hanging lamp #V-2570.

Primary Examiner—Susan J. Lucas  
Attorney, Agent, or Firm—Francis X. Lo Jacono, Sr.

[57] CLAIM

The ornamental design for a light fixture, as shown and described.

DESCRIPTION

FIG. 1 is a perspective view of a light fixture, showing my new design;

FIG. 2 is a top plan view thereof on a reduced scale;

FIG. 3 is a bottom plan view thereof on a reduced scale;

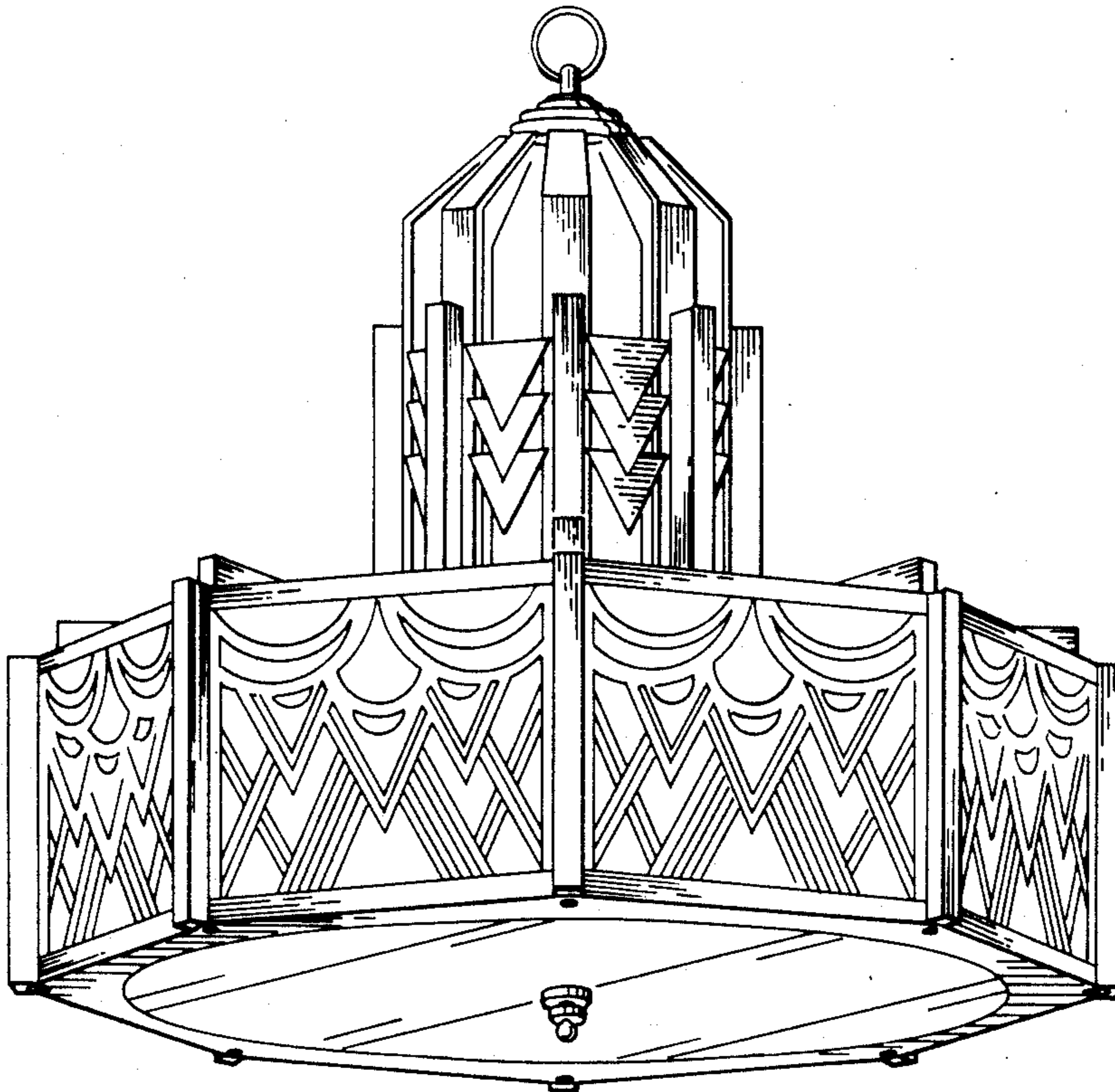
FIG. 4 is a side-elevational view thereof on a reduced scale;

FIG. 5 is a perspective view of an alternative embodiment of my new design for a light fixture;

FIG. 6 is a perspective view of another alternative embodiment of my new design for a light fixture;

FIG. 7 is a top plan view thereof on a reduced scale; and

FIG. 8 is a bottom plan view thereof on a reduced scale.



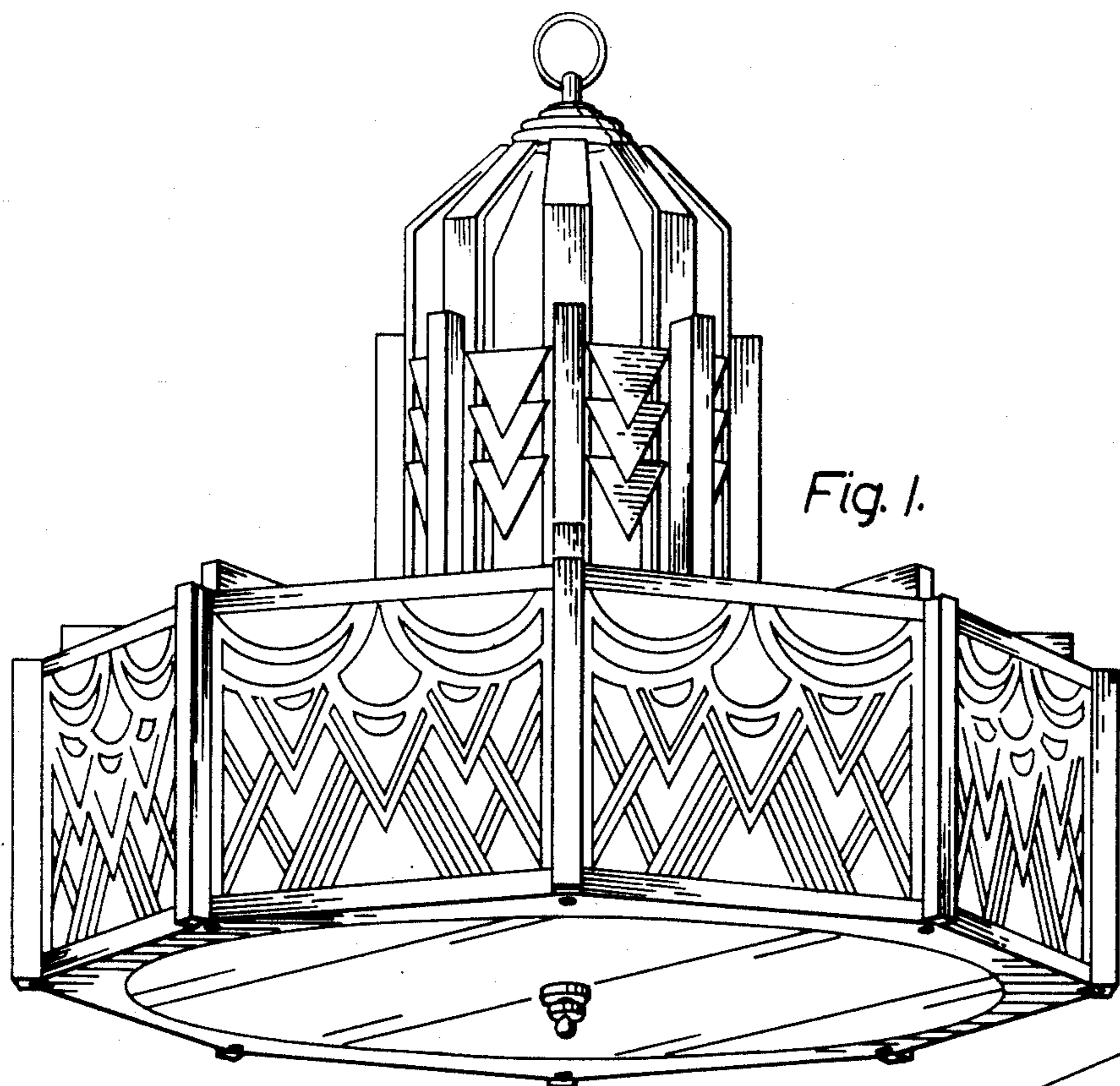


Fig. 1.

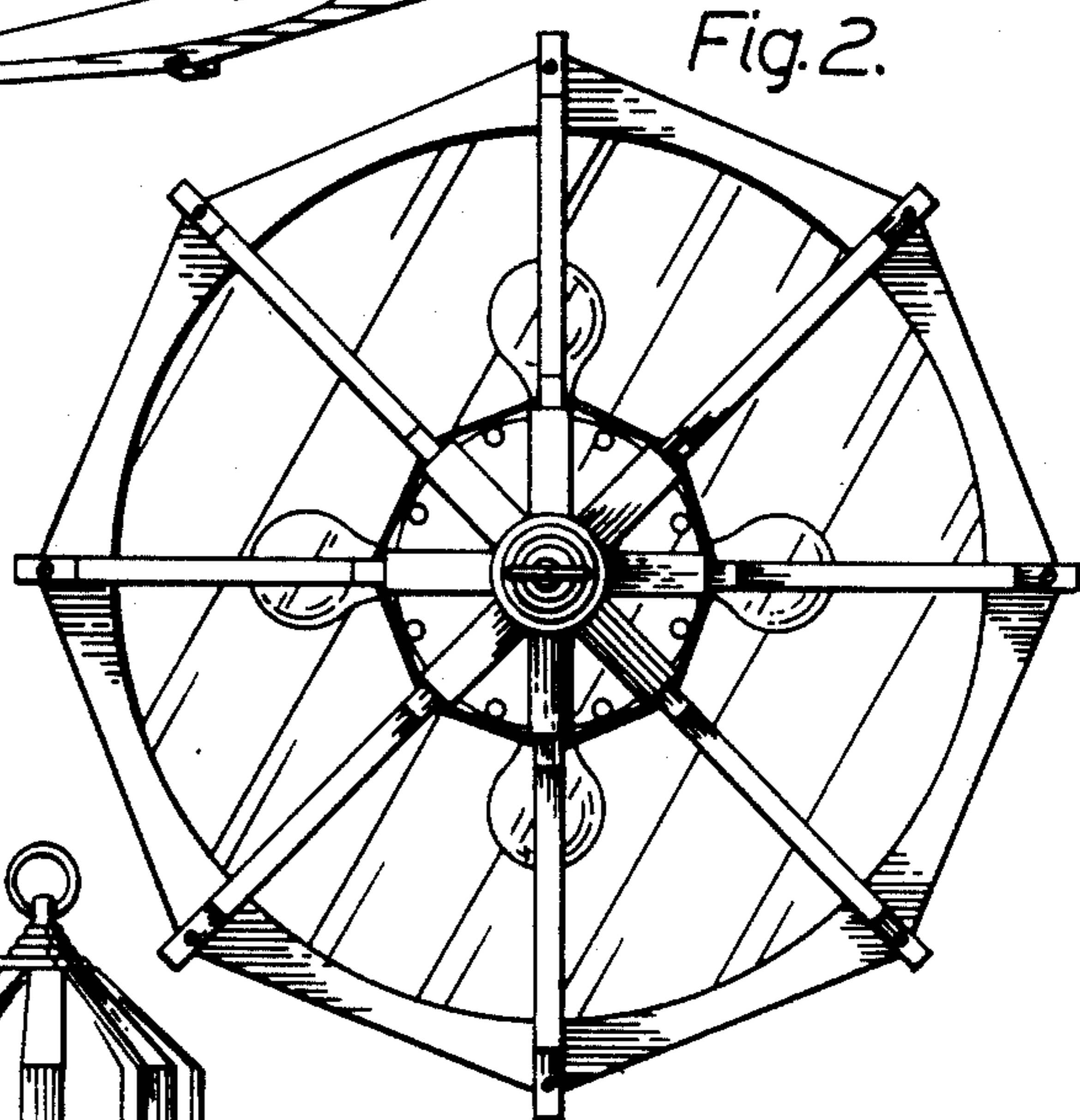


Fig. 2.

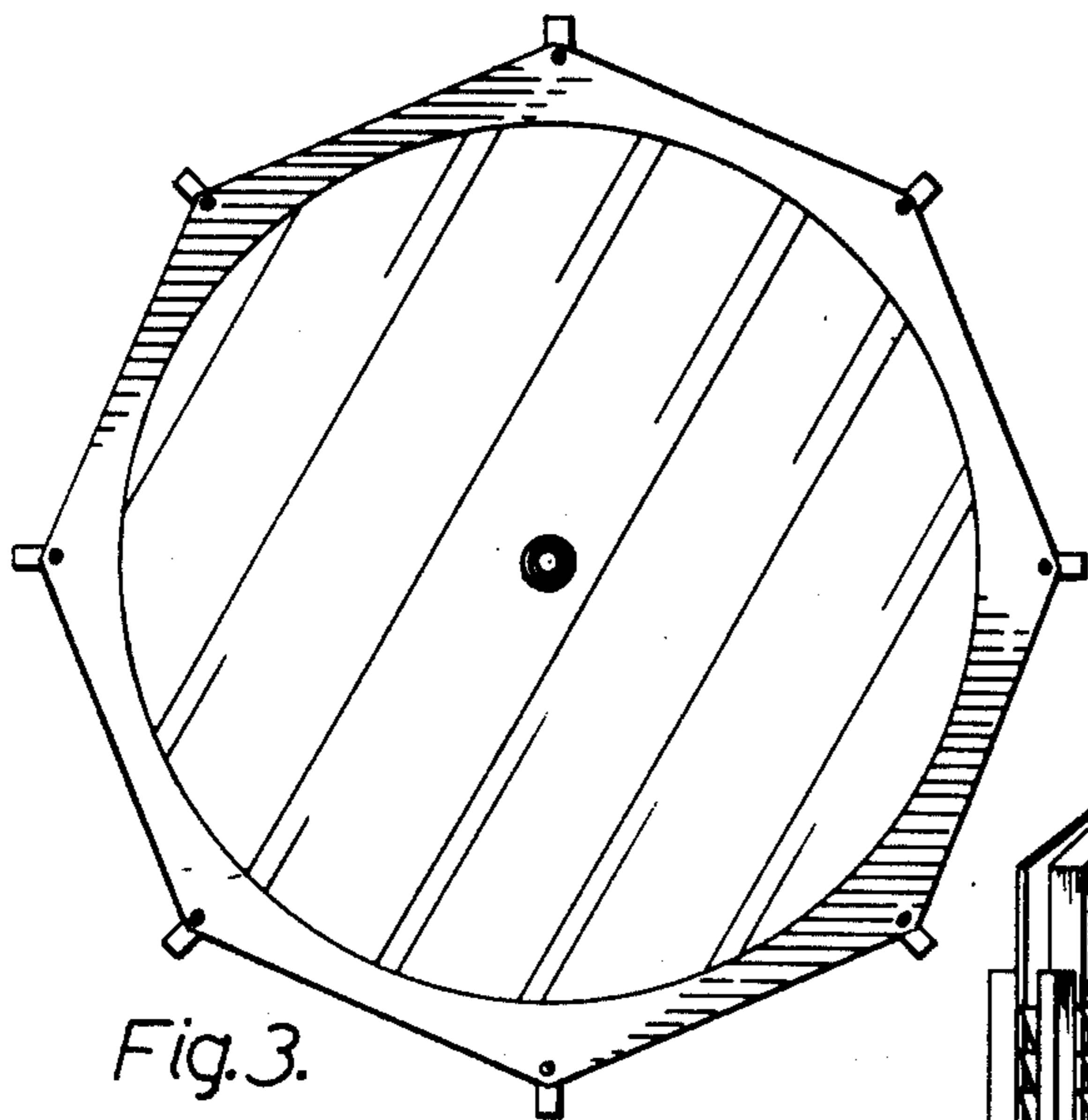


Fig. 3.

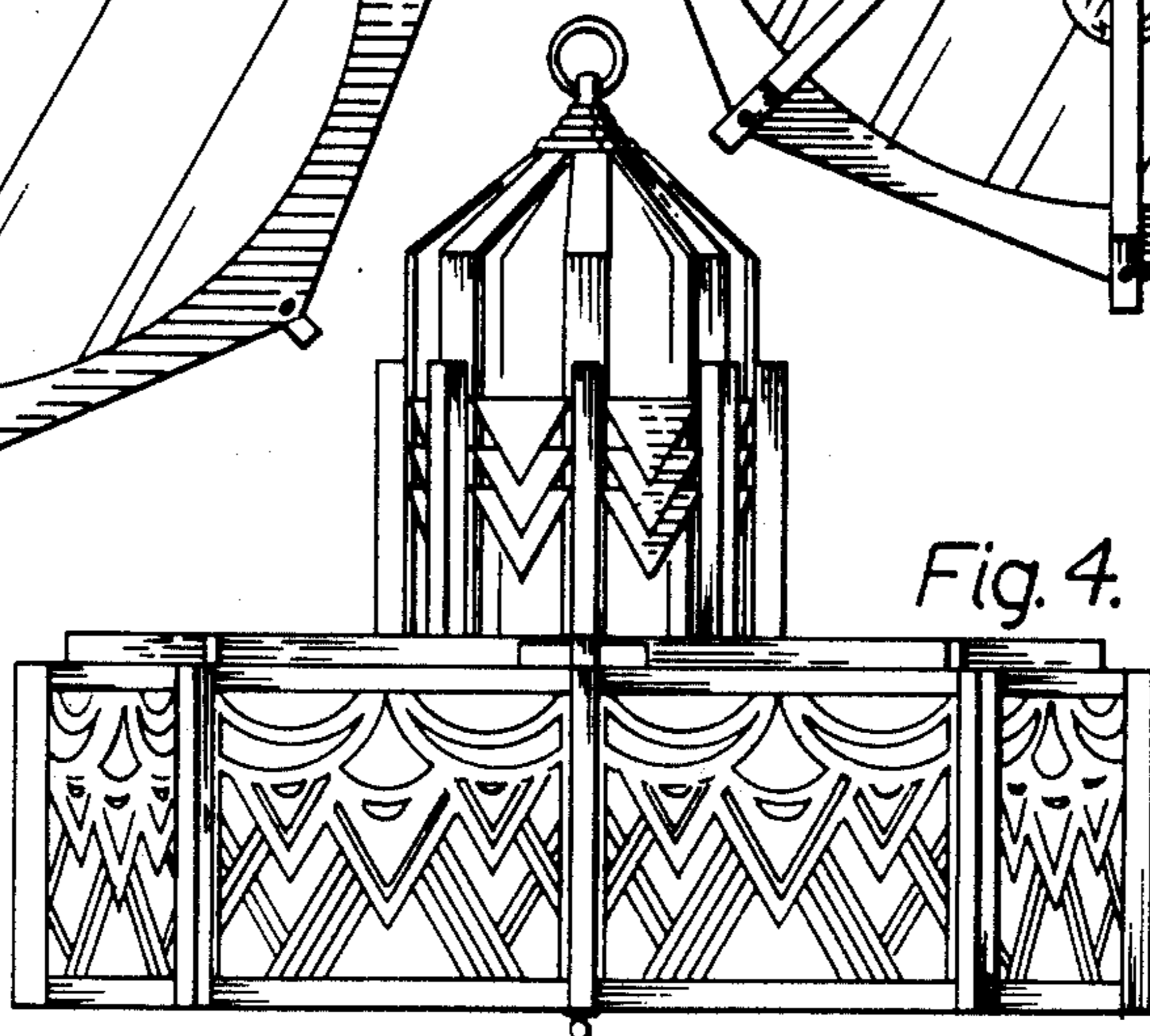


Fig. 4.

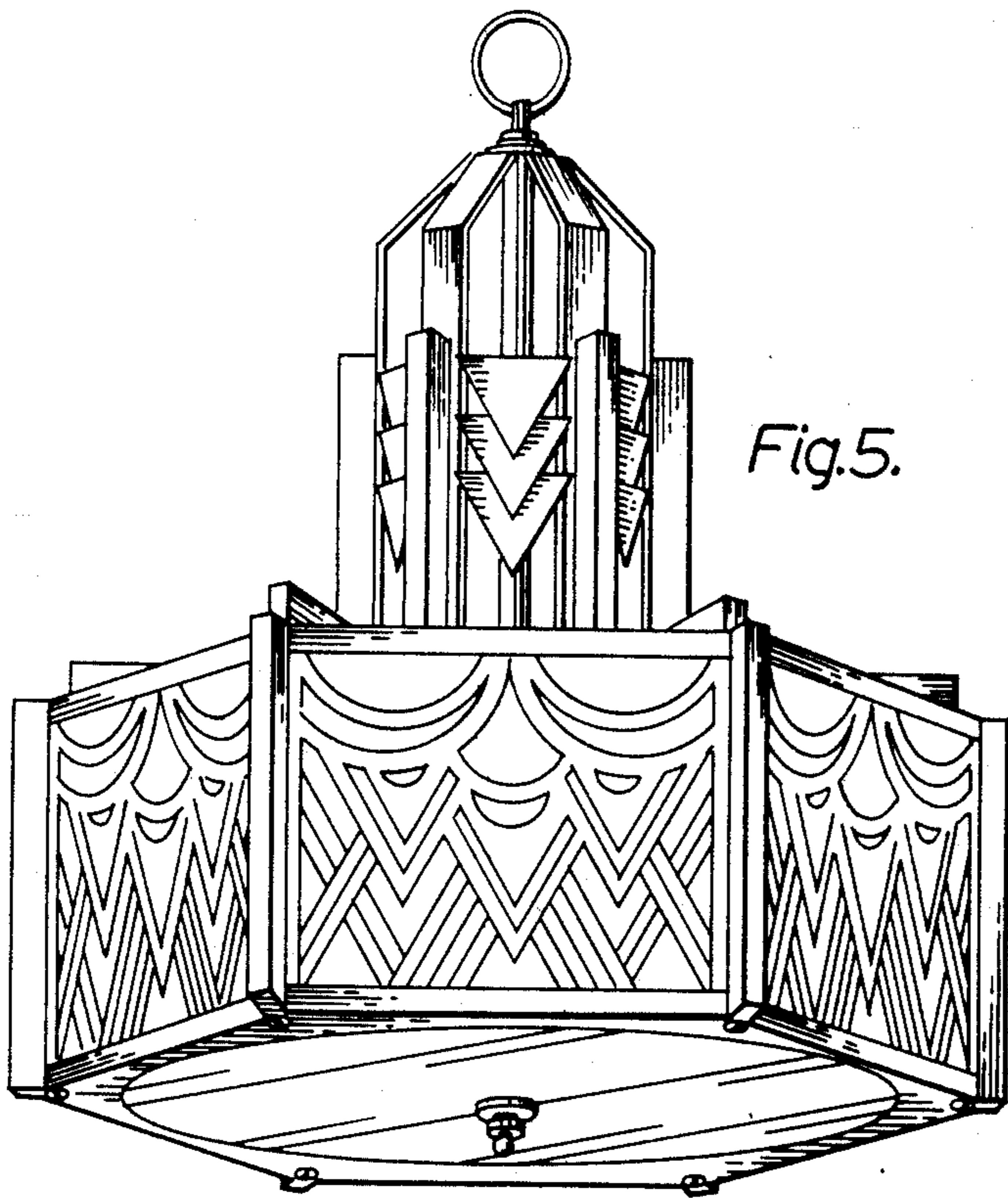


Fig. 5.

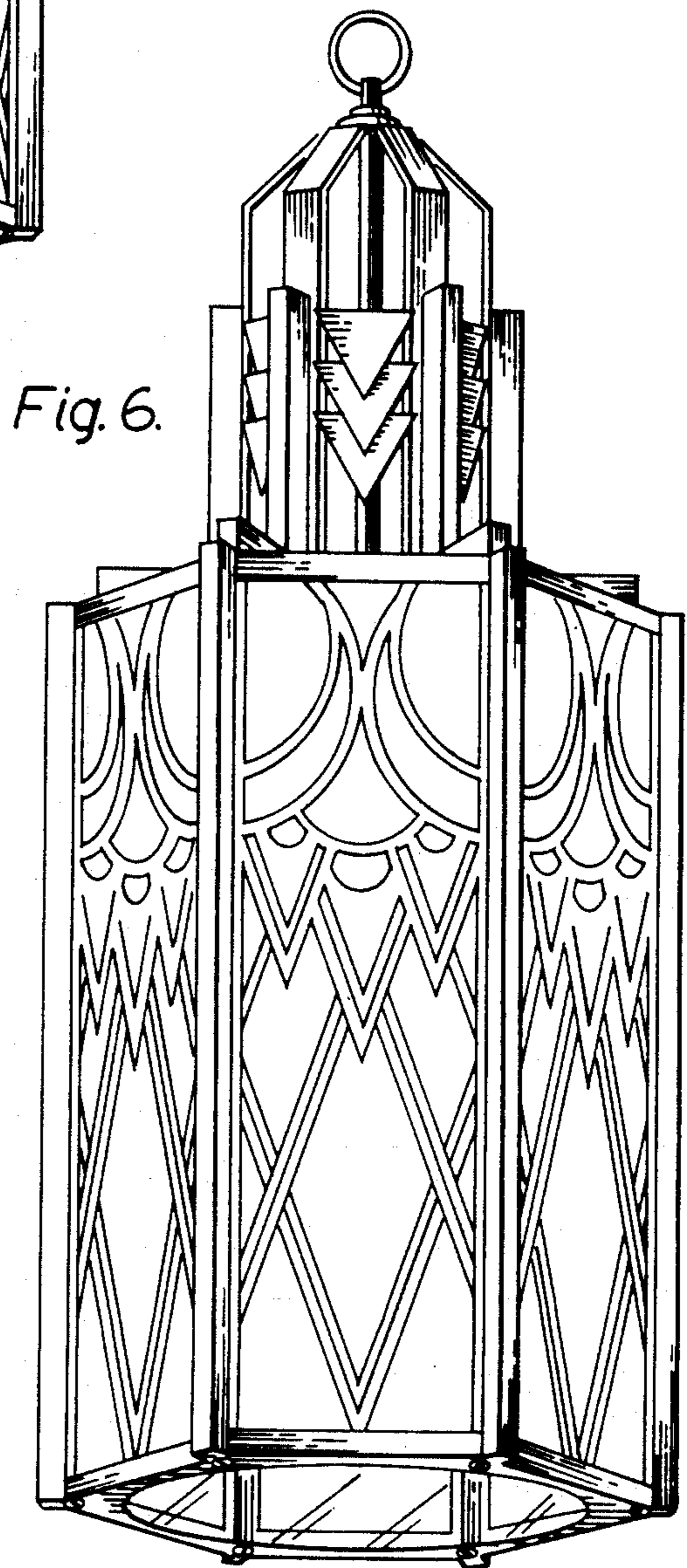


Fig. 6.

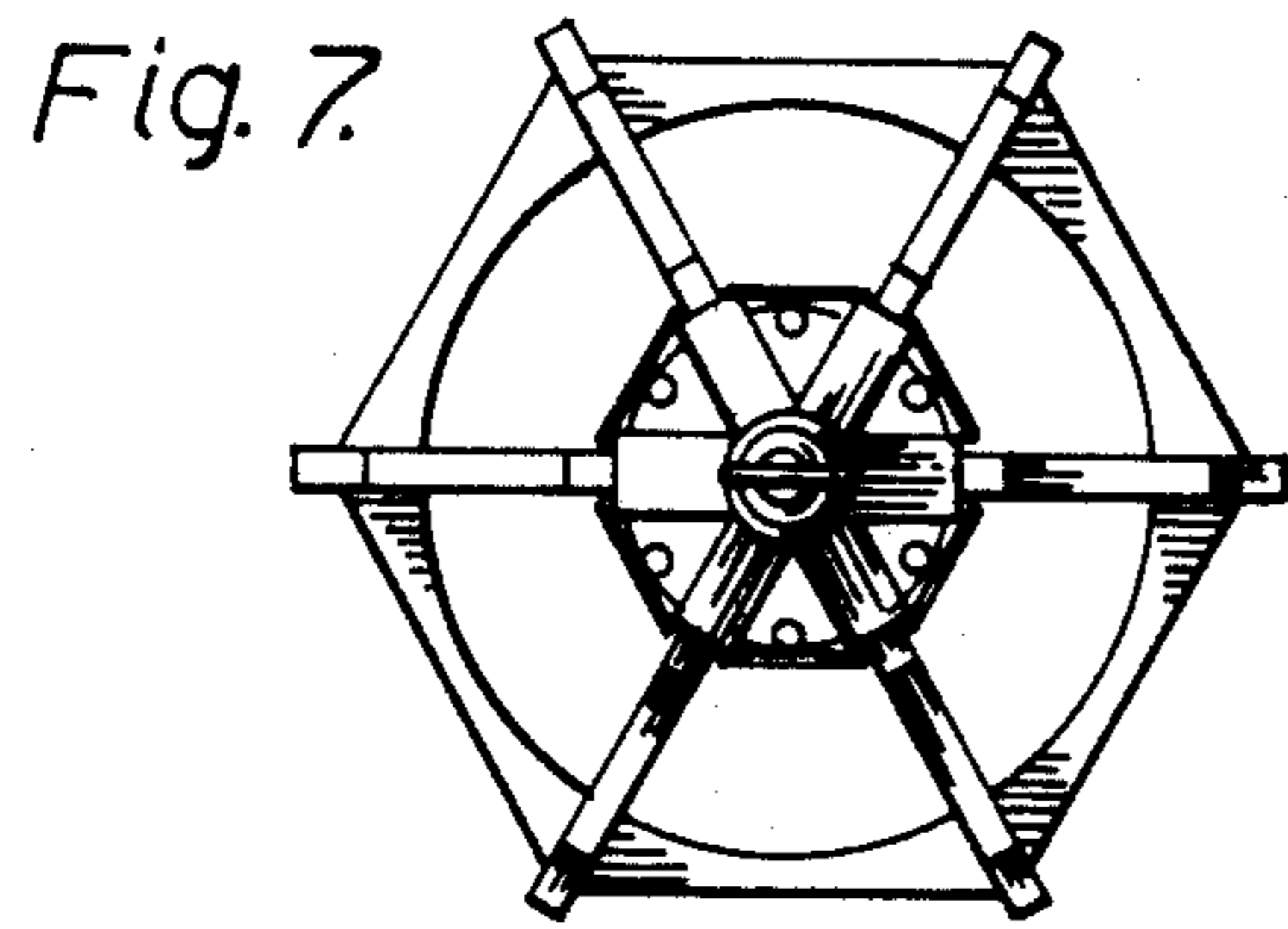


Fig. 7.

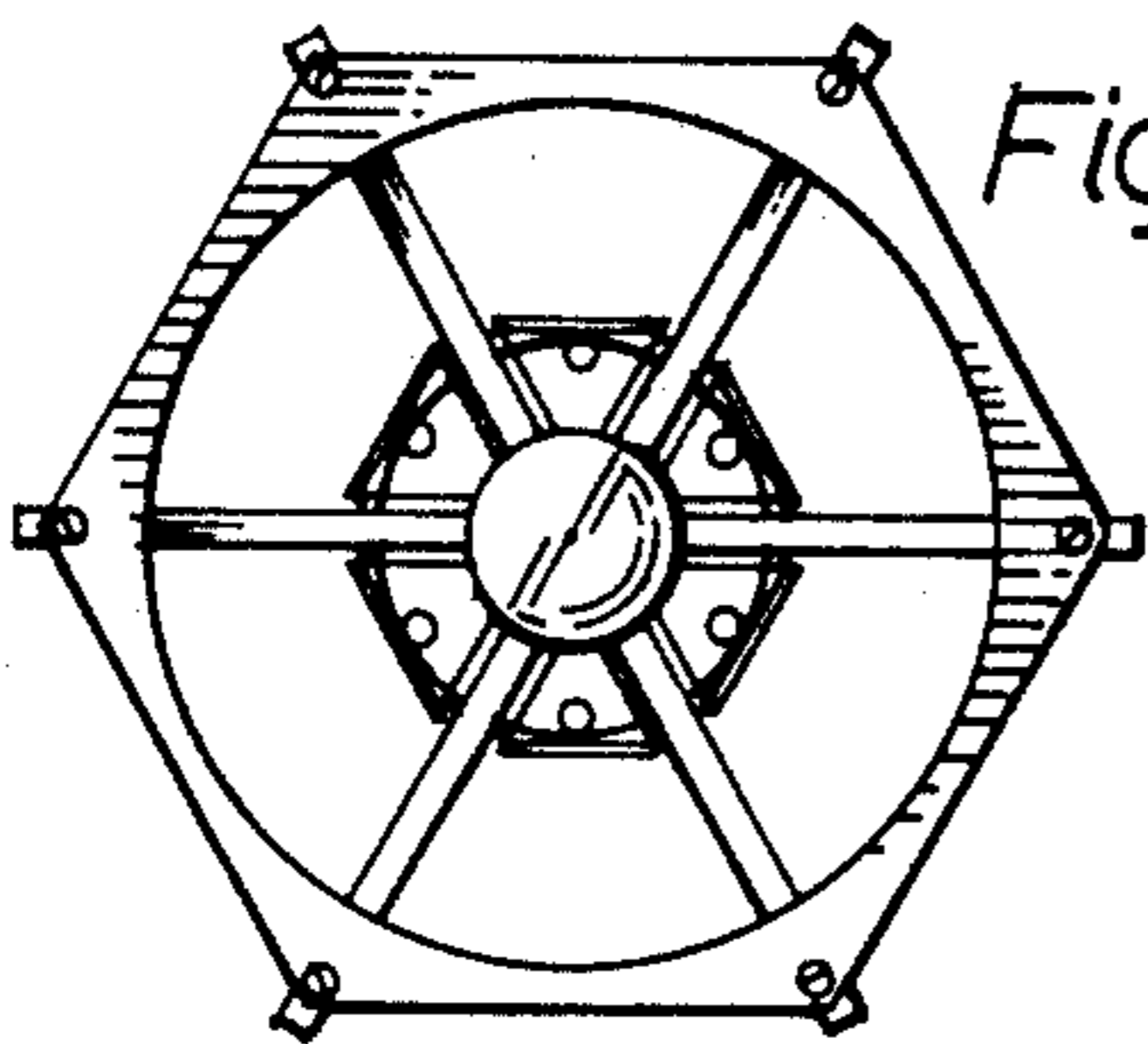


Fig. 8.