

[54] TOY MOLD

[75] Inventor: Frederick W. Bassinger, Edina, Minn.

[73] Assignee: K-tel International, Inc.

[**] Term: 14 Years

[21] Appl. No.: 765,910

[22] Filed: Feb. 7, 1977

[51] Int. Cl. D21-01

[52] U.S. Cl. D21/120

[58] Field of Search D34/15 V, 15 R; D8/43; 46/1 R; 272/8 R, 8 N, 1 A; 425/DIG. 57; 249/117

[56] References Cited

U.S. PATENT DOCUMENTS

- D. 232,045 7/1974 Petrillo D7/43
- D. 240,992 8/1976 Boucher D7/43
- D. 246,064 10/1977 Koblick D34/15 V

OTHER PUBLICATIONS

Playthings, 1-1958, p. 18, Toy pail at top of page.

Primary Examiner—Joel Stearman

Assistant Examiner—Charles A. Rademaker

Attorney, Agent, or Firm—George B. Newitt

[57] CLAIM

The ornamental design for a toy mold, as shown and described.

DESCRIPTION

FIG. 1 is a perspective view of a toy mold showing my new design;

FIG. 2 is a front elevational view thereof, the side opposite being substantially identical;

FIG. 3 is a side elevational view thereof, the side opposite being substantially identical;

FIG. 4 is a top plan view thereof; and,

FIG. 5 is a bottom plan view thereof.

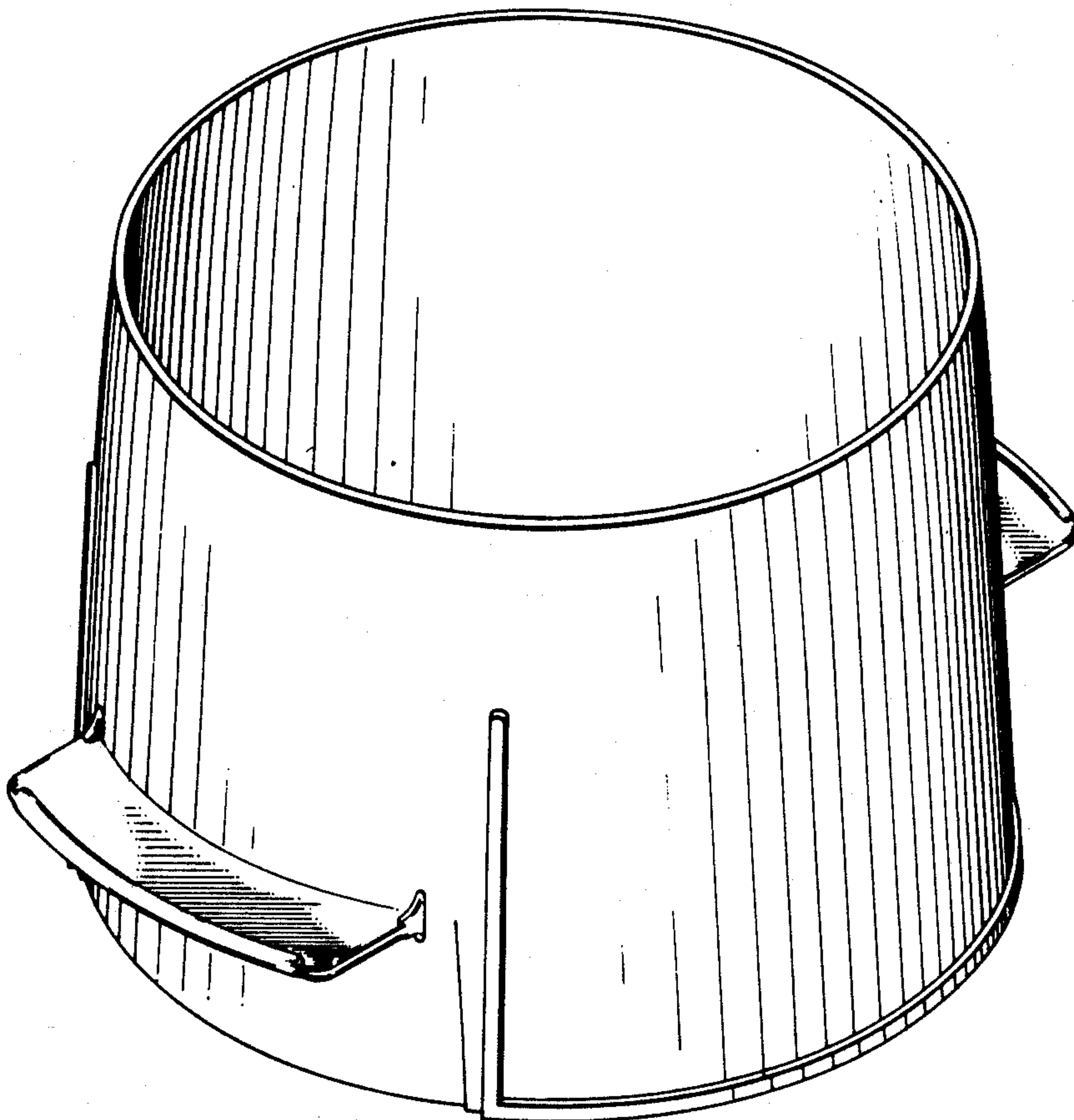


Fig. 1

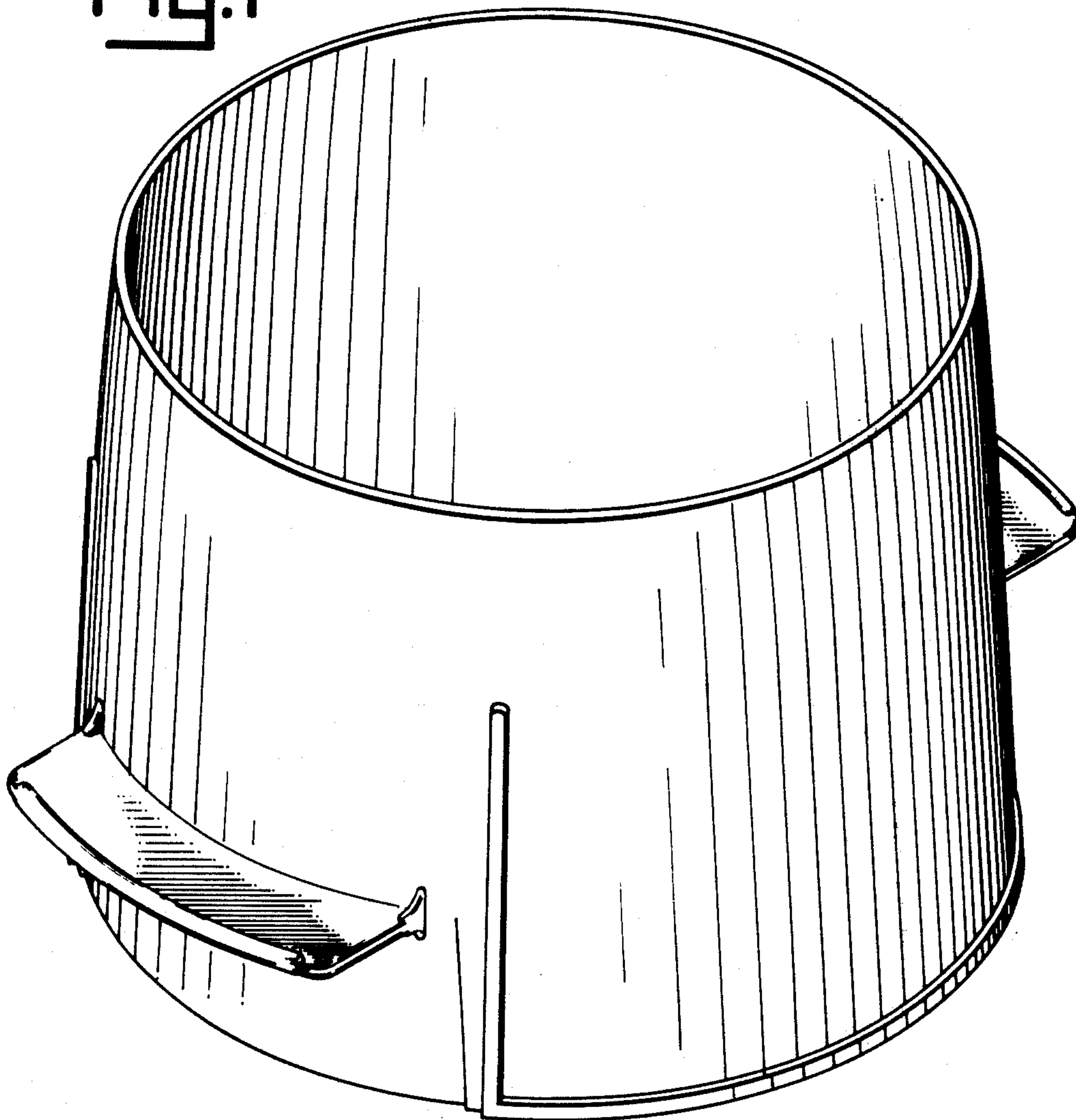


Fig. 2

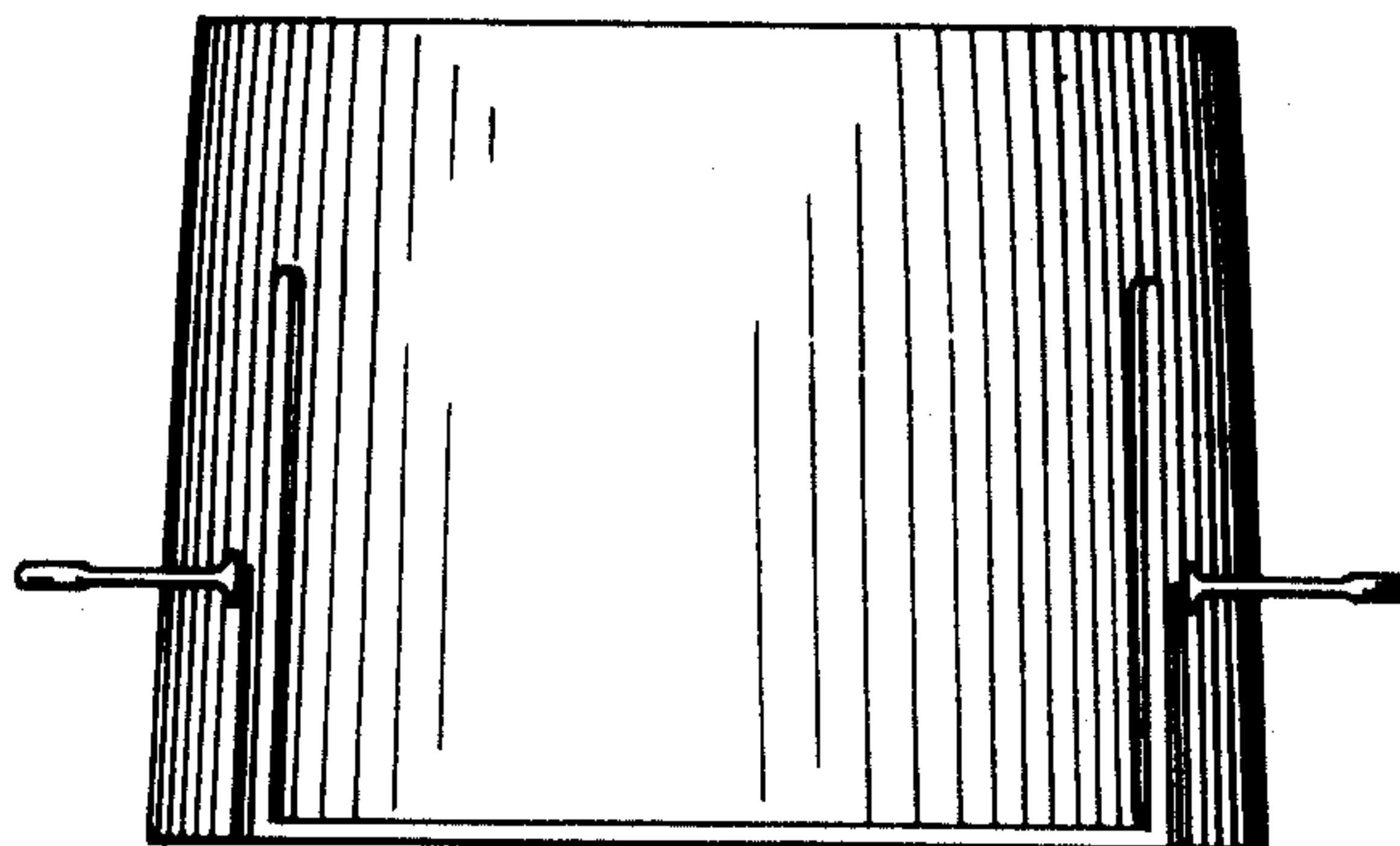


Fig. 3

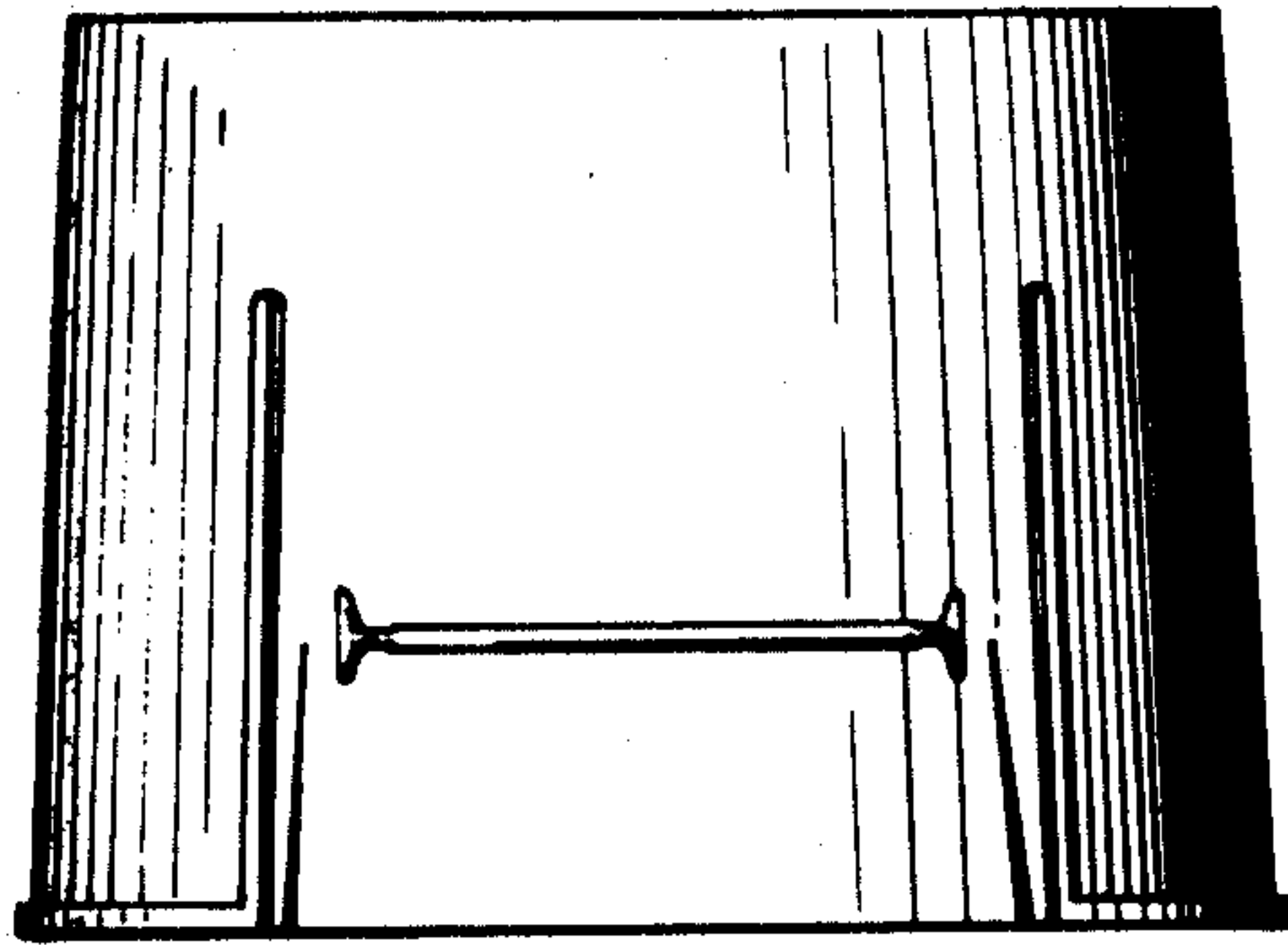


Fig. 4

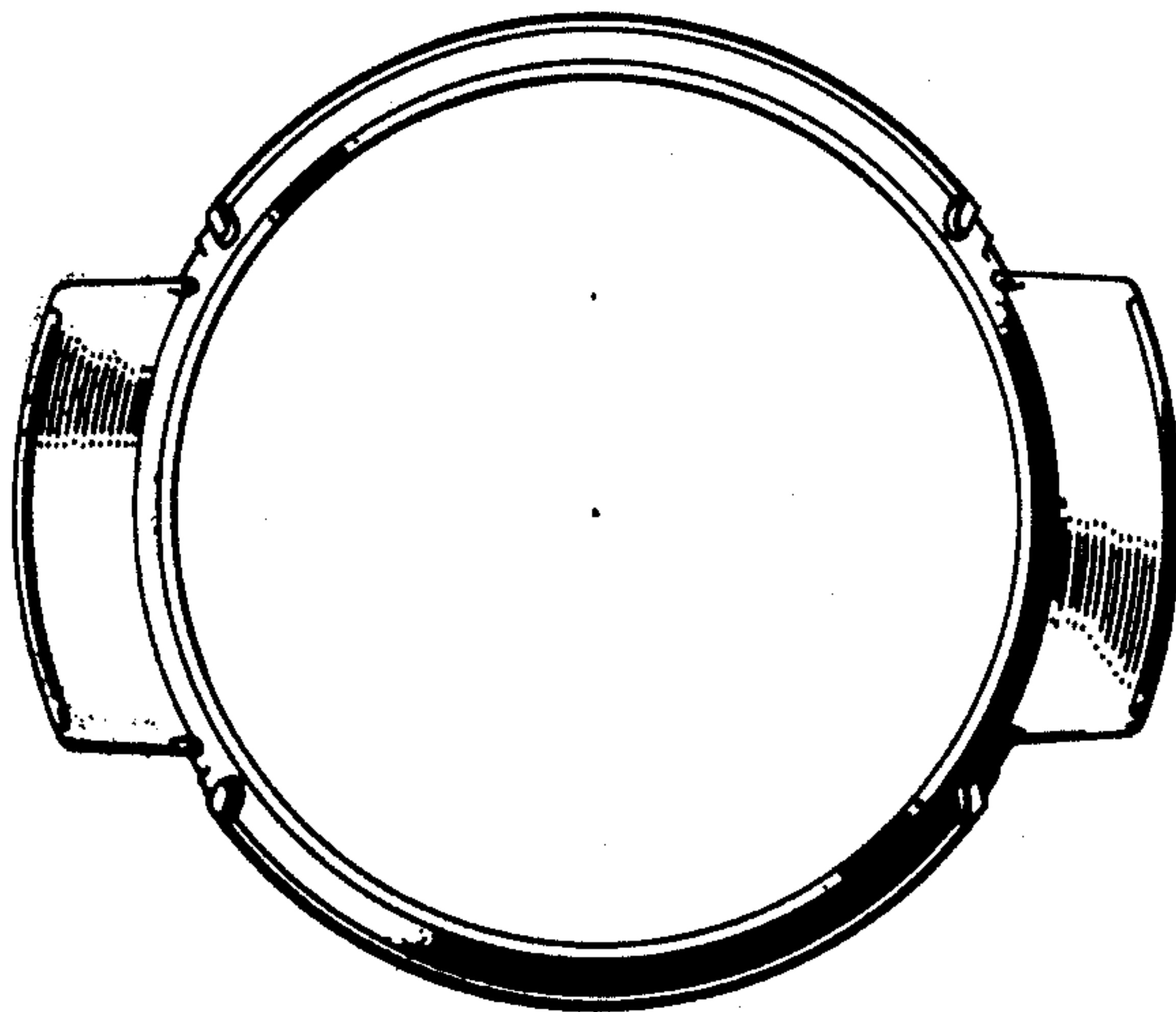


Fig. 5

