

[54] **TAMPER PROOF TRAY FOR HYPODERMIC SYRINGES**

[75] Inventor: **Joseph E. Brady**, West Chester, Pa.

[73] Assignee: **American Home Products Corporation**, New York, N.Y.

[**] Term: **14 Years**

[21] Appl. No.: **799,915**

[22] Filed: **May 23, 1977**

[51] Int. Cl. **D24-04**

[52] U.S. Cl. **D24/31; D9/219; D9/224; D9/242; 206/366**

[58] Field of Search **206/366, 459, 497, 558, 206/565, 604; D9/185, 187, 188, 189, 184, 224, 242, 219; D24/31**

[56] **References Cited**

U.S. PATENT DOCUMENTS

D. 234,722	4/1975	Head et al.	D24/31
D. 248,871	8/1978	Forsman	D24/31
3,489,268	1/1970	Meierhoefer	206/366
3,494,458	2/1970	Meierhoefer	206/366
3,727,749	4/1973	Martin	206/366

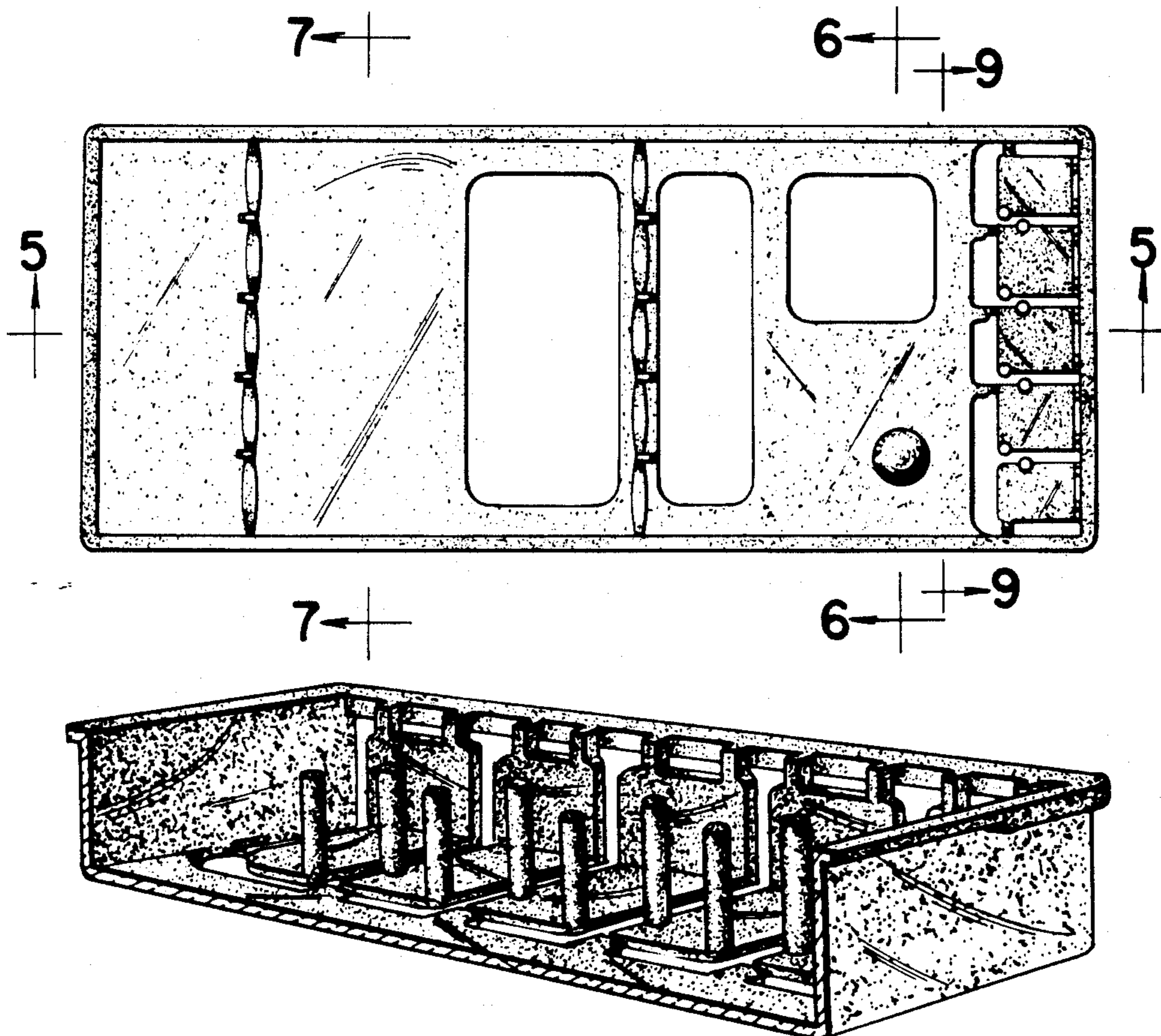
Primary Examiner—**Bernard Ansher**
Attorney, Agent, or Firm—**John W. Routh**

[57] **CLAIM**

The ornamental design for a tamper proof tray for hypodermic syringes, as shown and described.

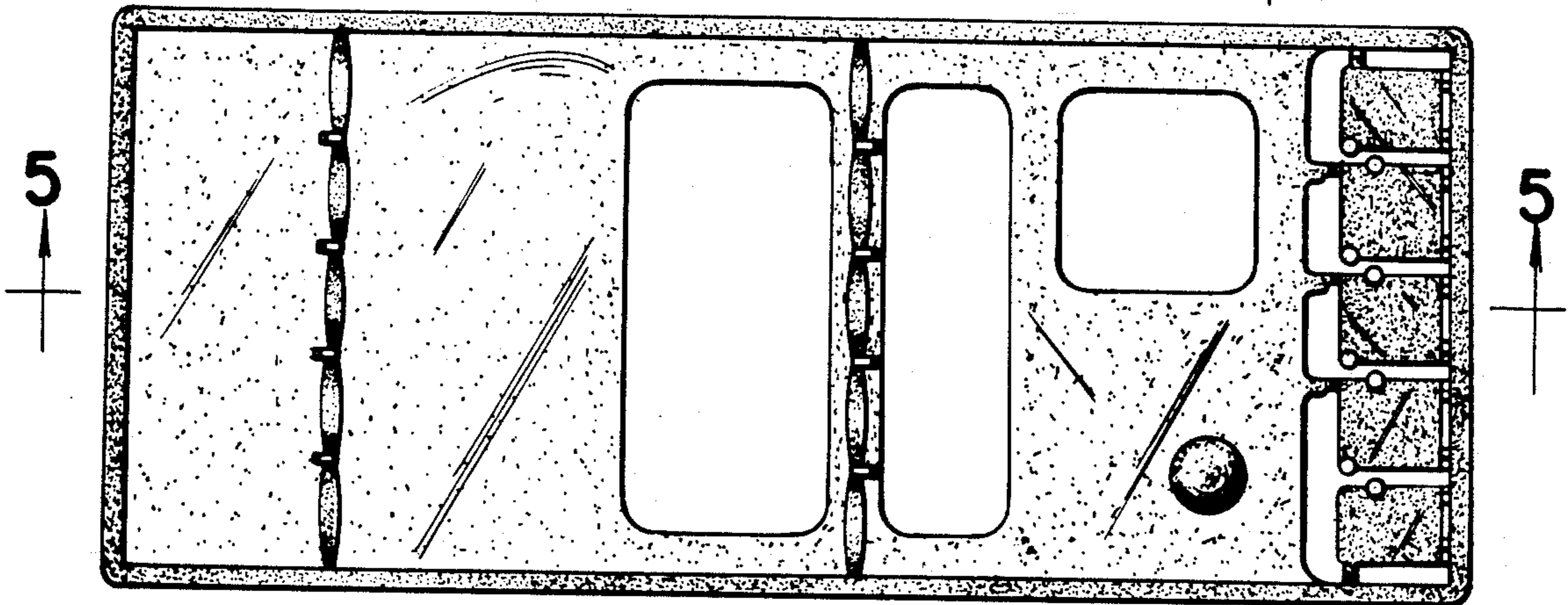
DESCRIPTION

FIG. 1 is a top plan view of a tamper proof tray; FIG. 2 is a side view; FIG. 3 is an end view of one end; FIG. 4 is an end view of the other end; FIG. 5 is a sectional view taken generally along lines 5-5 of FIG. 1; FIG. 6 is a sectional view taken generally along lines 6-6 of FIG. 1; FIG. 7 is a sectional view taken generally along lines 7-7 of FIG. 1; FIG. 8 is a bottom view; FIG. 9 is a perspective sectional taken generally along lines 9-9 of FIG. 1; FIG. 10 is a top plan view of an alternate embodiment of a tamper proof tray; FIG. 11 is a side view thereof; FIG. 12 is an end view of one end thereof; FIG. 13 is an end view of the other end thereof; FIG. 14 is a sectional view taken generally along lines 14-14 of FIG. 10; FIG. 15 is a sectional view taken generally along lines 15-15 of FIG. 10; FIG. 16 is a sectional view taken generally along lines 16-16 of FIG. 10; and FIG. 17 is a bottom view of the embodiment of FIG. 10.



7 ← | FIG. 1

6 ← | | → 9



7 ← |

6 ← | | → 9

FIG. 2

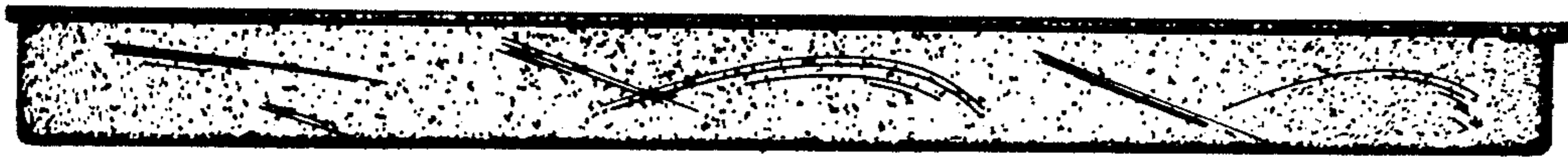


FIG. 3

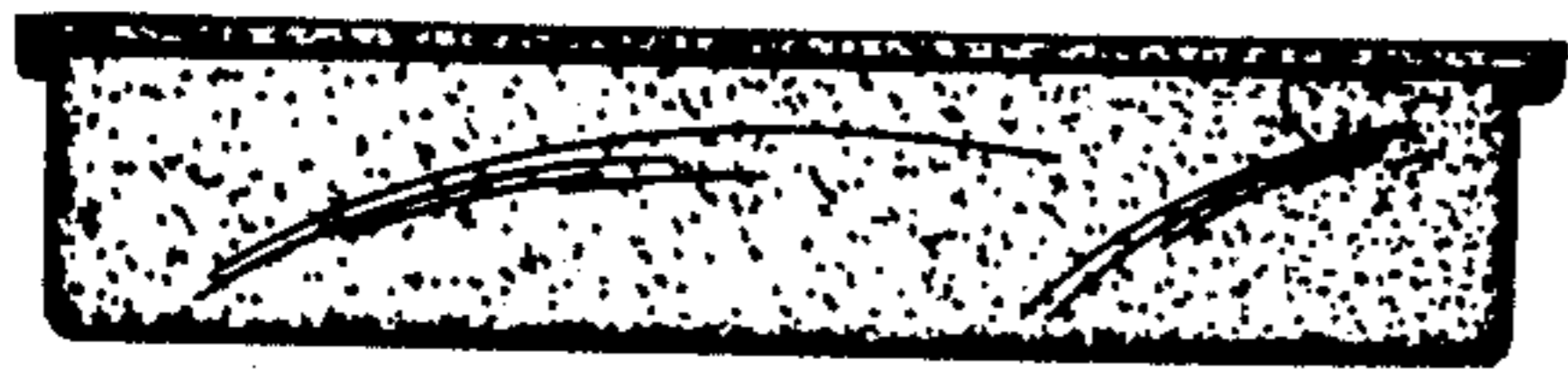


FIG. 4



FIG. 5

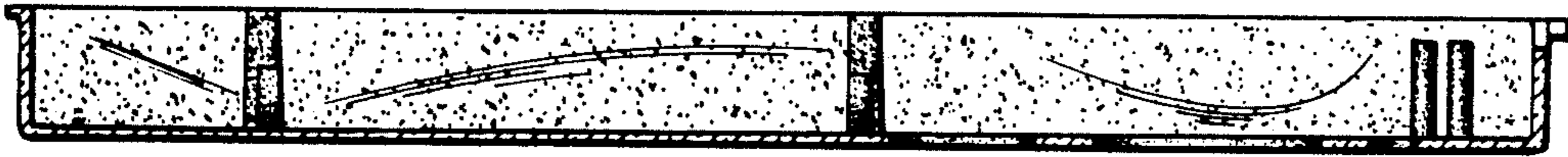


FIG. 6



FIG. 7



FIG. 8

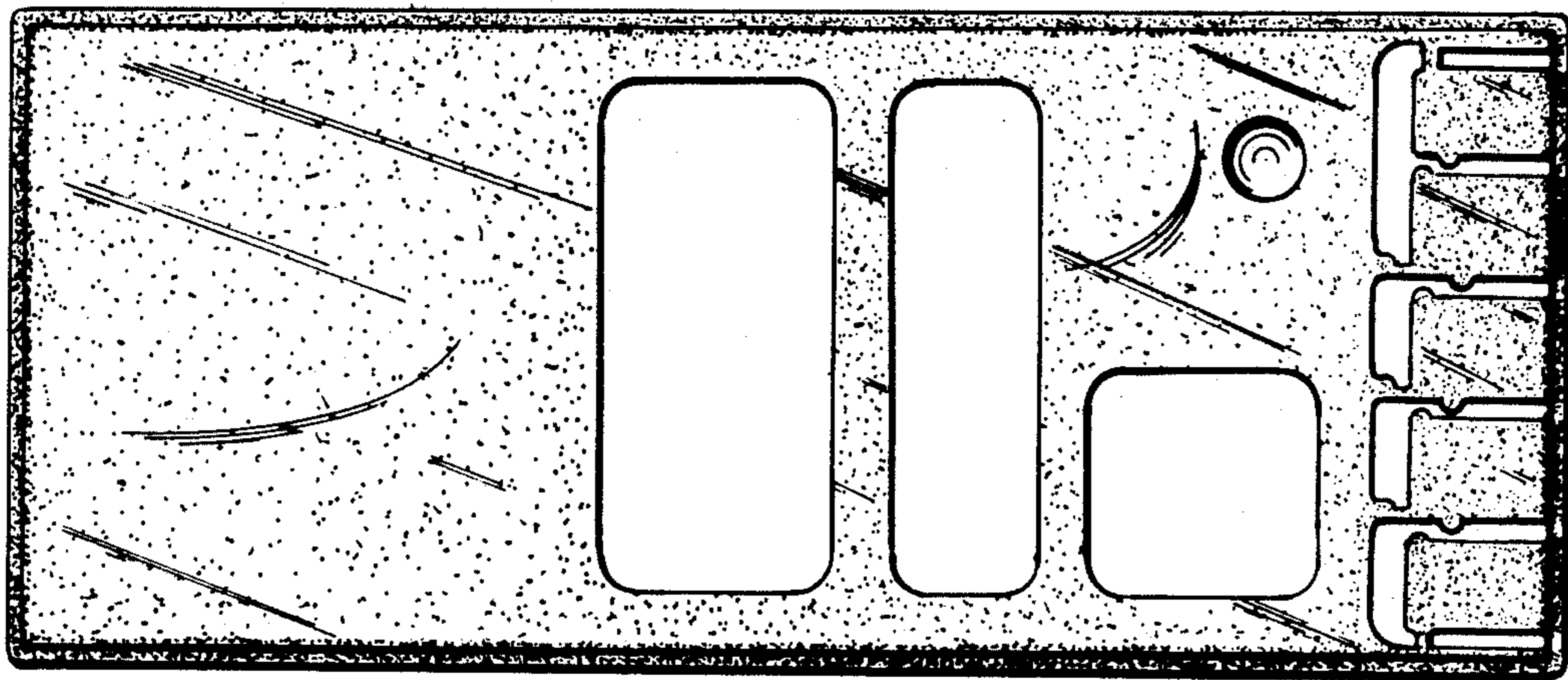


FIG. 9

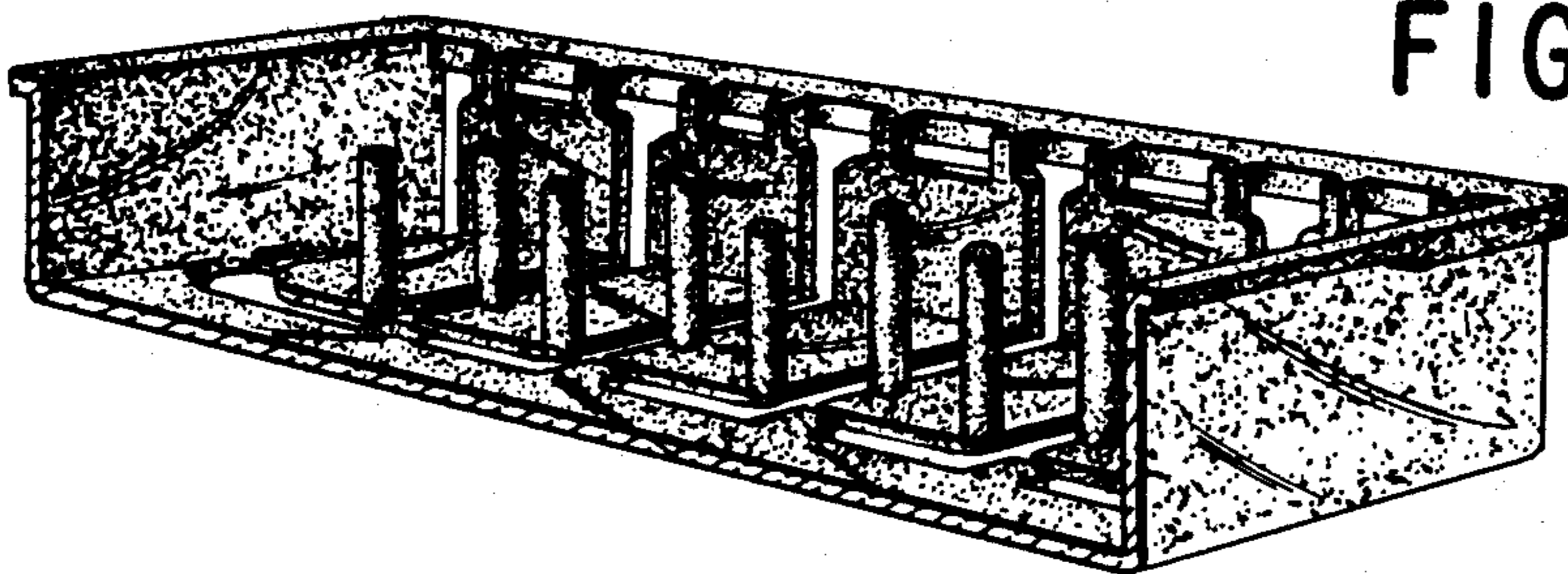


FIG. 10

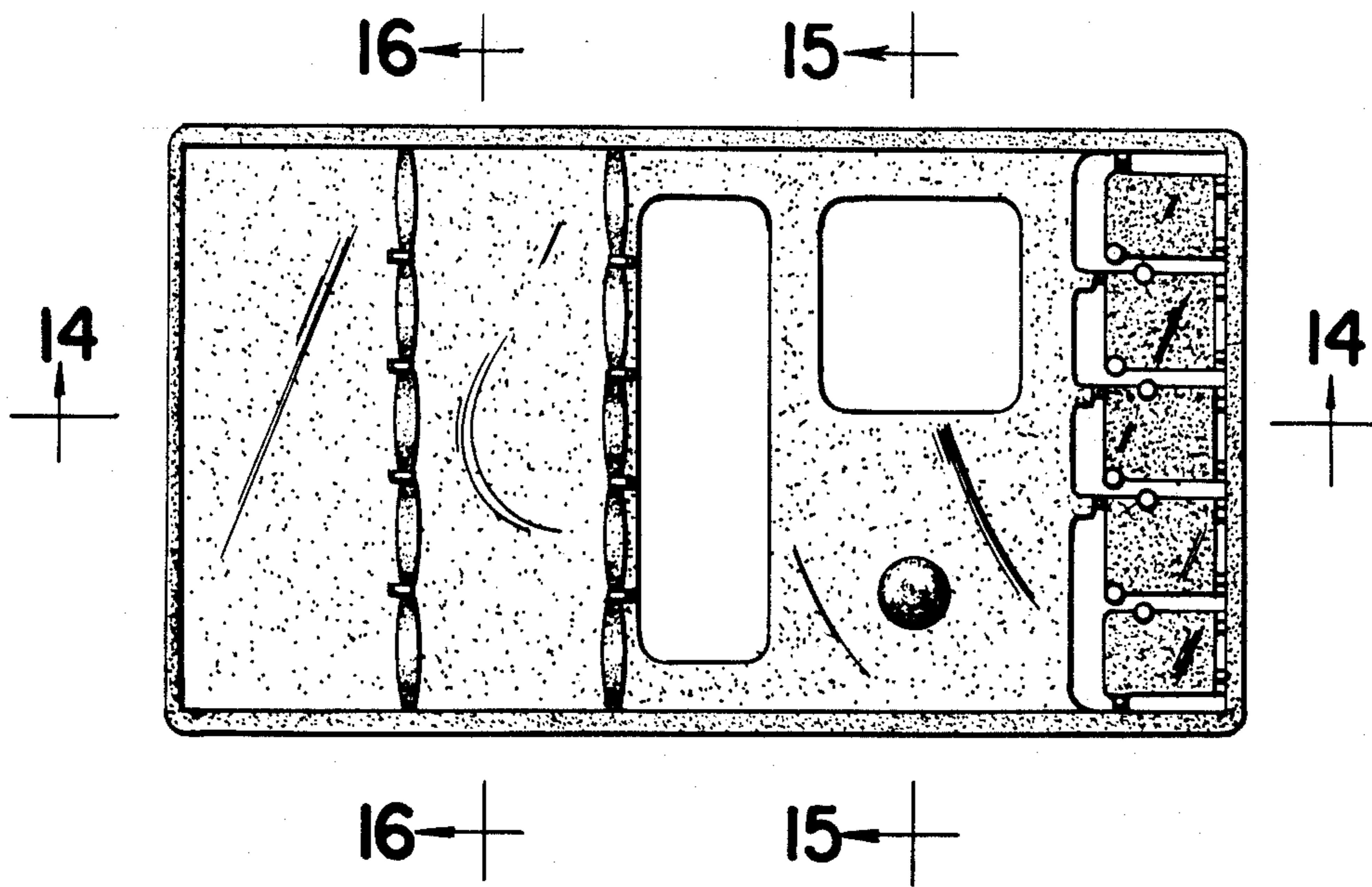


FIG. 11



FIG. 12

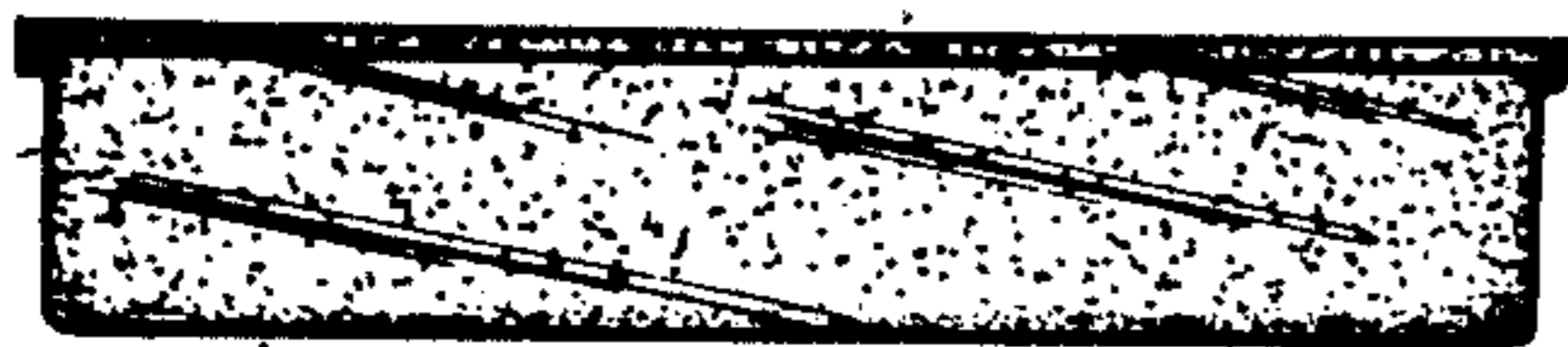


FIG. 13



FIG. 14



FIG. 15



FIG. 16



FIG. 17

