

[54] DESK TOP FILE

[76] Inventor: Donald I. Small, 60 Woodward Rd., West Springfield, Mass. 01089

[**] Term: 14 Years

[21] Appl. No.: 834,139

[22] Filed: Sep. 16, 1977

[51] Int. Cl. D19-02

[52] U.S. Cl. D19/90; D6/130; D6/188

[58] Field of Search D19/75, 86, 90, 91; D6/130, 140, 188, 189; 312/184; 211/10-11, 50

[56] References Cited

U.S. PATENT DOCUMENTS

D. 55,077	5/1920	Page	D19/90
D. 194,525	2/1963	D'Arcy	D19/90
3,396,731	8/1968	Peebles	312/184

OTHER PUBLICATIONS

Horder's Inc. Cat. #56, 1952, p. 26, item #E8-566.

Primary Examiner—Joel Stearman
Assistant Examiner—George P. Word
Attorney, Agent, or Firm—Alonzo L. Neal

[57] CLAIM

The ornamental design for a desk top file, as shown and described.

DESCRIPTION

FIG. 1 is a perspective view of a desk top file showing my new design, a corner portion of the uppermost divider being omitted for convenience of illustration; FIG. 2 is a bottom rear perspective view thereof with the divider corner restored; FIG. 3 is a reduced scale top plan view thereof; FIG. 4 is a right side elevational view thereof with a portion of the side panel broken away; and FIG. 5 is a bottom plan view thereof.

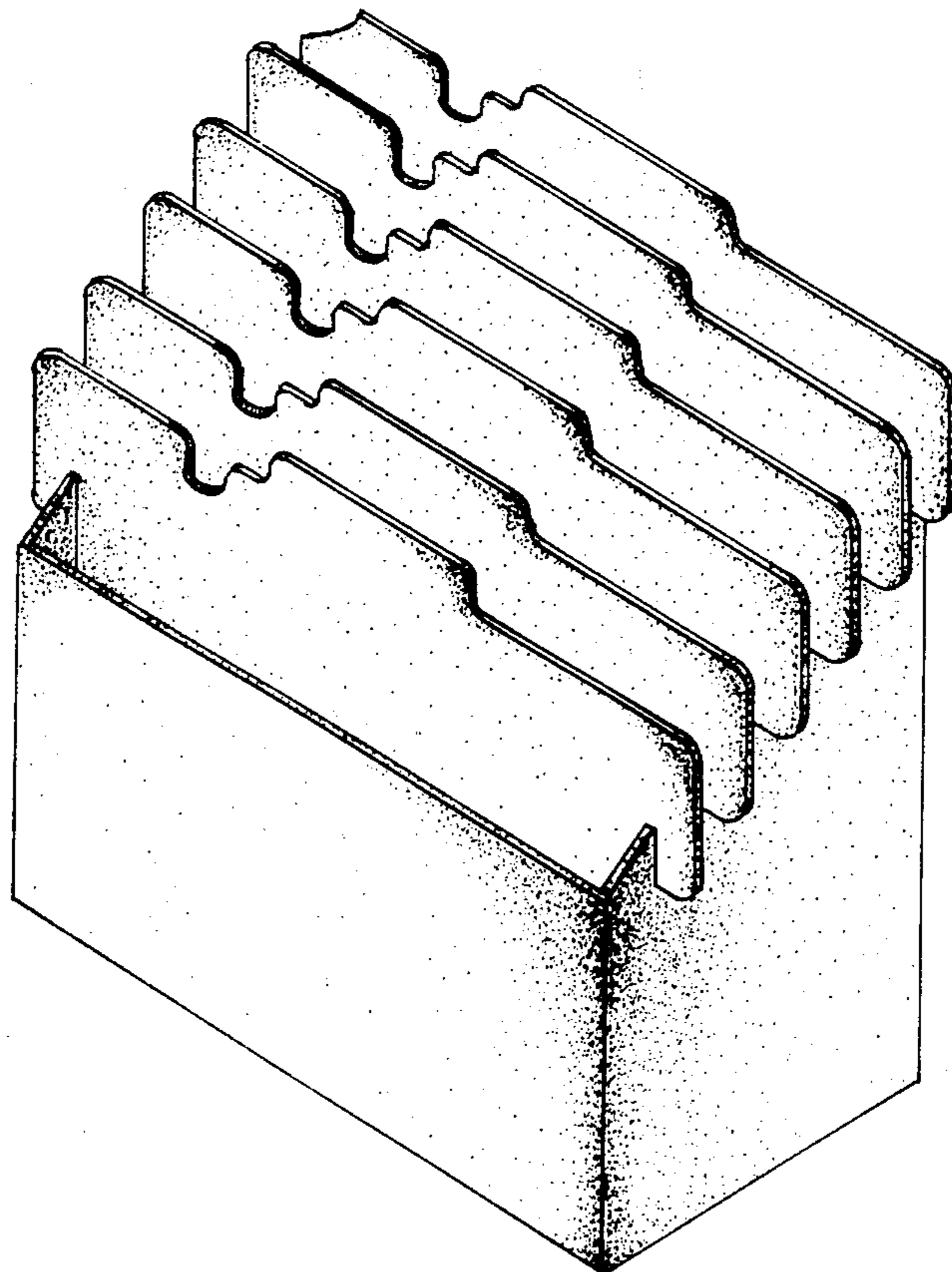


Fig. 1.

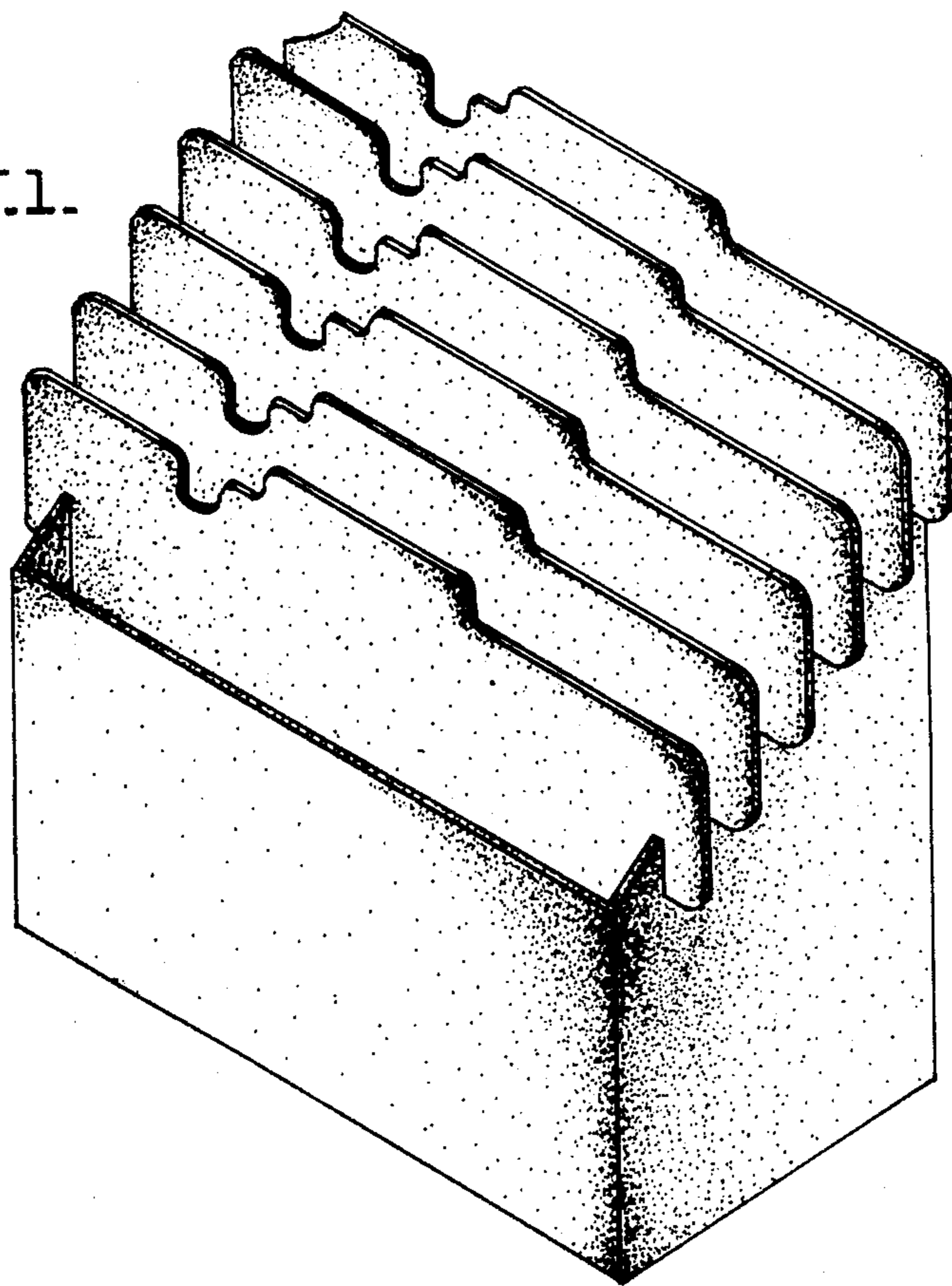


Fig. 2.

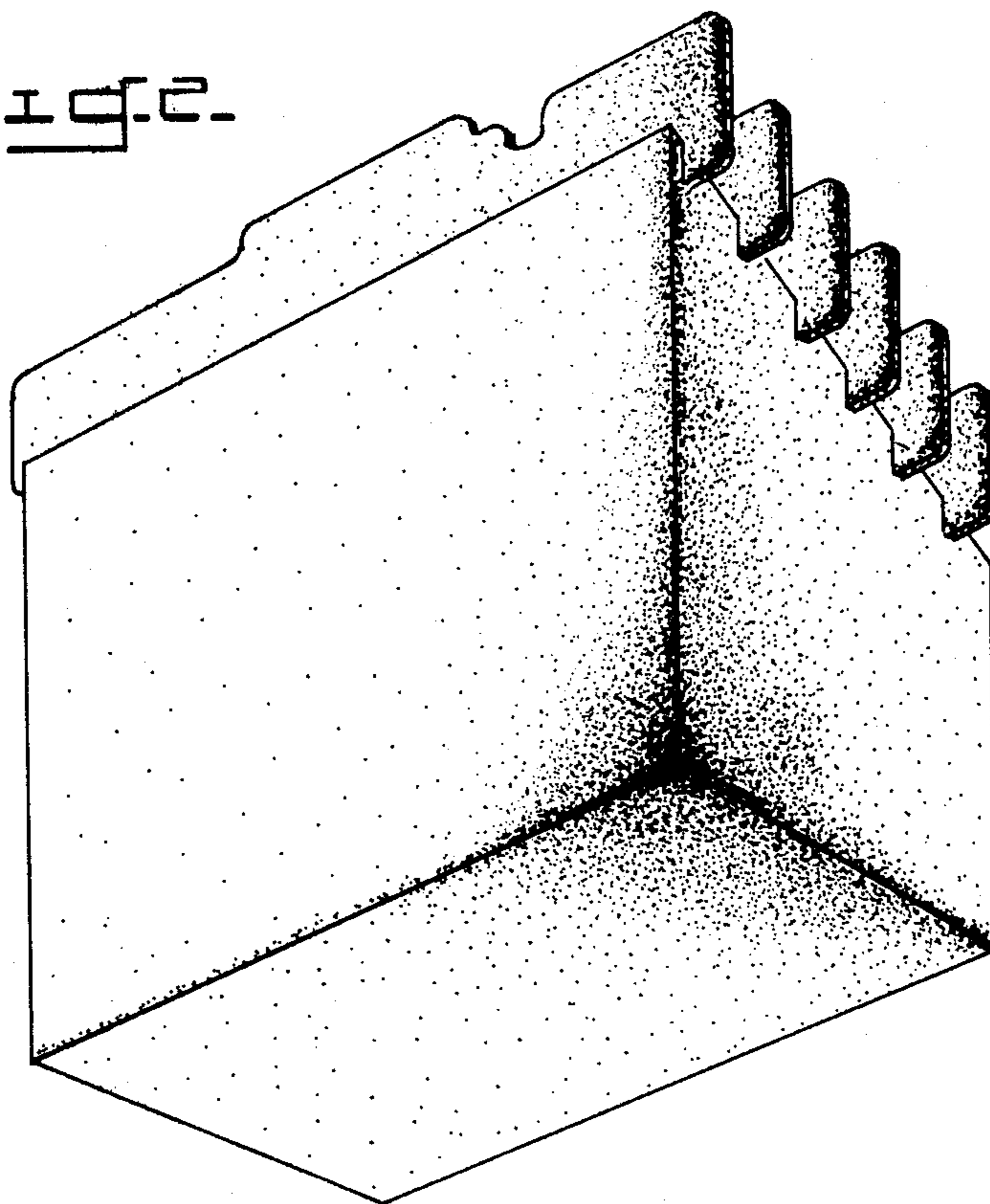


Fig. 3.

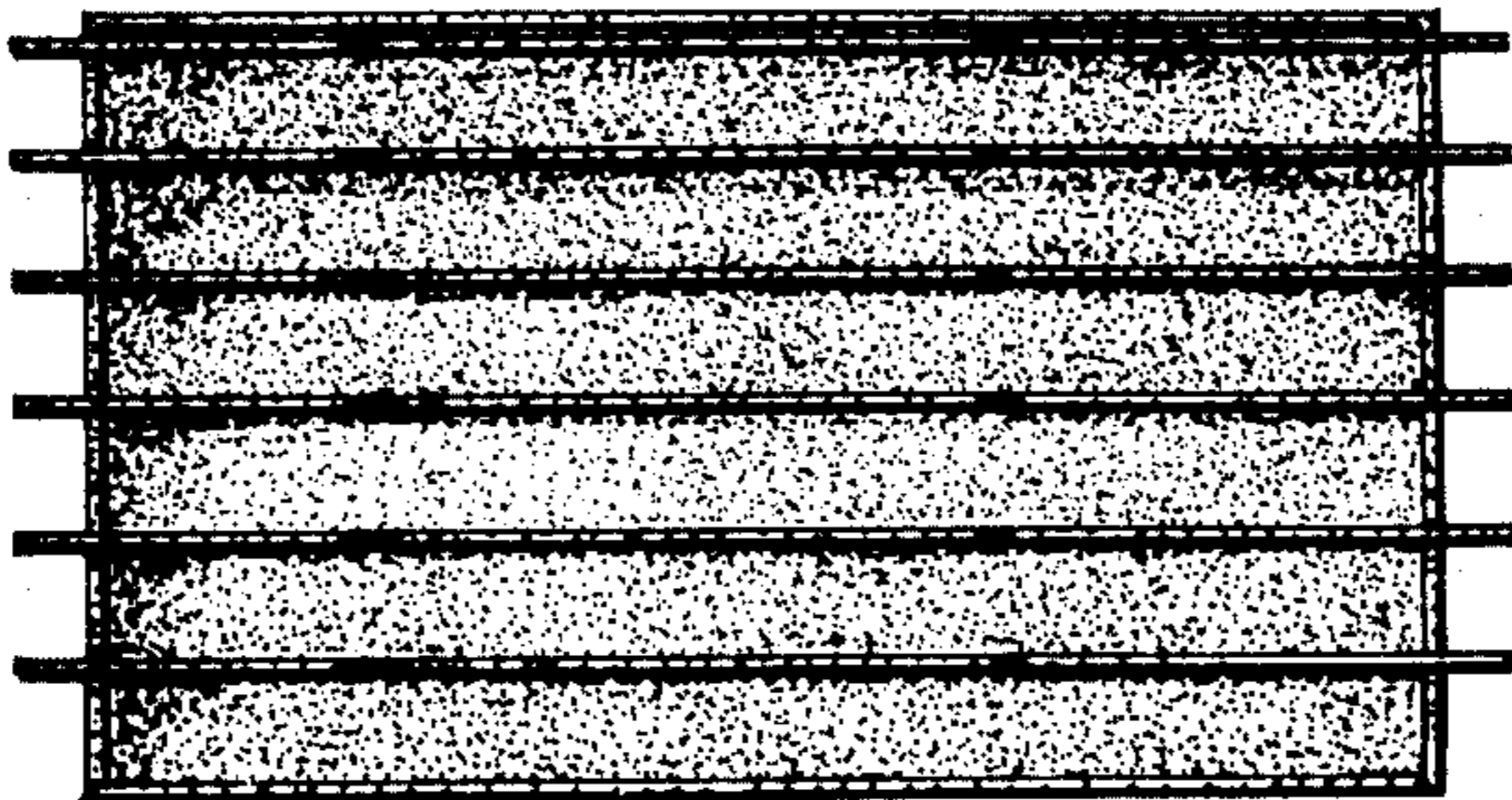


Fig. 4.

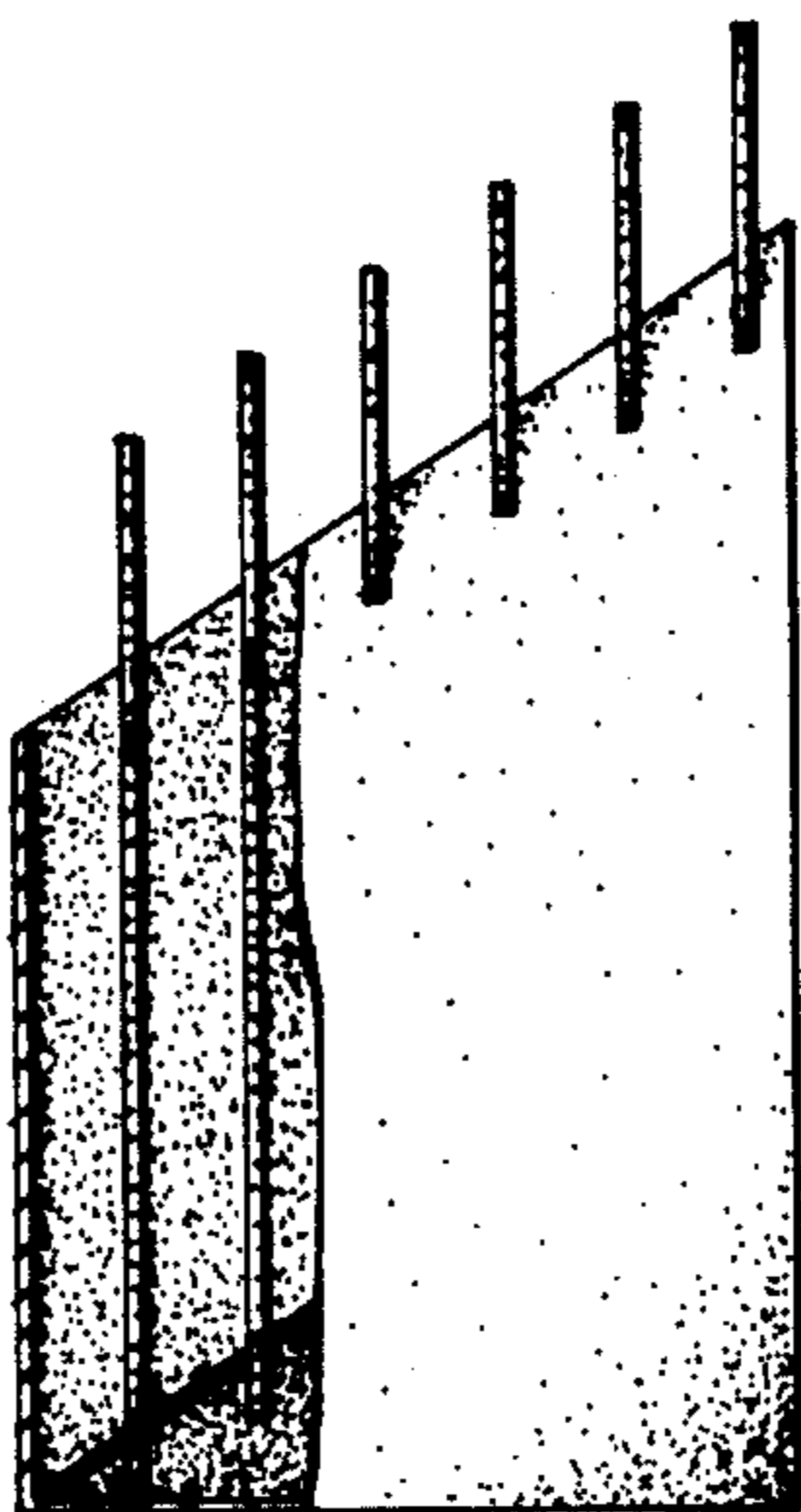


Fig. 5.

