

[54] TIRE

[75] Inventor: Hisashi Shirashoji, Kobe, Japan

[73] Assignee: Dunlop Limited, England

[**] Term: 14 Years

[21] Appl. No.: 849,334

[22] Filed: Nov. 7, 1977

[30] Foreign Application Priority Data

May 30, 1977 [JP] Japan 52-20838

[51] Int. Cl. D12-15

[52] U.S. Cl. D12/142; D12/148

[58] Field of Search D12/141-143,
D12/145-151; 152/209

[56] References Cited

U.S. PATENT DOCUMENTS

D. 246,450 11/1977 Matsuda et al. D12/141
D. 246,642 12/1977 Matsuda et al. D12/141

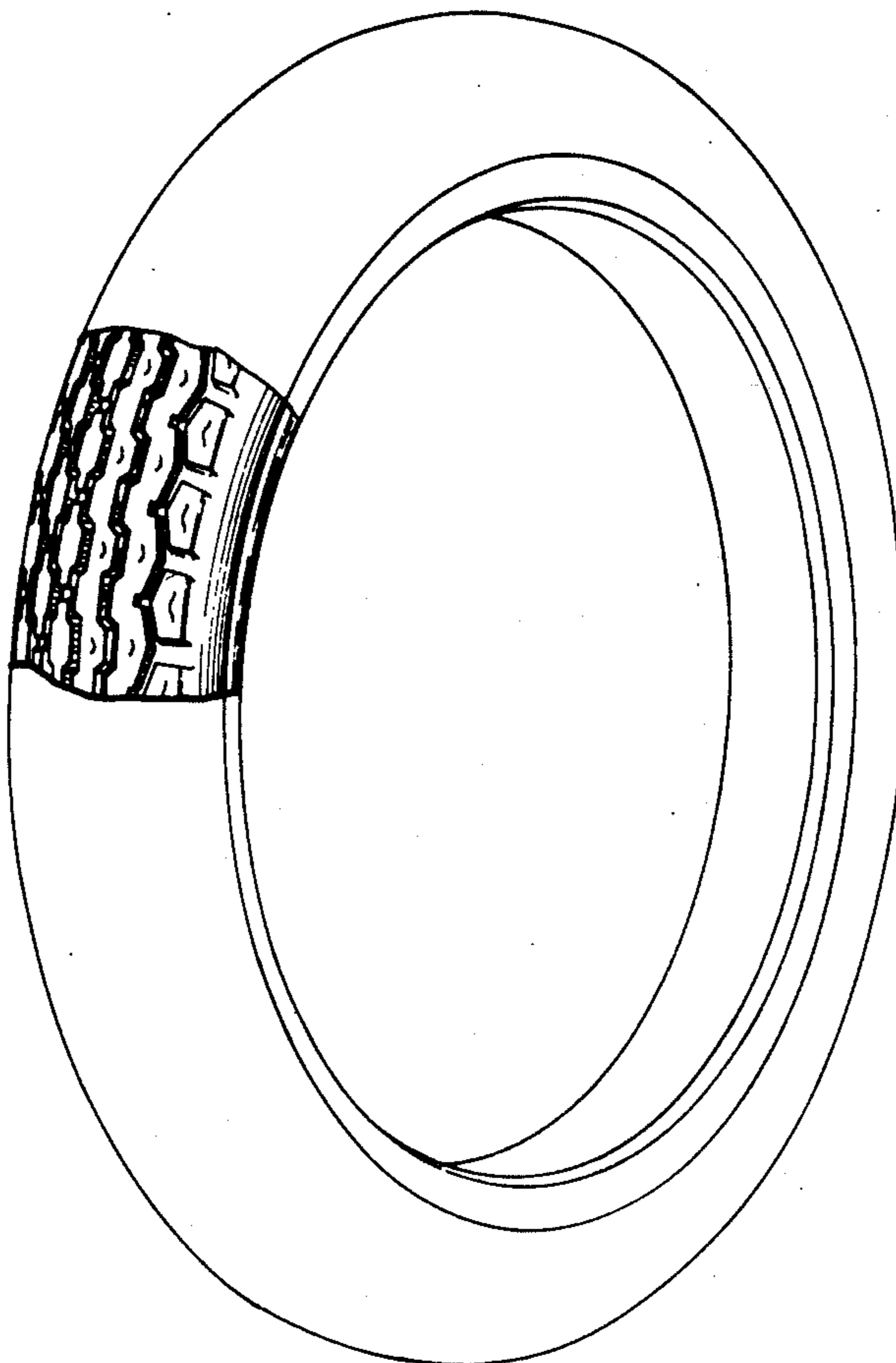
Primary Examiner—James M. Gandy
Attorney, Agent, or Firm—Davidson C. Miller

[57] CLAIM

The ornamental design for a tire, as shown and described.

DESCRIPTION

FIG. 1 is a perspective view of a tire showing my new design, it being understood that the tread pattern is repeated throughout the circumference of the tire as shown schematically by solid lines, the opposite side being substantially the same as that shown;
FIG. 2 is a front elevational view thereof;
FIG. 3 is a side elevational view thereof; and
FIG. 4 is an enlarged fragmentary plan view thereof.



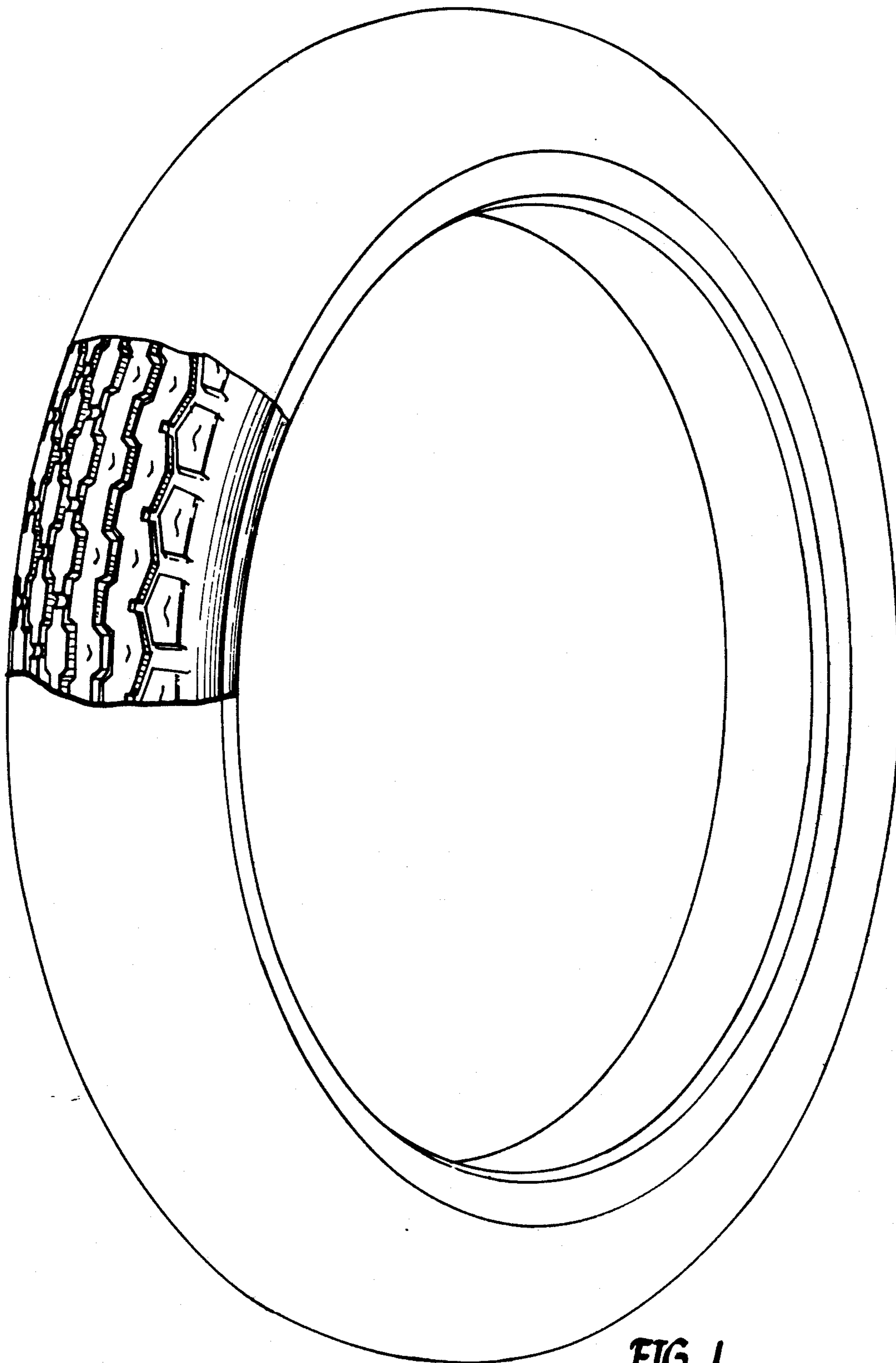


FIG. 1

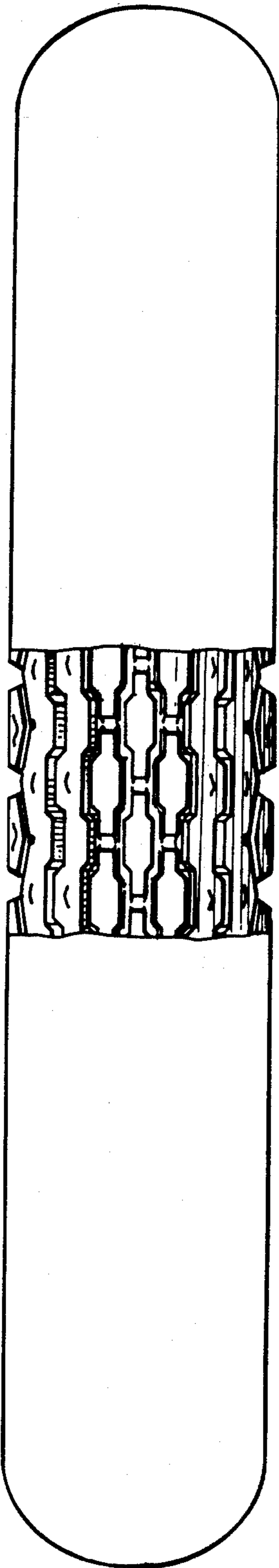


FIG. 2

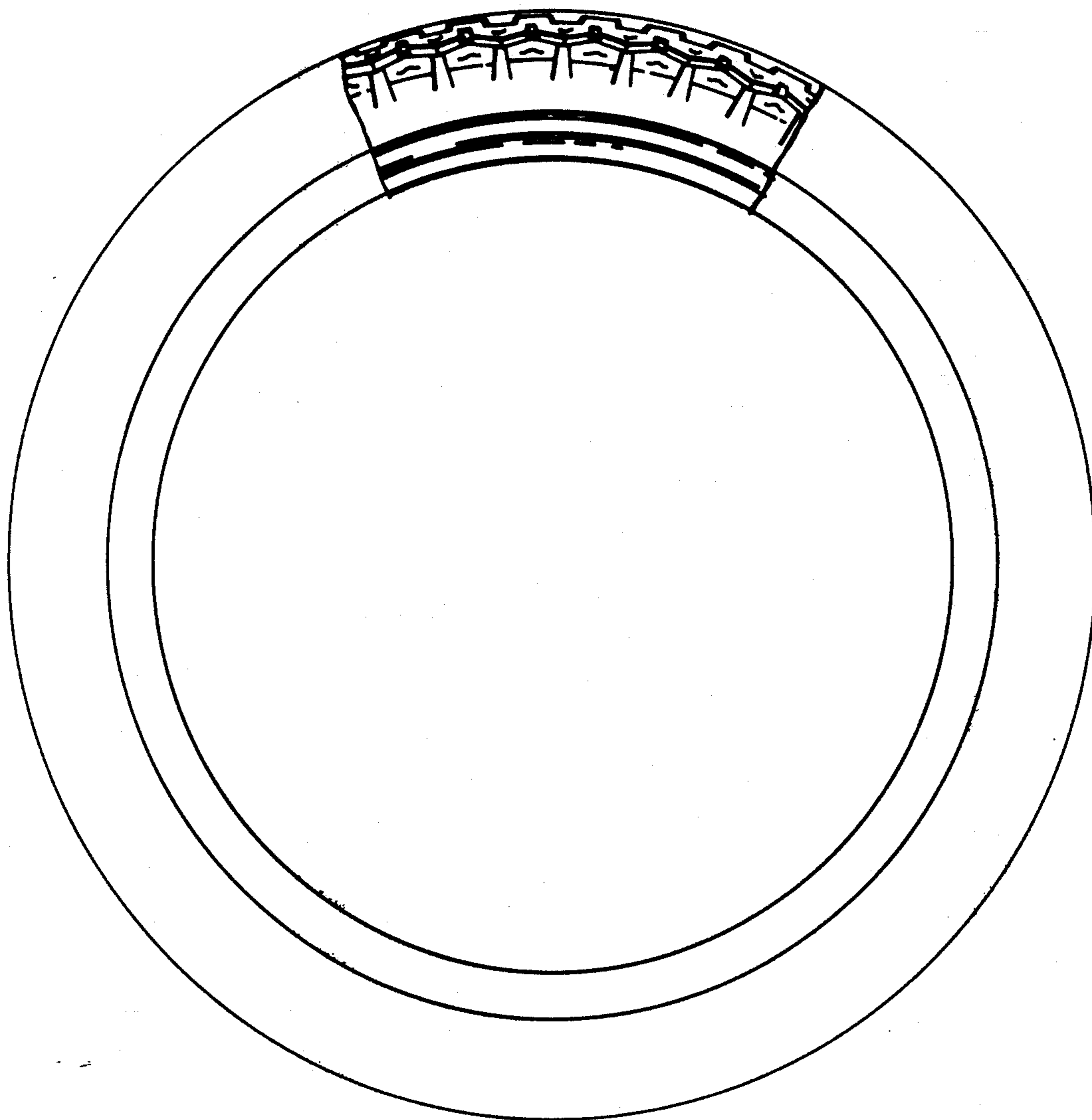


FIG. 3

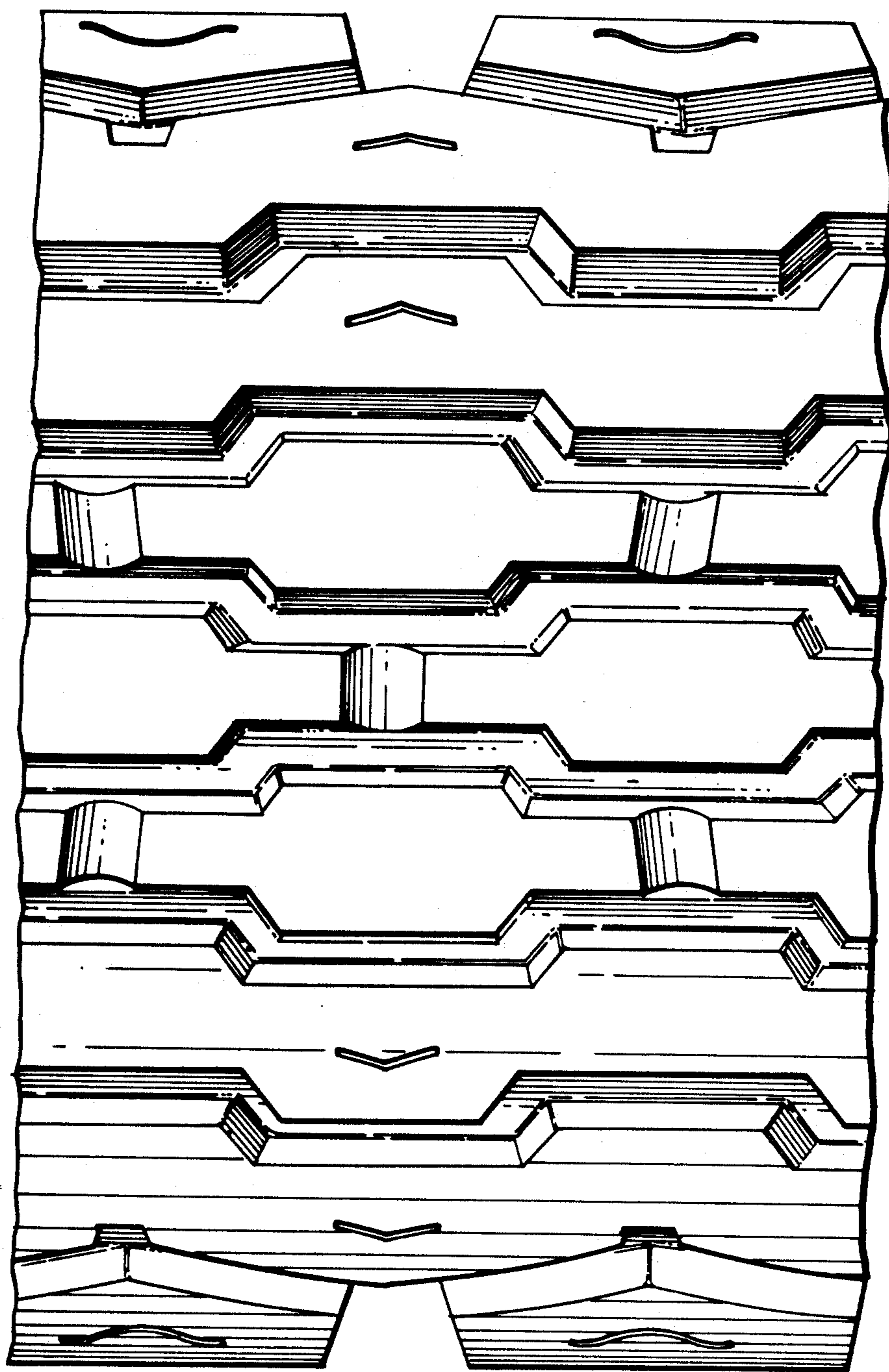


FIG. 4