

[54] ESCUTCHEON

[75] Inventor: LaVerne E. Clayton, Rockford, Ill.

[73] Assignee: Amerock Corporation, Rockford, Ill.

[**] Term: 14 Years

[21] Appl. No.: 916,342

[22] Filed: Jun. 19, 1978

[51] Int. Cl. D8-09

[52] U.S. Cl. D8/350; D8/352

[58] Field of Search D8/300-302, D8/305-307, 310-322, 350-353, 367; 16/110 R, 121, 124-127; 292/347, 357

[56] References Cited

U.S. PATENT DOCUMENTS

- D. 228,061 8/1973 Kartarik D8/350
- D. 232,911 9/1974 Tegner D8/350

D. 247,844 5/1978 Palm D8/352

OTHER PUBLICATIONS

Arrow Lock Corp. Brochure, p. 14, escutcheon 1500.

Primary Examiner—A. Hugo Word

Assistant Examiner—B. J. Bullock

Attorney, Agent, or Firm—C. Frederick Leydig

[57] CLAIM

The ornamental design for an escutcheon, as shown.

DESCRIPTION

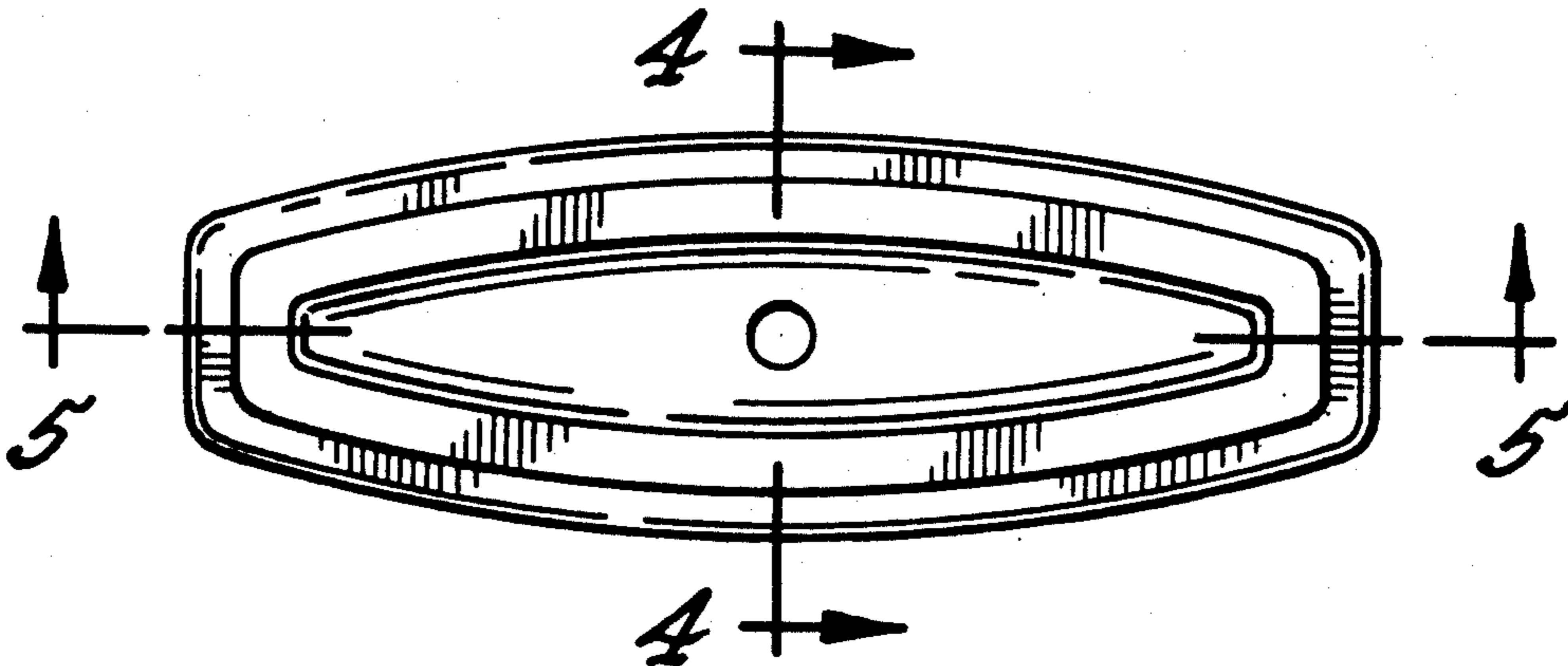
FIG. 1 is a front elevational view of an escutcheon incorporating my new design.

FIG. 2 is a side elevational view thereof.

FIG. 3 is an end elevational view thereof.

FIG. 4 is an enlarged sectional view looking in the direction of the arrows on line 4-4 of FIG. 1.

FIG. 5 is an enlarged sectional view looking in the direction of the arrows on line 5-5 of FIG. 1.



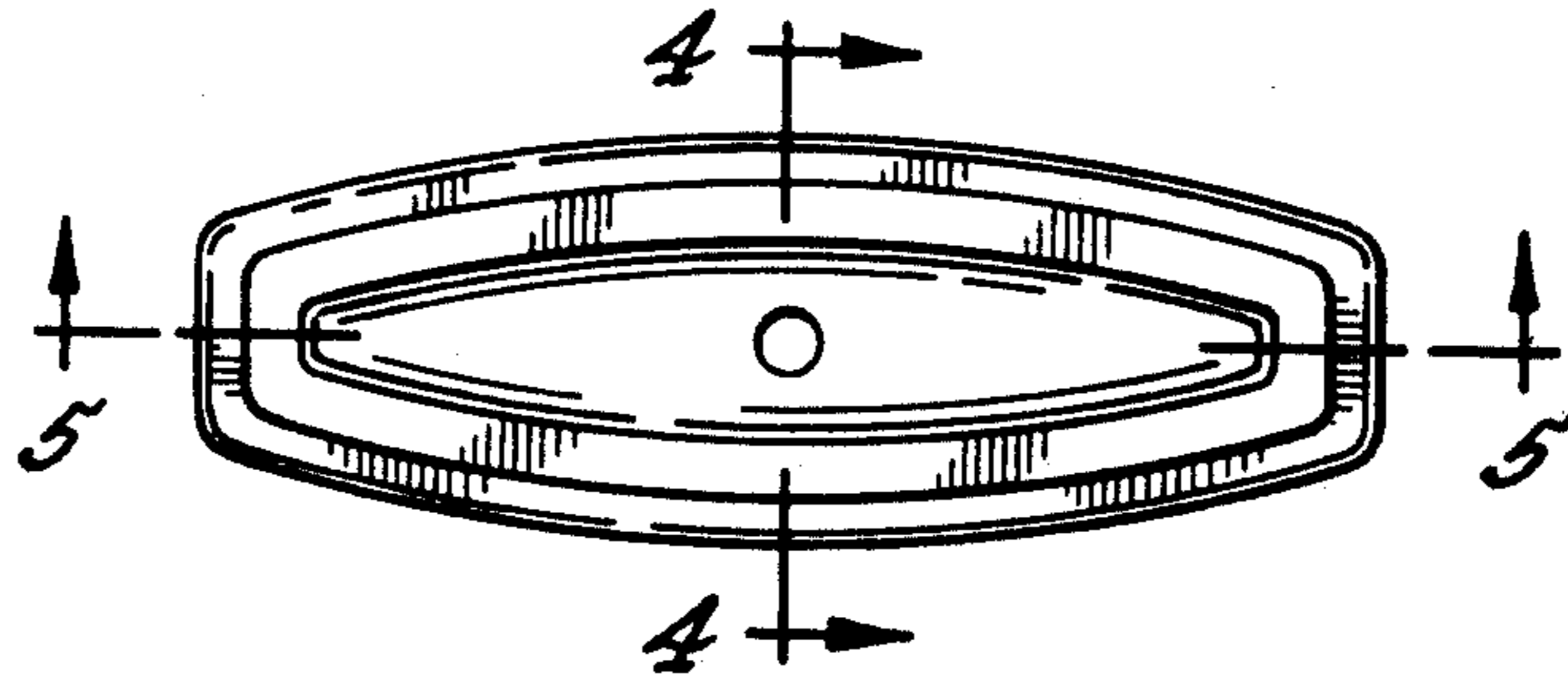


FIG. 1.

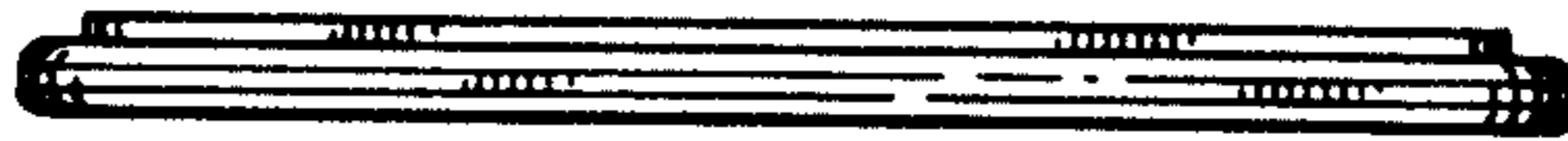


FIG. 2.

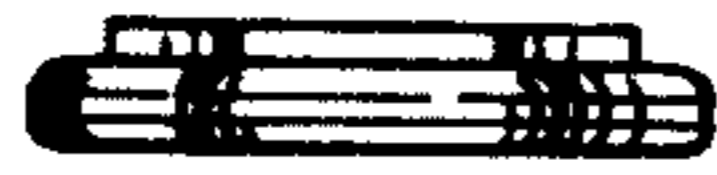


FIG. 3.



FIG. 4.



FIG. 5.