

[54] FRUIT HOLDER

[75] Inventor: Peter Ackeret, Künsnacht, Switzerland

[73] Assignee: Zyliss Zysset AG, Lyss, Switzerland

[\*\*] Term: 14 Years

[21] Appl. No.: 764,154

[22] Filed: Feb. 2, 1977

[30] Foreign Application Priority Data

Feb. 2, 1977 [IT] Italy ..... 52883 B/77

[51] Int. Cl. .... D7-04

[52] U.S. Cl. .... D7/99

[58] Field of Search ..... D7/106, 39, 43, 132, D7/99; 83/762

[56] References Cited

U.S. PATENT DOCUMENTS

D. 131,301	2/1942	Jacobsen .....	D7/106
D. 151,160	9/1948	Manca .....	D7/99
2,089,980	8/1937	Owen .....	83/762
2,108,992	2/1938	Obenshain .....	83/762
3,180,383	4/1965	Nudell .....	D7/106 X

Primary Examiner—Winifred E. Herrmann  
Attorney, Agent, or Firm—H. Dale Palmatier

[57] CLAIM

The ornamental design for a fruit holder, as shown.

DESCRIPTION

FIG. 1 is a top perspective view of a fruit holder showing my new design;  
FIG. 2 is a side elevational view thereof;  
FIG. 3 is a top plan view thereof;  
FIG. 4 is a bottom plan view thereof; and  
FIG. 5 is a bottom perspective view thereof.

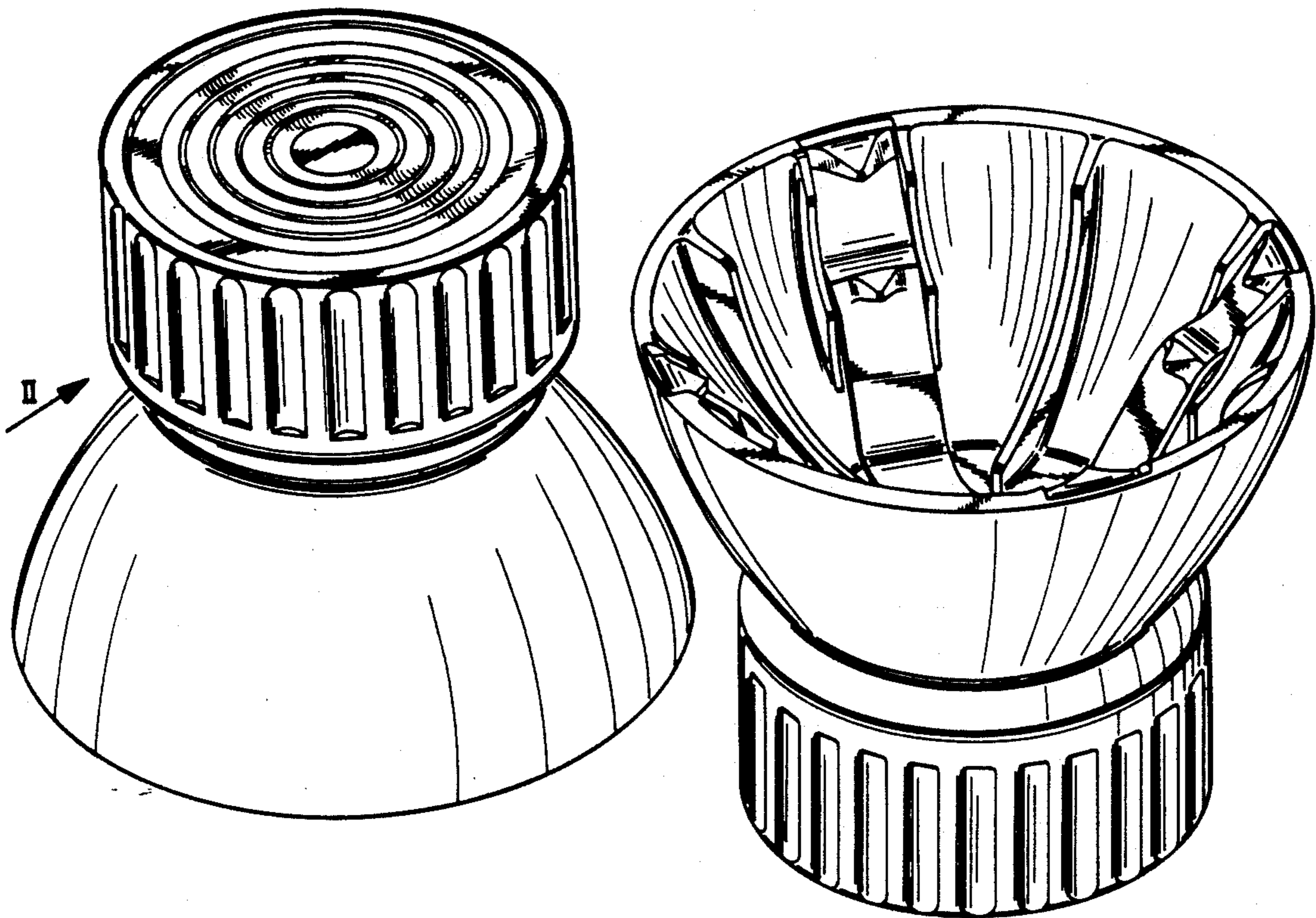
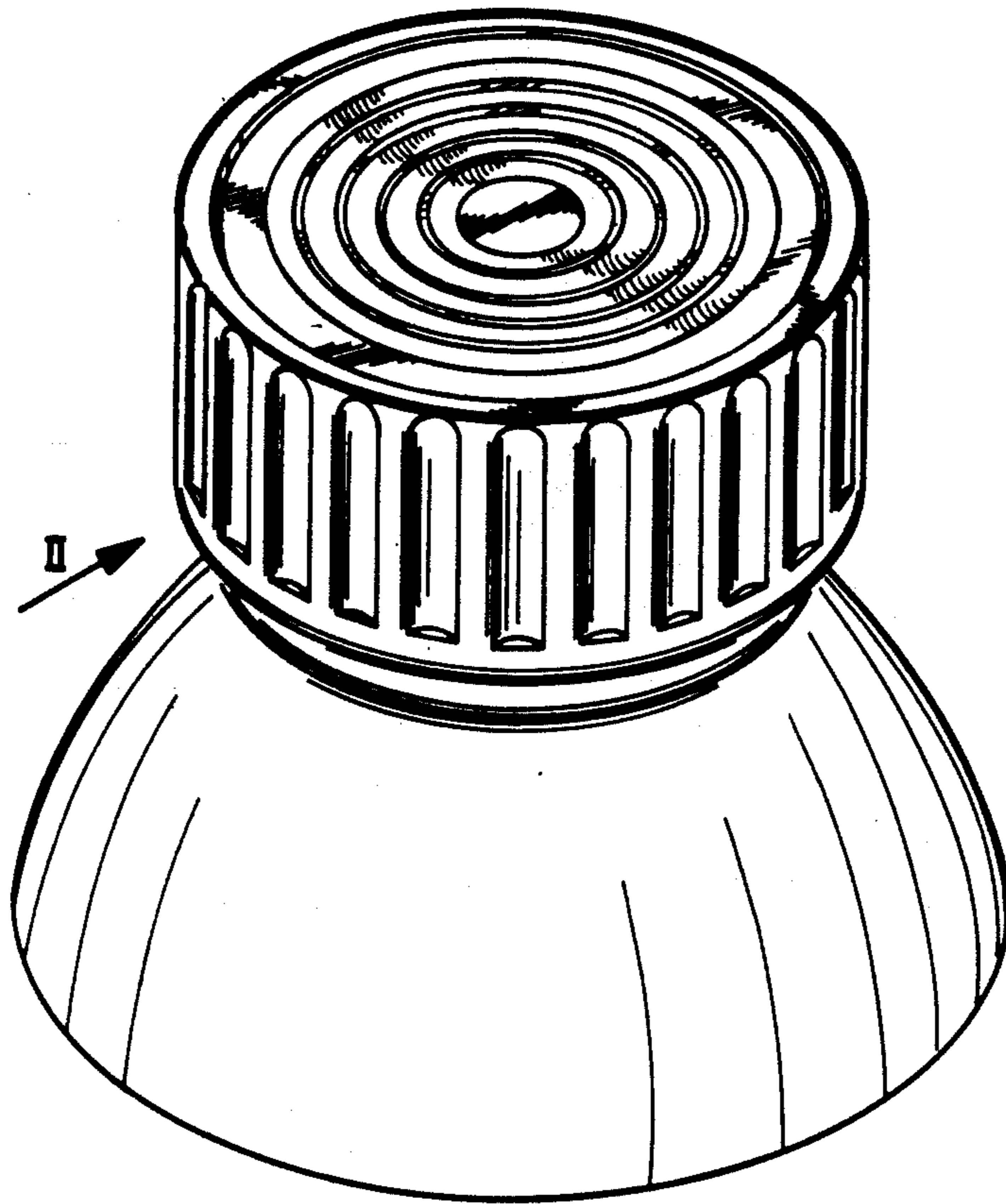


Fig. 1



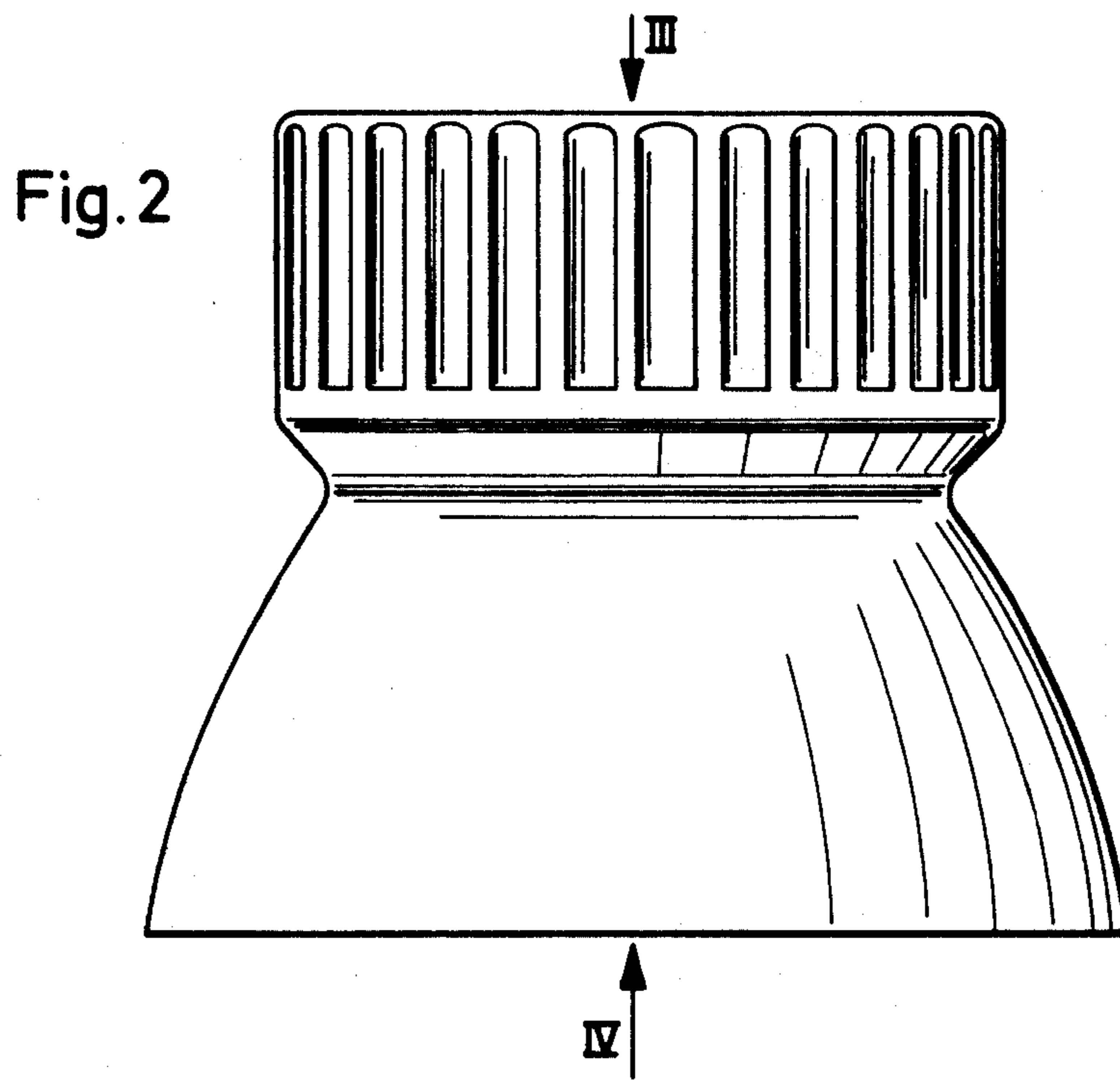


Fig. 3

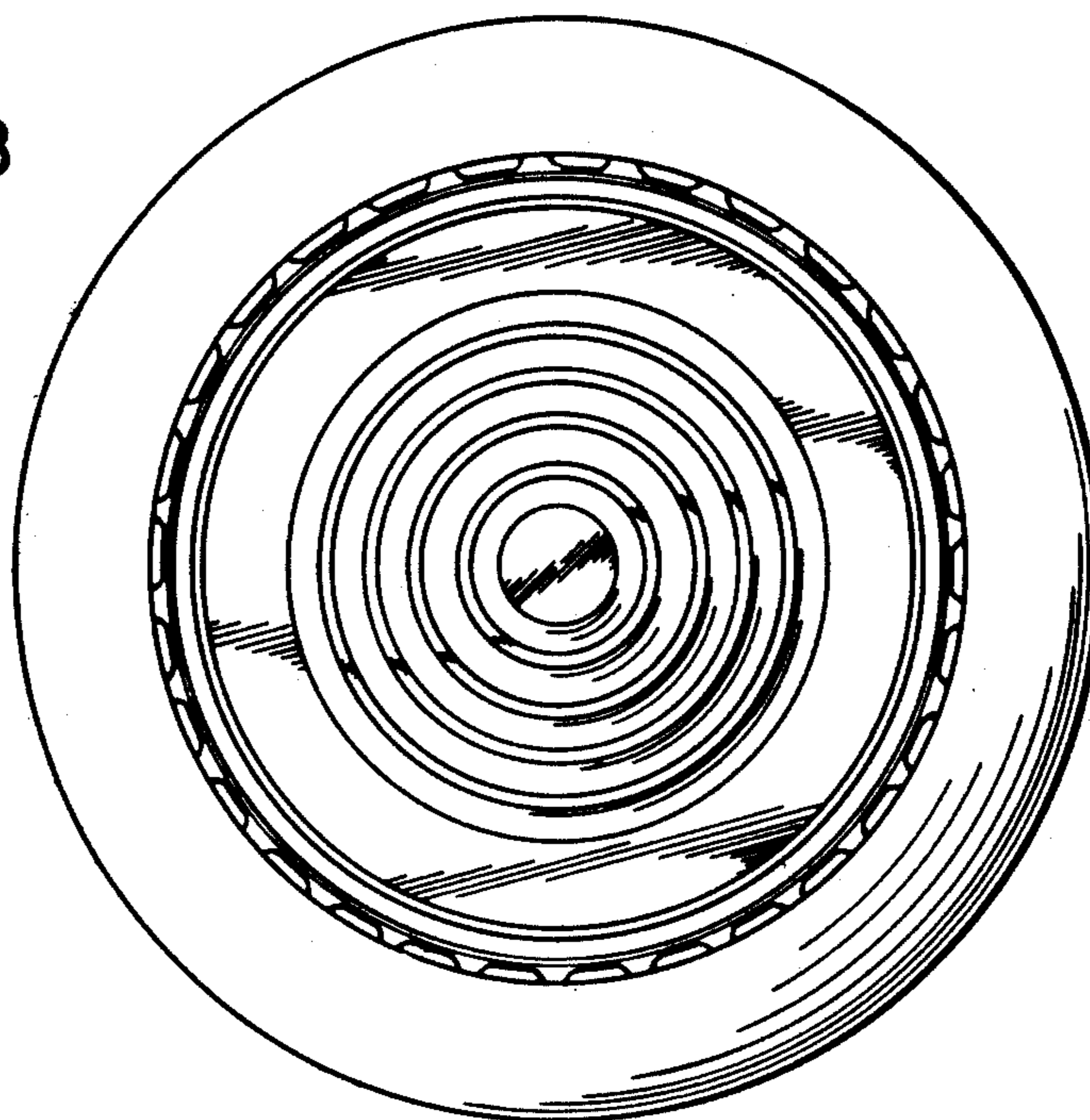


Fig. 4

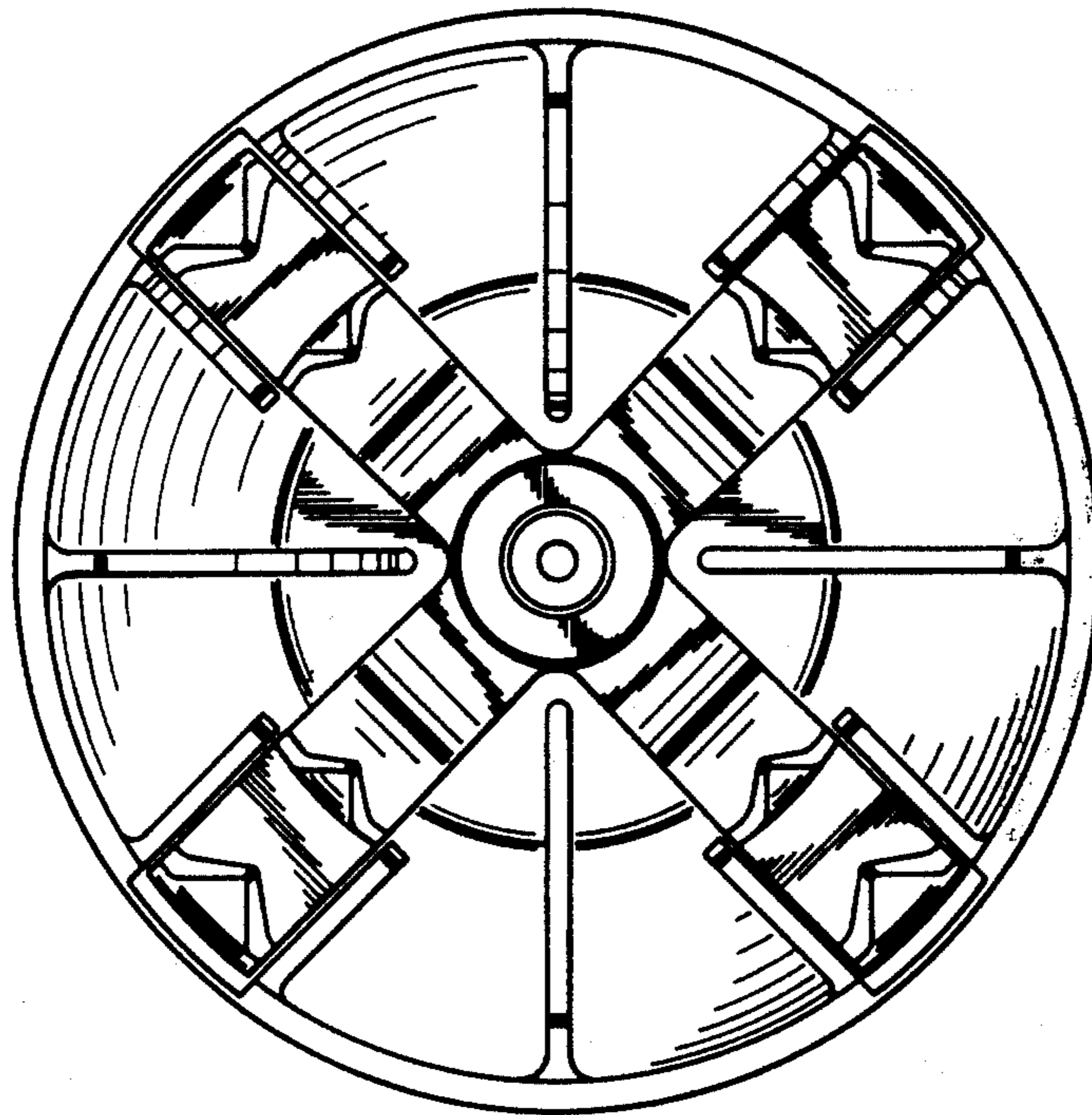




Fig. 5

