

[54] **COMBINED DISPLAY RACK AND SELECTION CONSOLE**

[76] **Inventor:** Myron L. Denhoff, 435 E. 85th St.,
New York, N.Y. 10028

[**] **Term:** 3½ Years

[21] **Appl. No.:** 901,748

[22] **Filed:** May 18, 1978

[51] **Int. Cl.** D20—02

[52] **U.S. Cl.** D6/188; D6/85;
D6/186

[58] **Field of Search** D6/20, 23-25,
D6/27-29, 85, 134, 135, 136, 181, 184, 186,
188-190, 199; D19/59, 62, 64; D96/1, 2;
40/491; 35/59; 211/13, 126, 128, 129, 131, 133,
134

[56] **References Cited**

U.S. PATENT DOCUMENTS

D. 109,389	4/1938	Beyrle	D6/23
D. 242,198	11/1976	Geisler	D6/199
3,140,552	7/1964	Mader	40/491
3,485,204	12/1969	Christman	40/491
3,596,390	8/1971	Scalice	35/59

Primary Examiner—Wallace R. Burke
Assistant Examiner—B. J. Bullock
Attorney, Agent, or Firm—Harold James

[57] **CLAIM**

The ornamental design for a combined display rack and selection console, substantially as shown and described.

DESCRIPTION

FIG. 1 is a reduced perspective view of a combined display rack and selection console showing my new design;

FIG. 2 is a side elevational view taken from the left of FIG. 1;

FIG. 3 is a rear elevational view thereof;

FIG. 4 is a top plan view thereof.

The bottom is flat and unornamented.

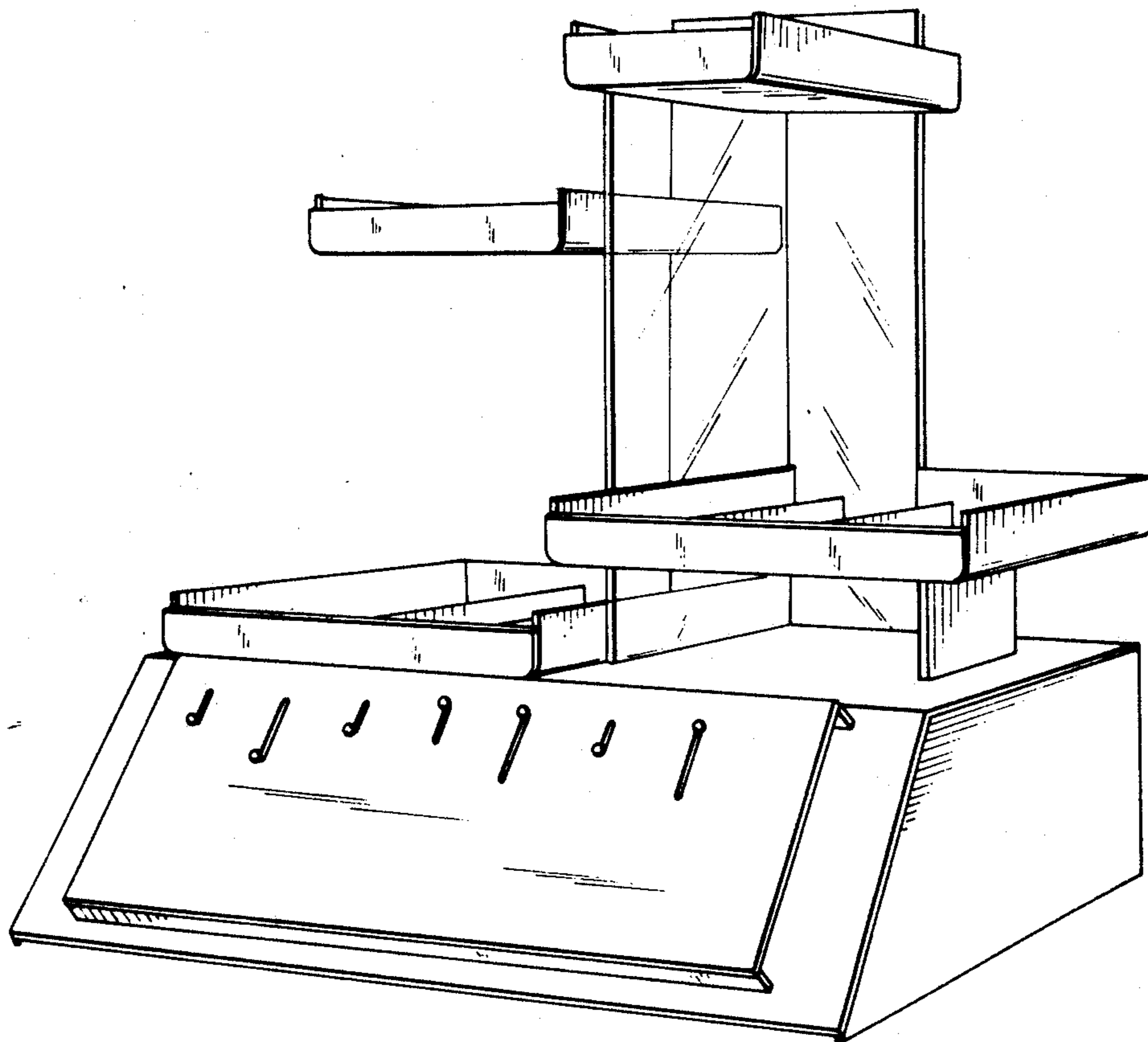


FIG. 1

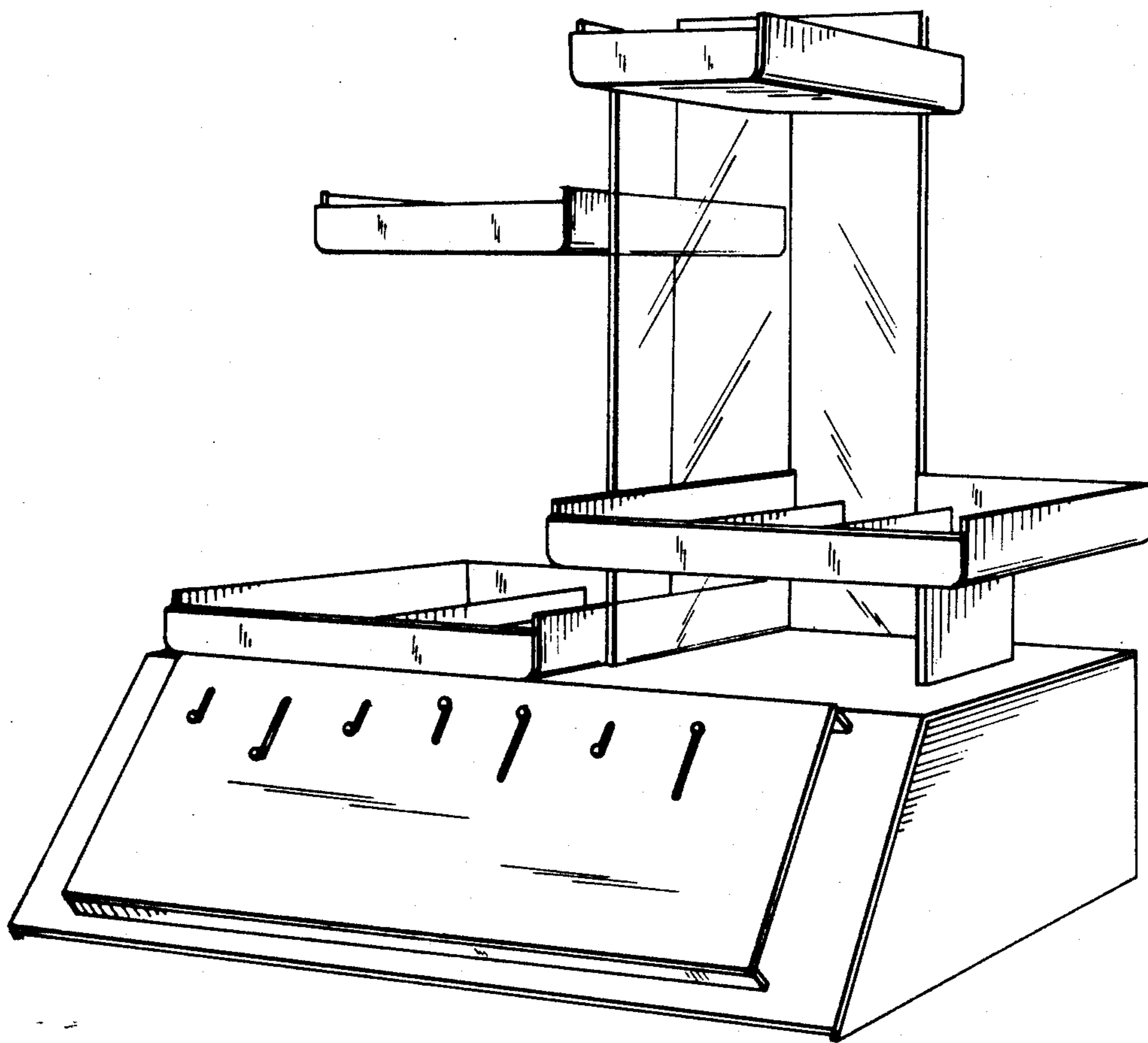


FIG. 2

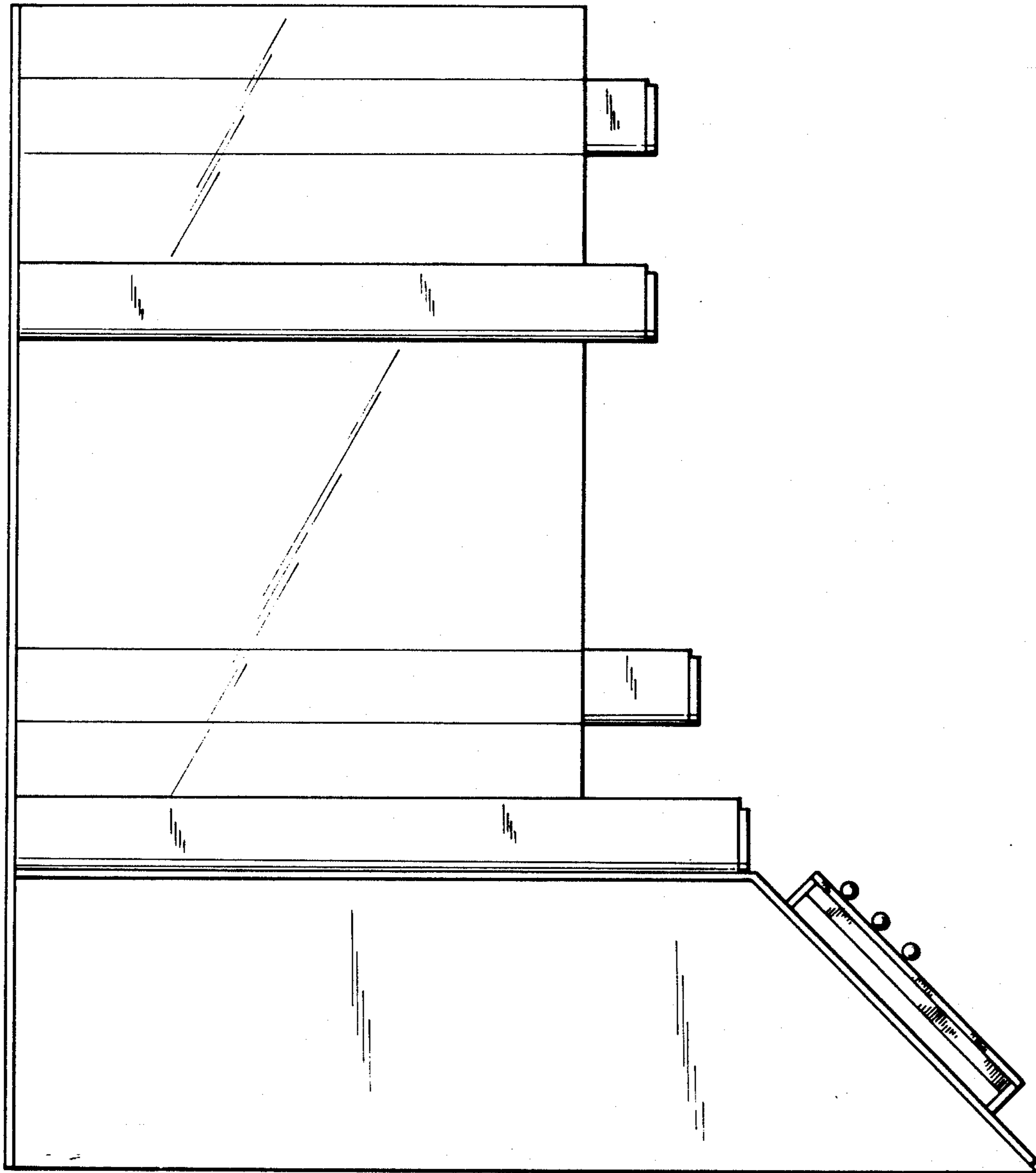


FIG. 3

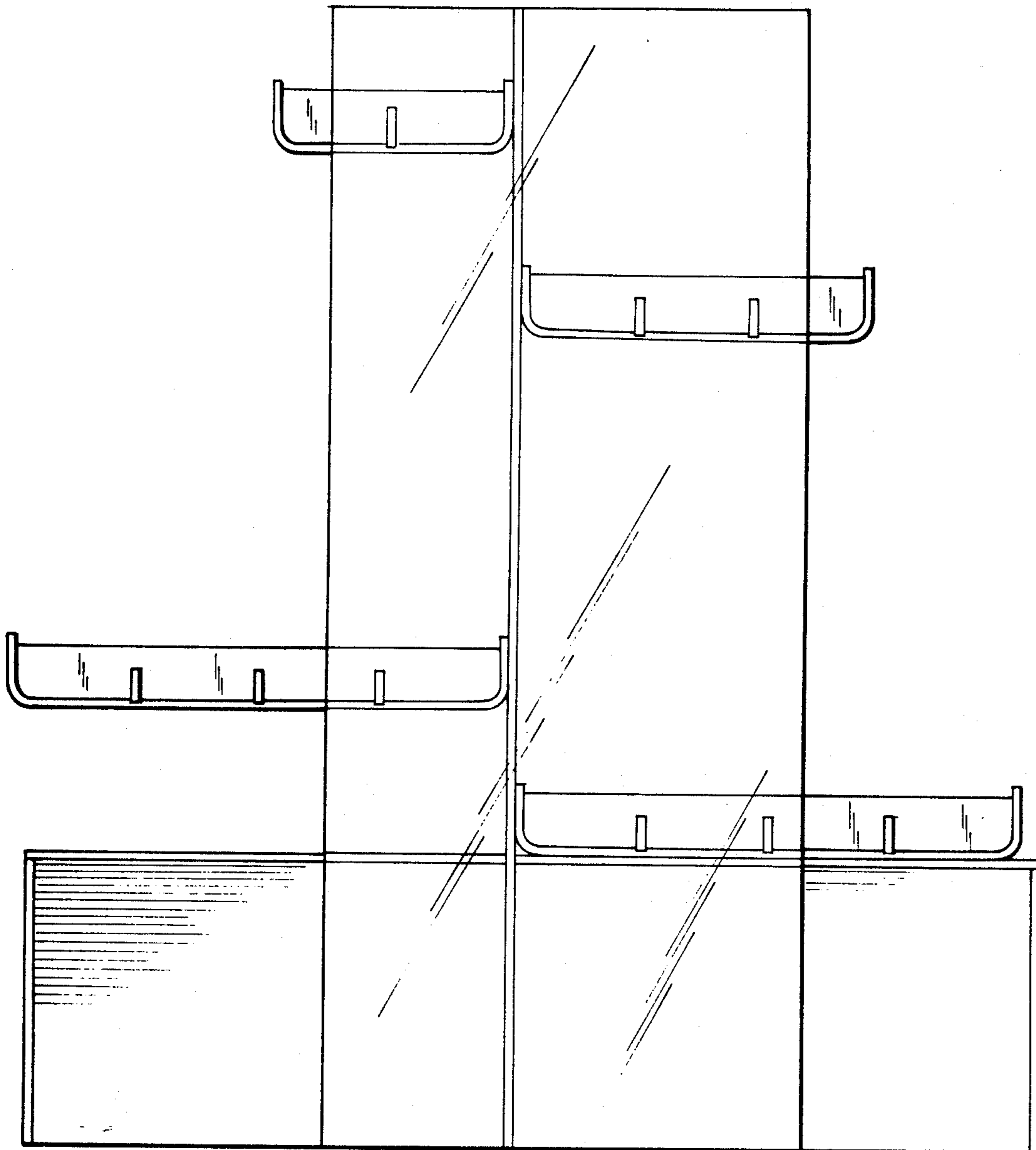


FIG. 4

