

[54] DISPLAY UNIT

[75] Inventor: Phillip A. Waters, Rockford, Ill.
[73] Assignee: Amerock Corporation, Rockford, Ill.
[**] Term: 14 Years
[21] Appl. No.: 894,573
[22] Filed: Apr. 7, 1978

[51] Int. Cl. D20-02
[52] U.S. Cl. D6/181; D6/132
[58] Field of Search D6/20, 23-25,
D6/27-29, 85, 114, 132, 157, 181, 184, 186,
188-190, 191, 199, 134; 211/13, 126, 128, 129,
131, 133, 134, 163, 49 R

[56] References Cited

U.S. PATENT DOCUMENTS

D. 141,760	7/1945	Gelinas	D6/181
D. 174,528	4/1955	Chepp	D6/132
D. 204,748	5/1966	Brooks et al.	D6/134
D. 236,935	9/1975	Frazelle et al.	D6/191
2,173,917	9/1939	Ryan	D6/130

FOREIGN PATENT DOCUMENTS

501211 2/1951 Belgium 211/49 R

Primary Examiner—Wallace R. Burke

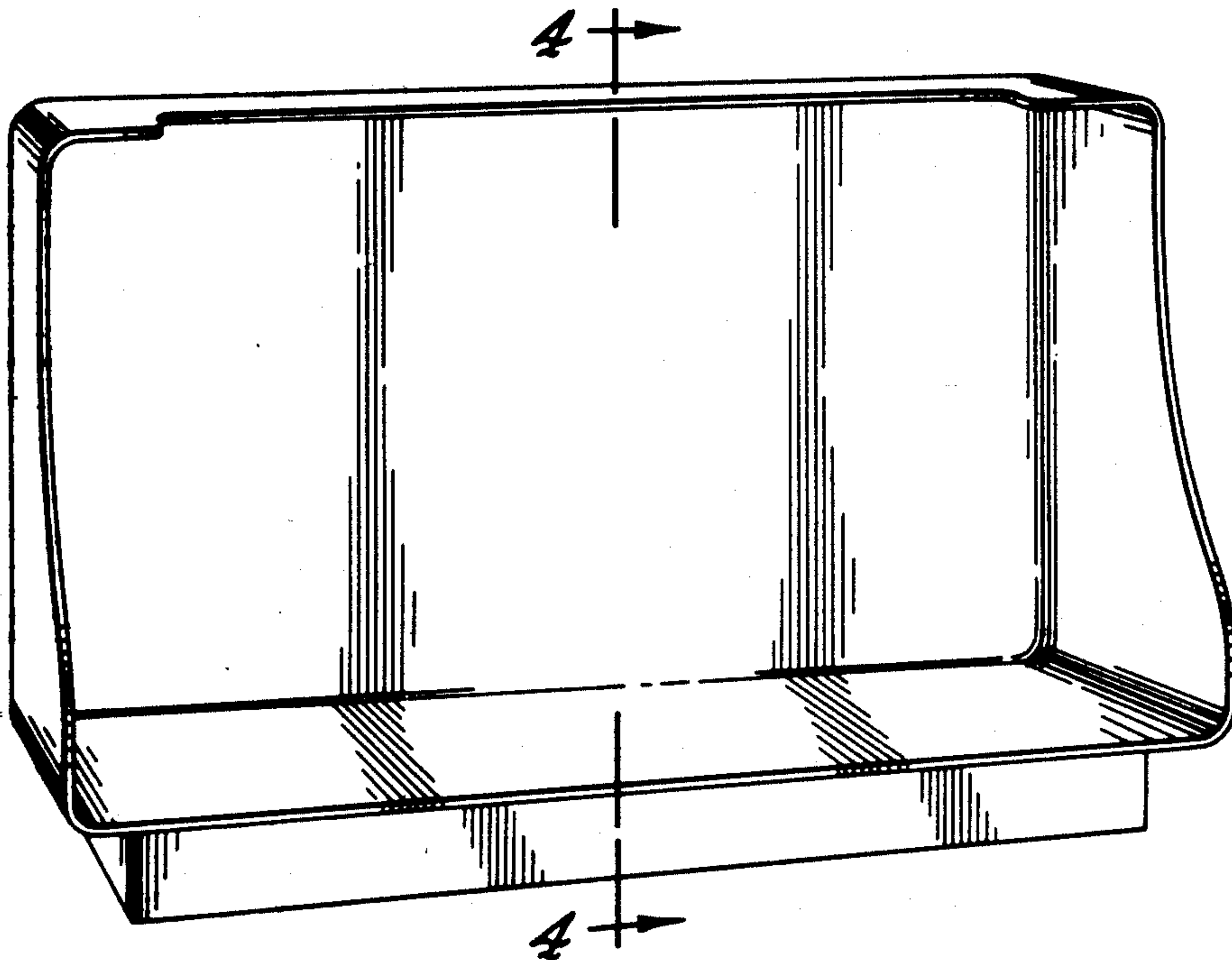
Assistant Examiner—B. J. Bullock
Attorney, Agent, or Firm—C. Frederick Leydig

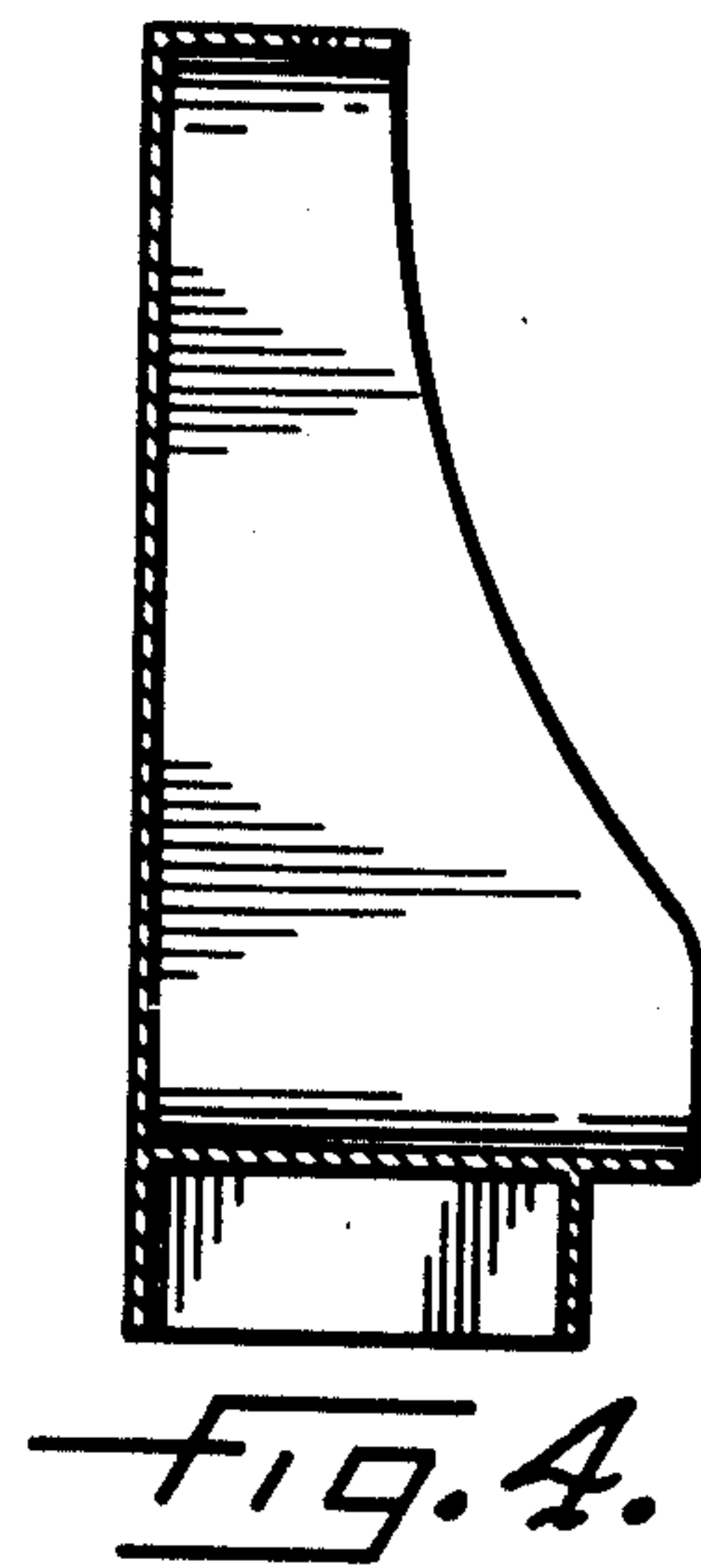
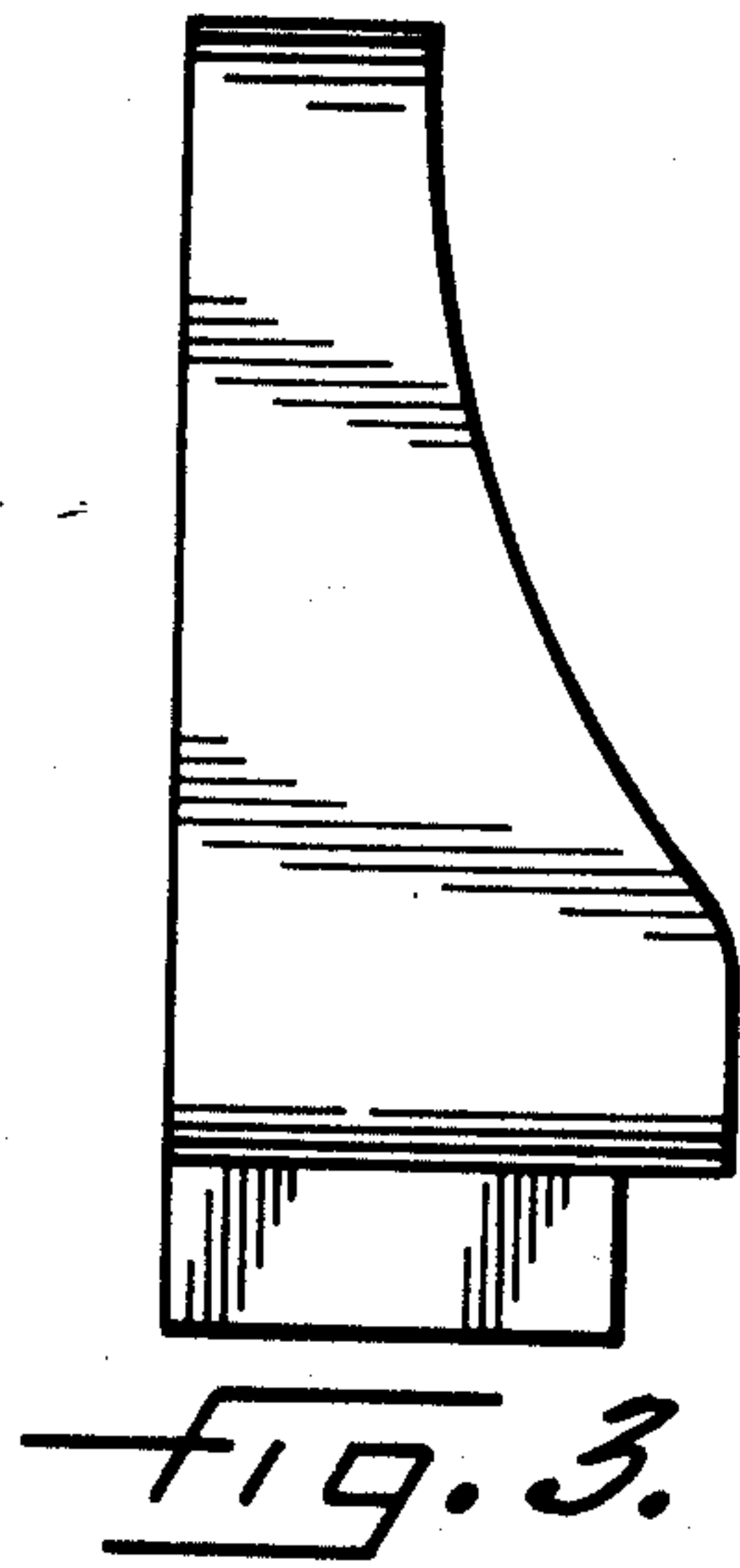
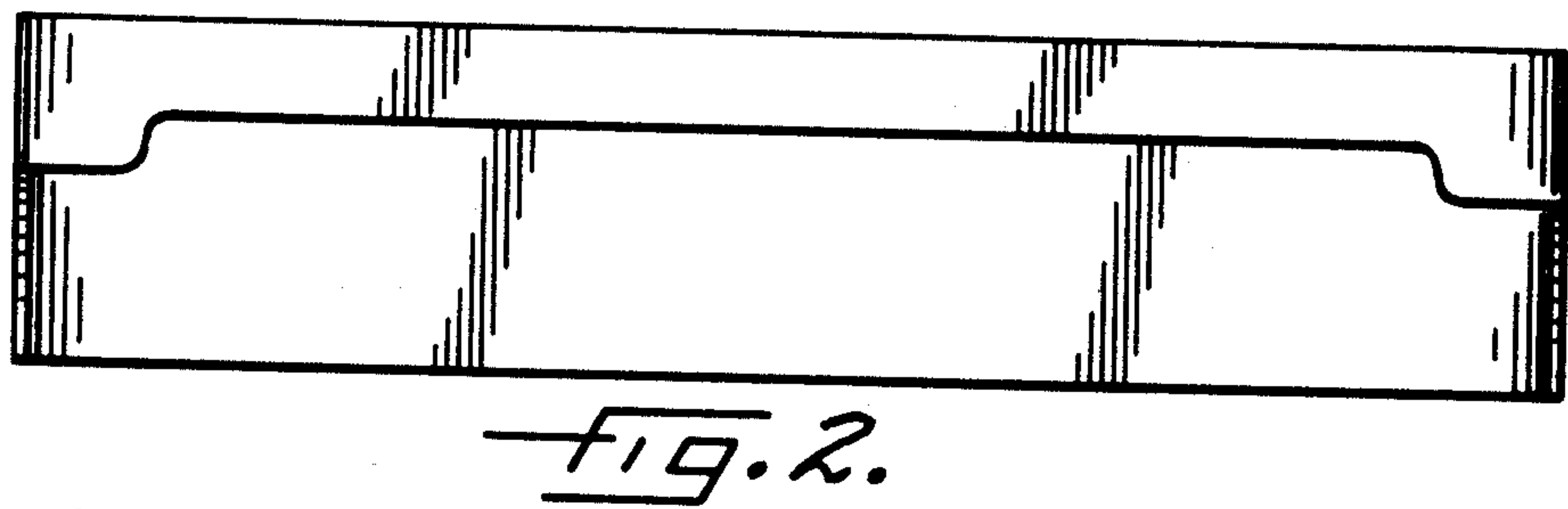
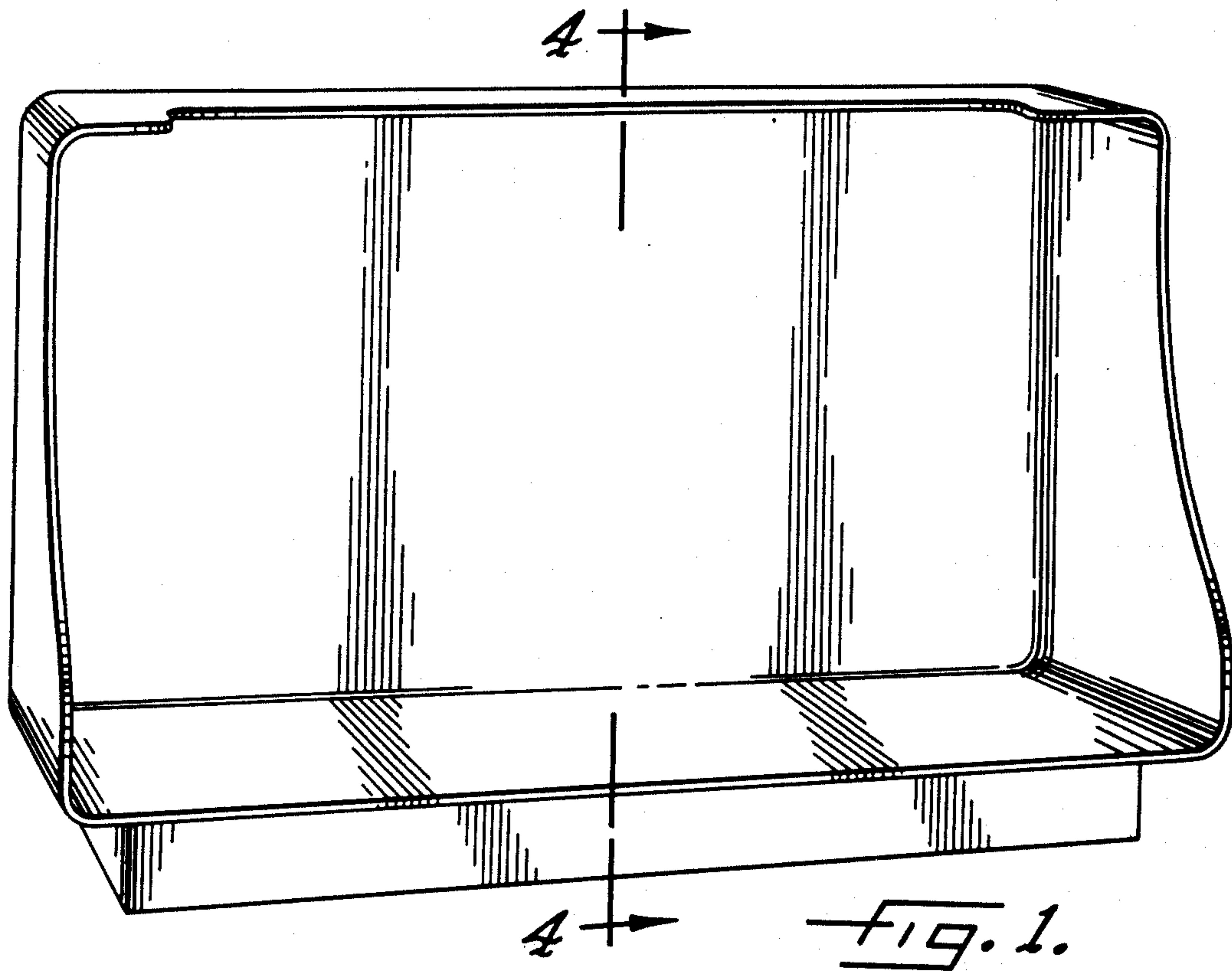
[57] CLAIM

The ornamental design for a display unit, as shown.

DESCRIPTION

FIG. 1 is a perspective view of a display unit incorporating my new design;
FIG. 2 is a top plan view of FIG. 1;
FIG. 3 is a side elevational view as seen from the left in FIG. 1.
FIG. 4 is a sectional view taken in the direction of the arrows on line 4—4 in FIG. 1;
FIG. 5 is a perspective view of a second embodiment of the design of FIG. 1;
FIG. 6 is a top plan view of FIG. 5;
FIG. 7 is a side elevational view as seen from the left in FIG. 5.
FIG. 8 is a sectional view taken in the direction of the arrows on line 8—8 in FIG. 5;
FIG. 9 is a perspective view of a third embodiment of the design of FIG. 1;
FIG. 10 is a top plan view of FIG. 9;
FIG. 11 is a side elevational view as seen from the left in FIG. 9.
FIG. 12 is a sectional view taken in the direction of the arrows on line 12—12 in FIG. 9.





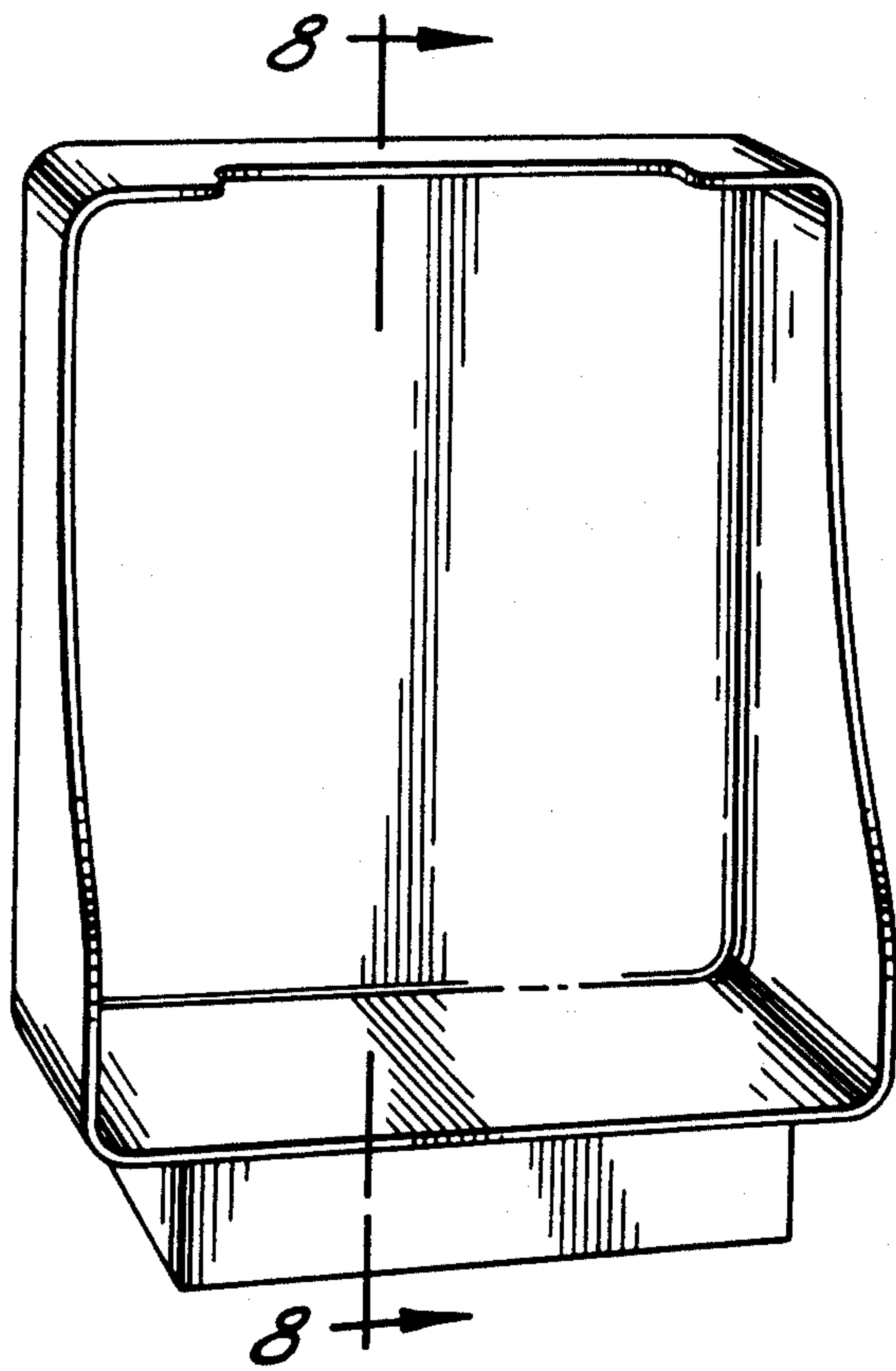


FIG. 5.

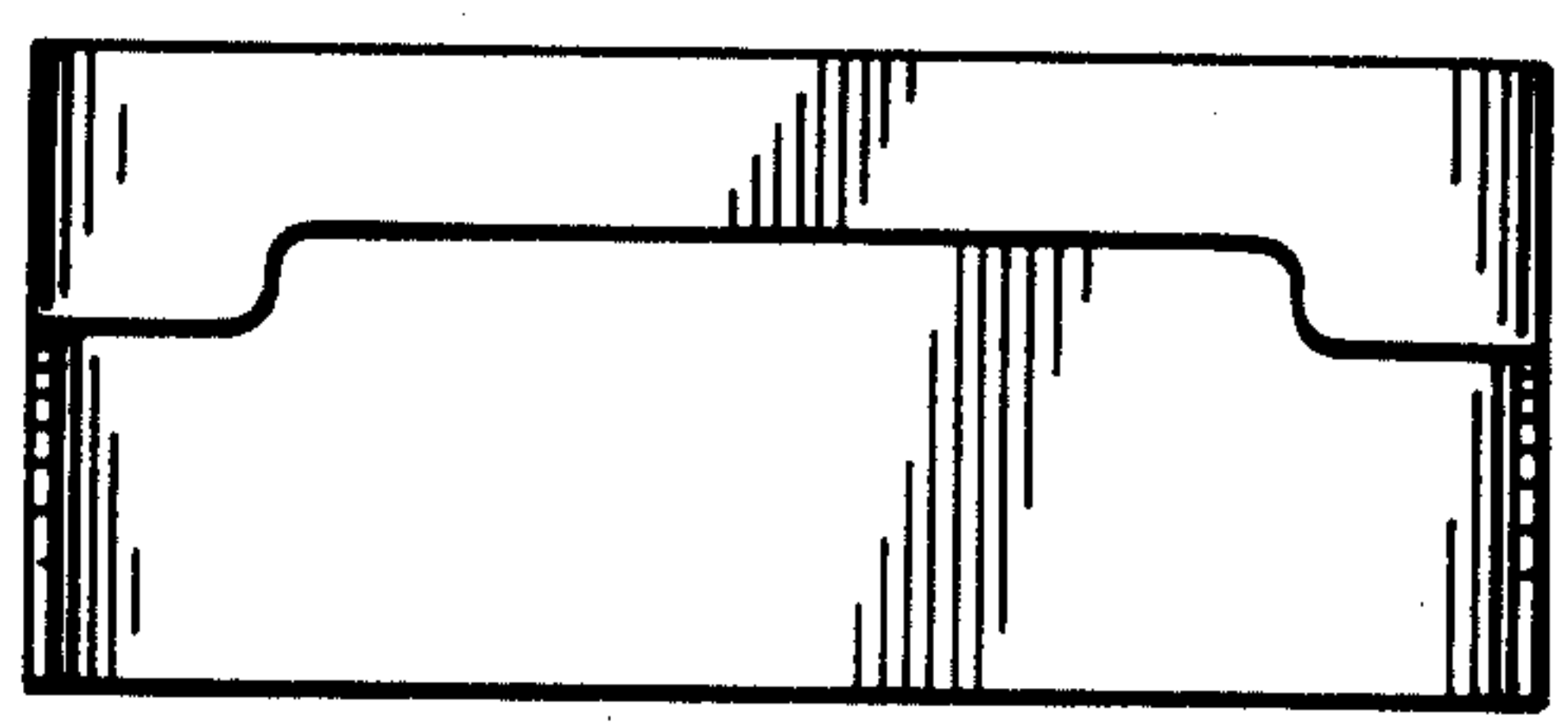


FIG. 6.

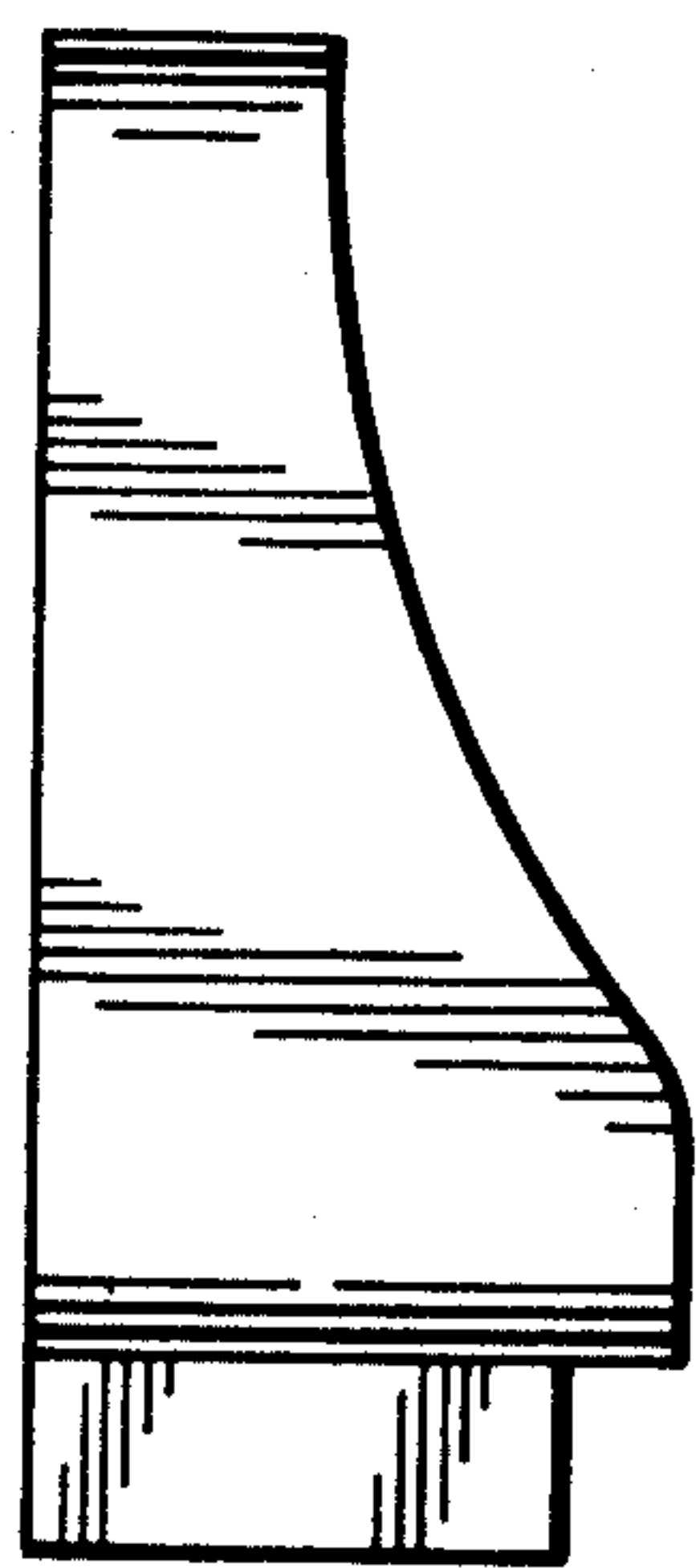


FIG. 7.

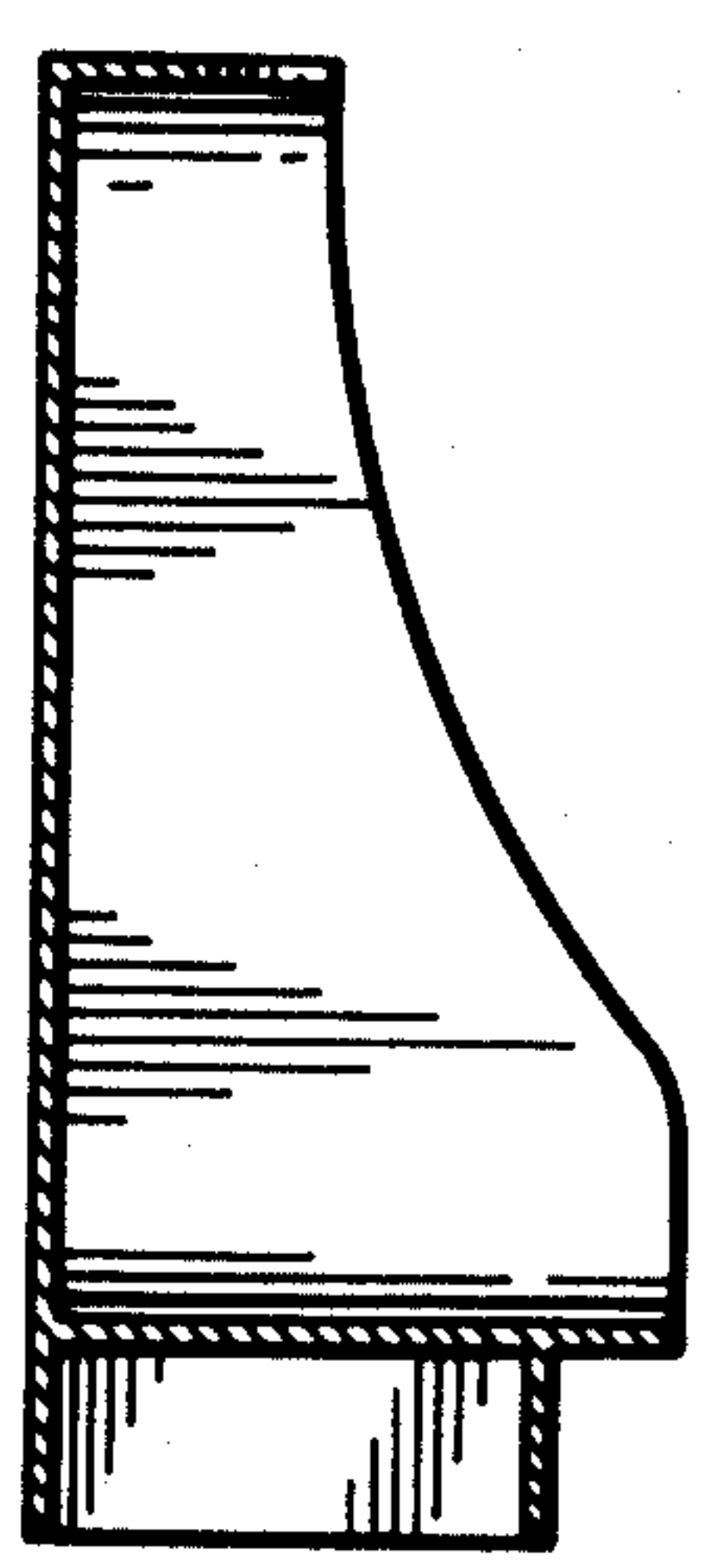


FIG. 8.

