

[54] CABINET WHICH HOUSES COMPONENTS EMPLOYED IN SURGERY

[75] Inventors: Ludwig A. Wettermann, Arlington Heights; William F. Auer, Des Plaines, both of Ill.

[73] Assignee: Richard Wolf Medical Instruments Corporation, Rosemont, Ill.

[**] Term: 14 Years

[21] Appl. No.: 864,156

[22] Filed: Dec. 23, 1977

[51] Int. Cl. D24-02

[52] U.S. Cl. D24/8; D24/17

[58] Field of Search D24/8; 128/399, 303.13, 128/303.14, 2.1 R, 401; D10/81, 46

[56] References Cited

U.S. PATENT DOCUMENTS

D. 219,494 12/1970 Glassner et al. D24/17

D. 224,070 6/1972 Lopez et al. D24/8
D. 247,227 2/1978 Bruni et al. D24/8 X
3,460,528 8/1969 Carney 128/2.1 R
3,467,104 9/1969 Burbridge et al. 128/401 X

Primary Examiner—Bernard Ansher
Attorney, Agent, or Firm—James B. Kinzer

[57] CLAIM

The ornamental design for a cabinet which houses components employed in surgery, substantially as shown and described.

DESCRIPTION

FIG. 1 is a front perspective view of a cabinet which houses components employed in surgery, showing our new design;

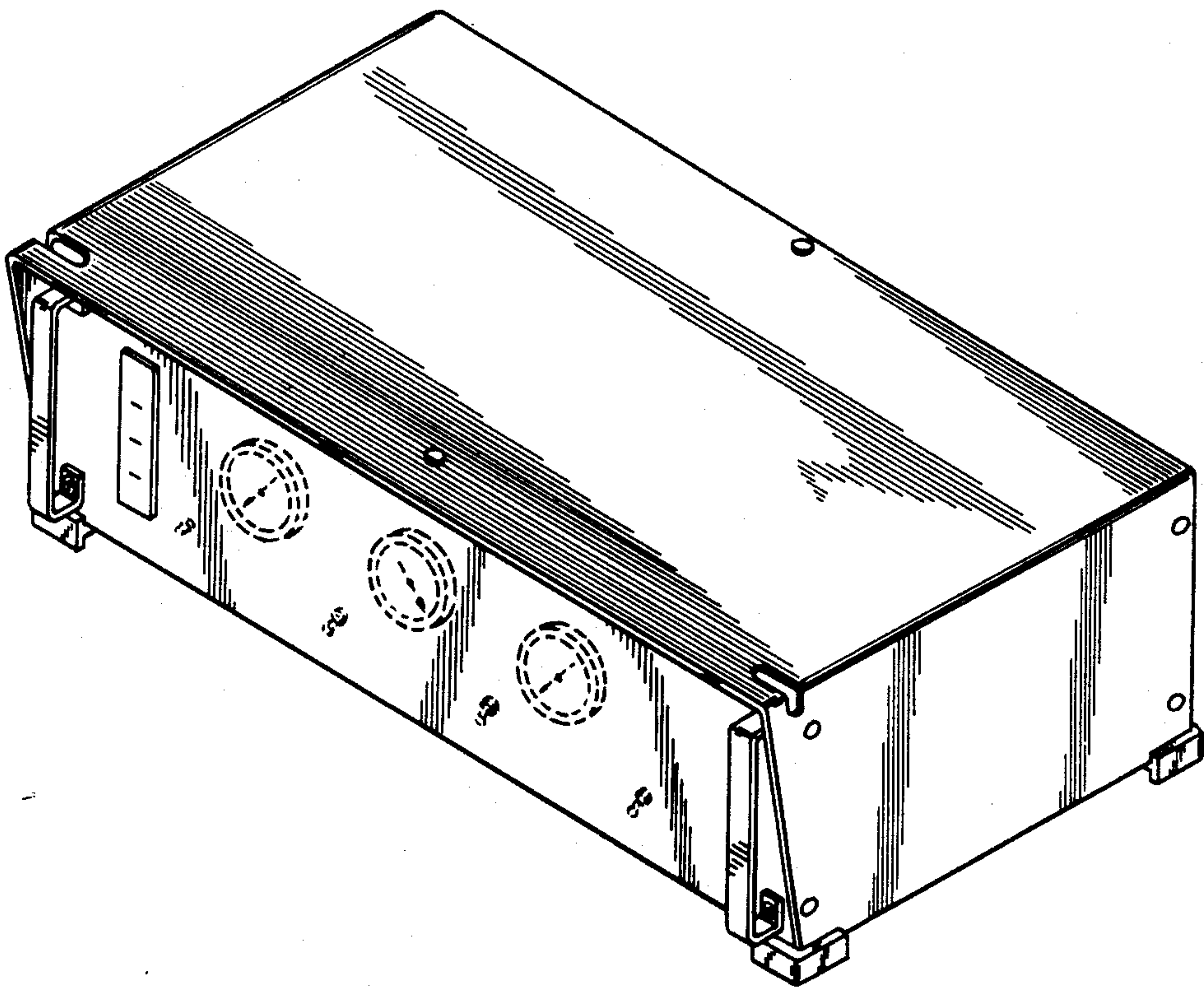
FIG. 2 is a top plan view thereof;

FIG. 3 is a front elevation thereof;

FIG. 4 is a side elevation thereof; and

FIG. 5 is a rear elevation thereof.

The broken lines are shown for illustrative purposes only;



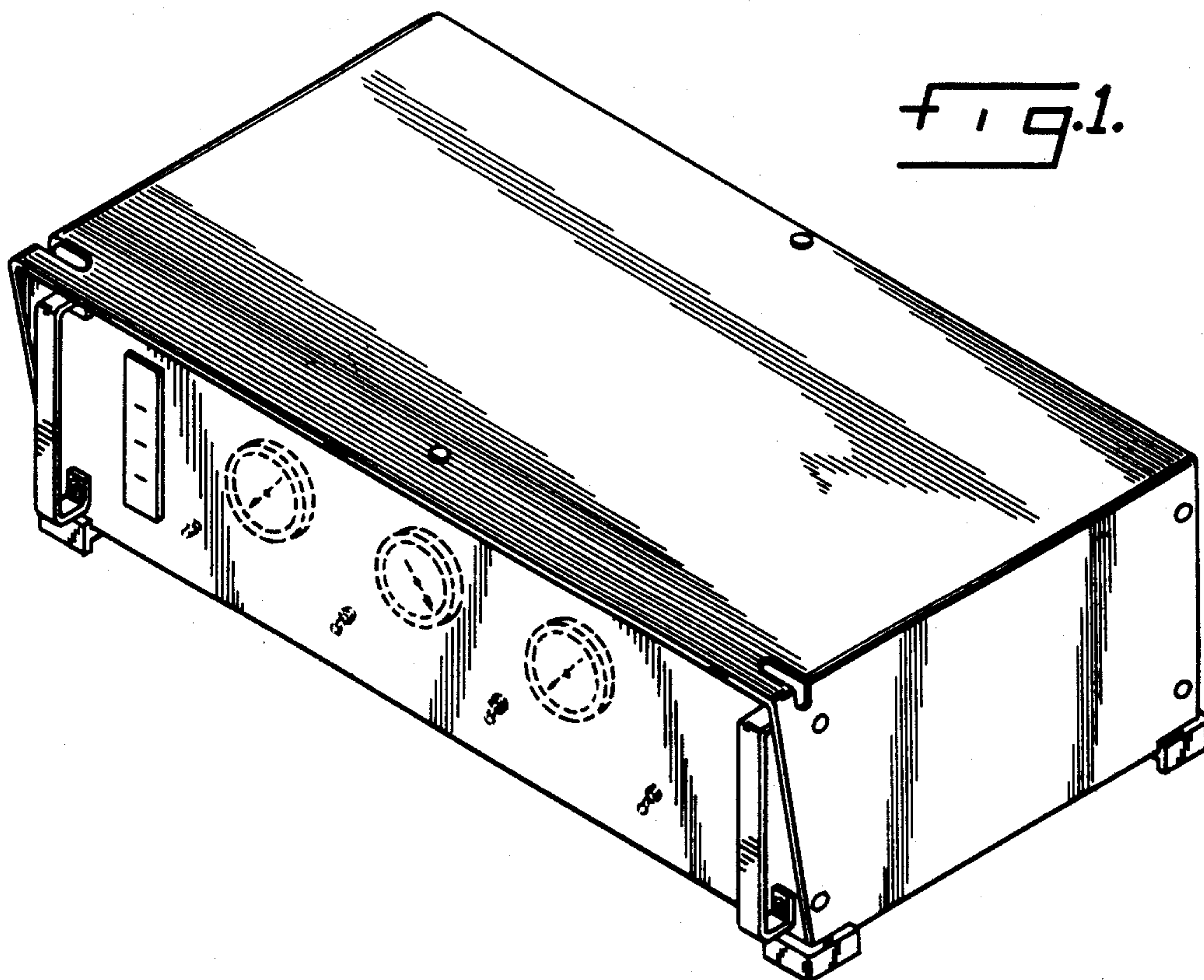


fig. 1.

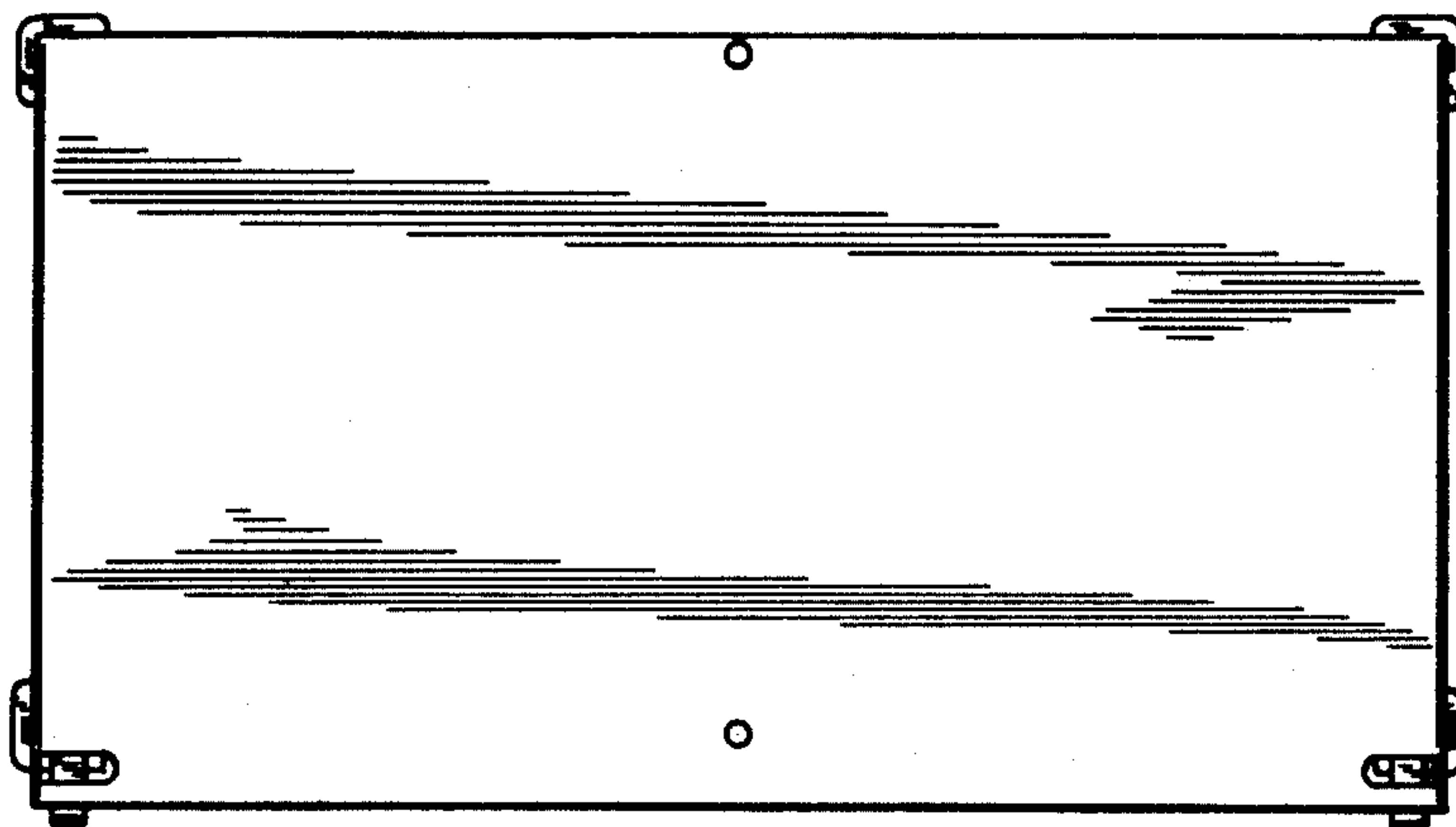


fig. 2.

fig. 3.

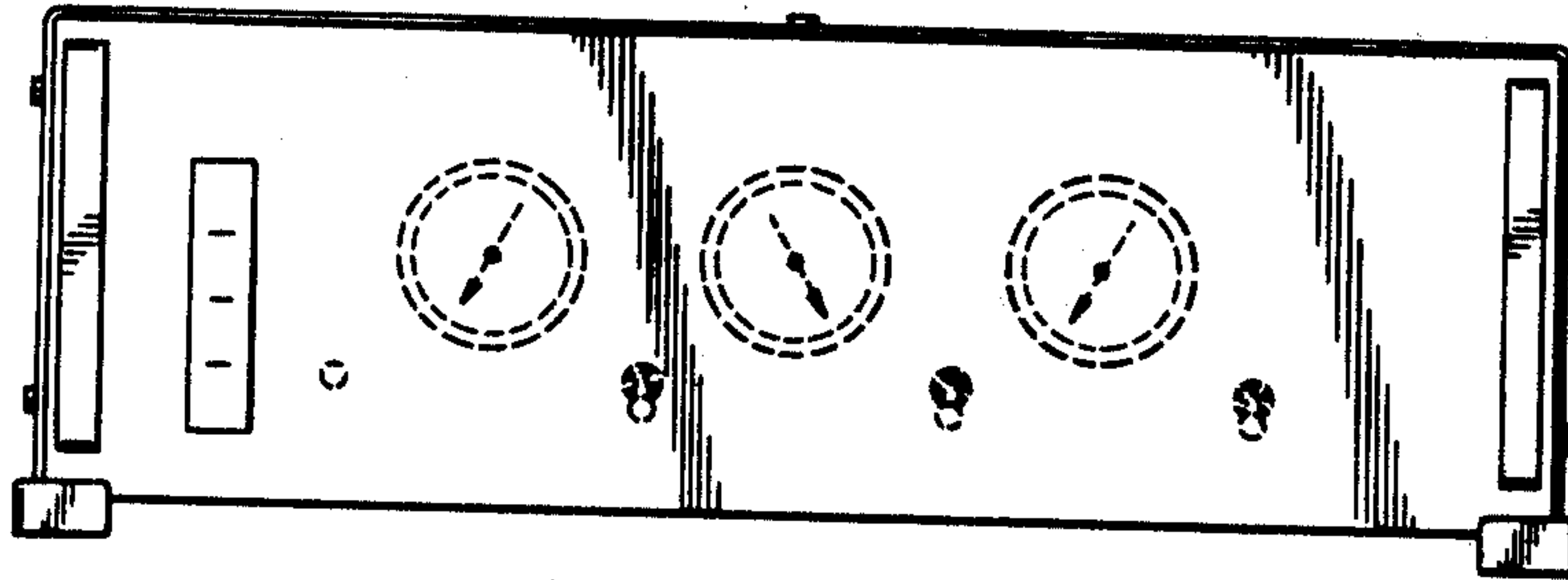


fig. 4.

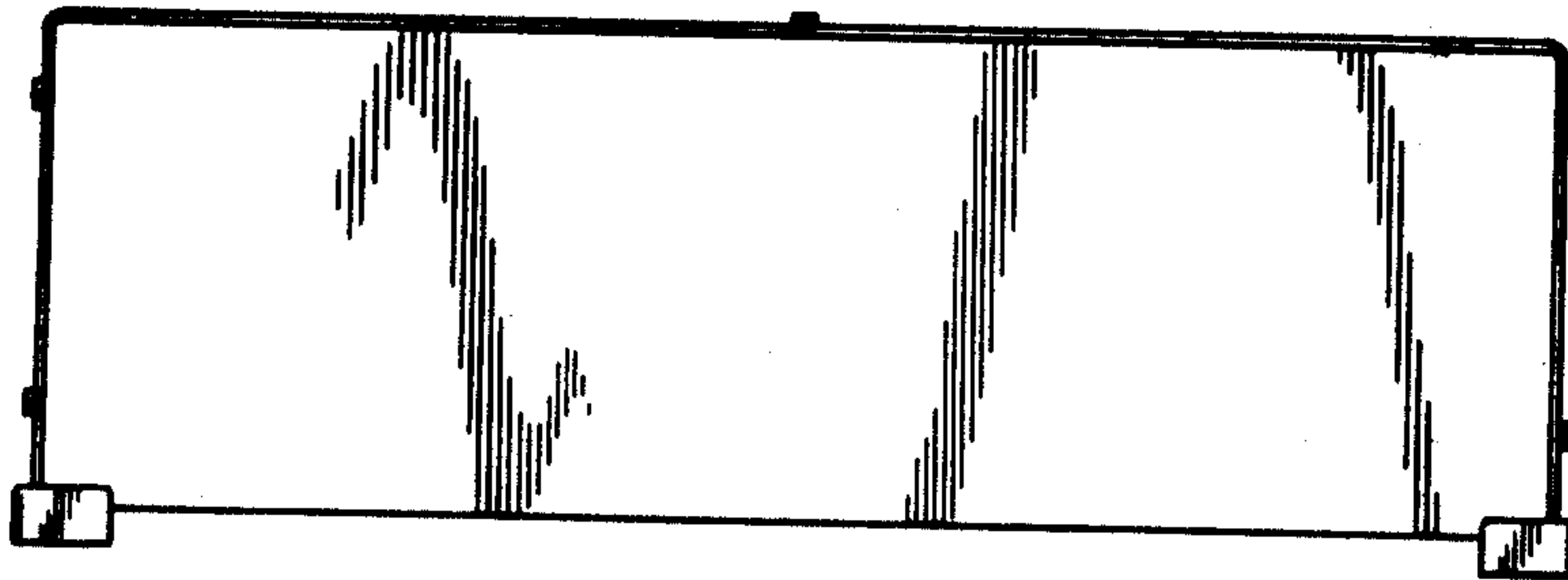
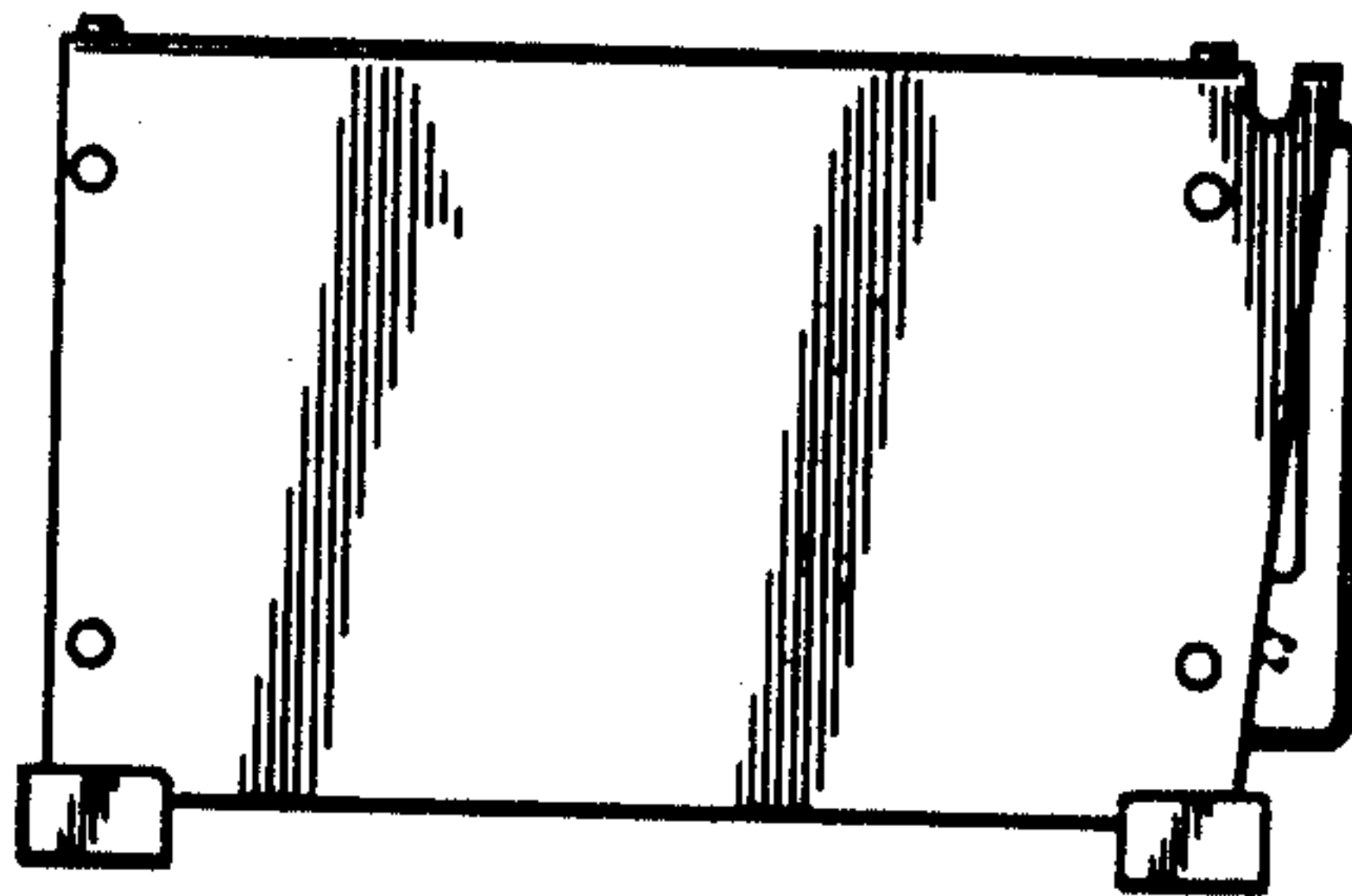


fig. 5.