

[54] **SUBSTRATE CLAMP FOR A SLITTING APPARATUS**  
 [75] Inventor: **James E. McCrea**, Fairport, N.Y.  
 [73] Assignee: **Xerox Corporation**, Stamford, Conn.  
 [\*\*] Term: **14 Years**  
 [21] Appl. No.: **773,727**  
 [22] Filed: **Mar. 2, 1977**

[51] Int. Cl. .... **D16-03**  
 [52] U.S. Cl. .... **D16/32; D8/72**  
 [58] Field of Search ..... **D16/12, 32; D8/71, 72; 101/227, 228; 83/18, 407, 151, 152, 155, 409, 418, 422, 423, 425, 435, 435.5; 271/204, 206**

[56] **References Cited**  
**U.S. PATENT DOCUMENTS**  
 D. 247,673 4/1978 Behun ..... D16/32

D. 248,482 7/1978 Schaffer ..... D16/32  
 2,668,591 2/1954 Winters ..... 83/407  
 2,996,982 8/1961 Alm ..... 83/151 X  
 3,177,746 4/1965 Langer ..... 83/18  
 4,060,236 11/1977 Carstedt ..... 271/204 X

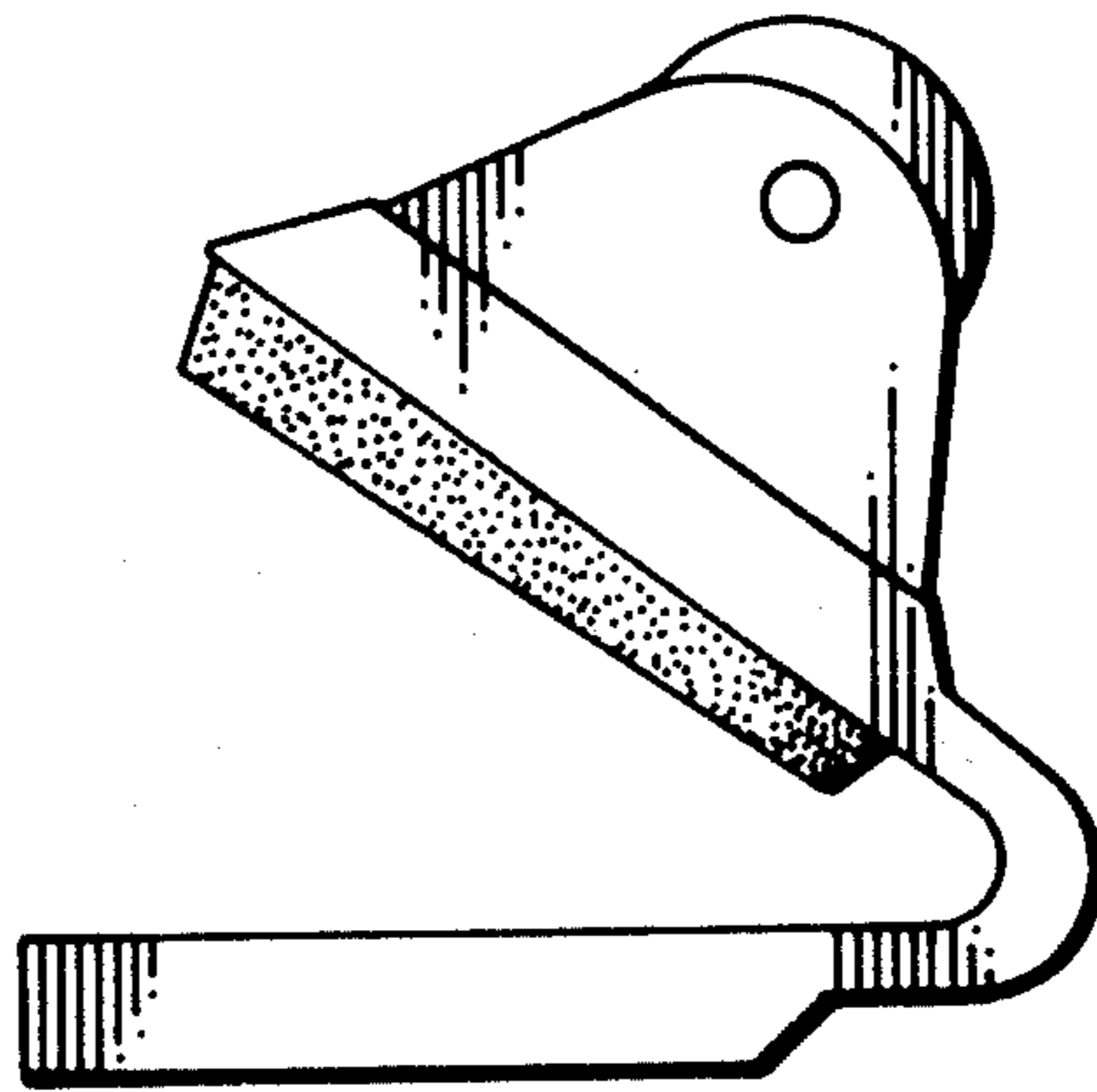
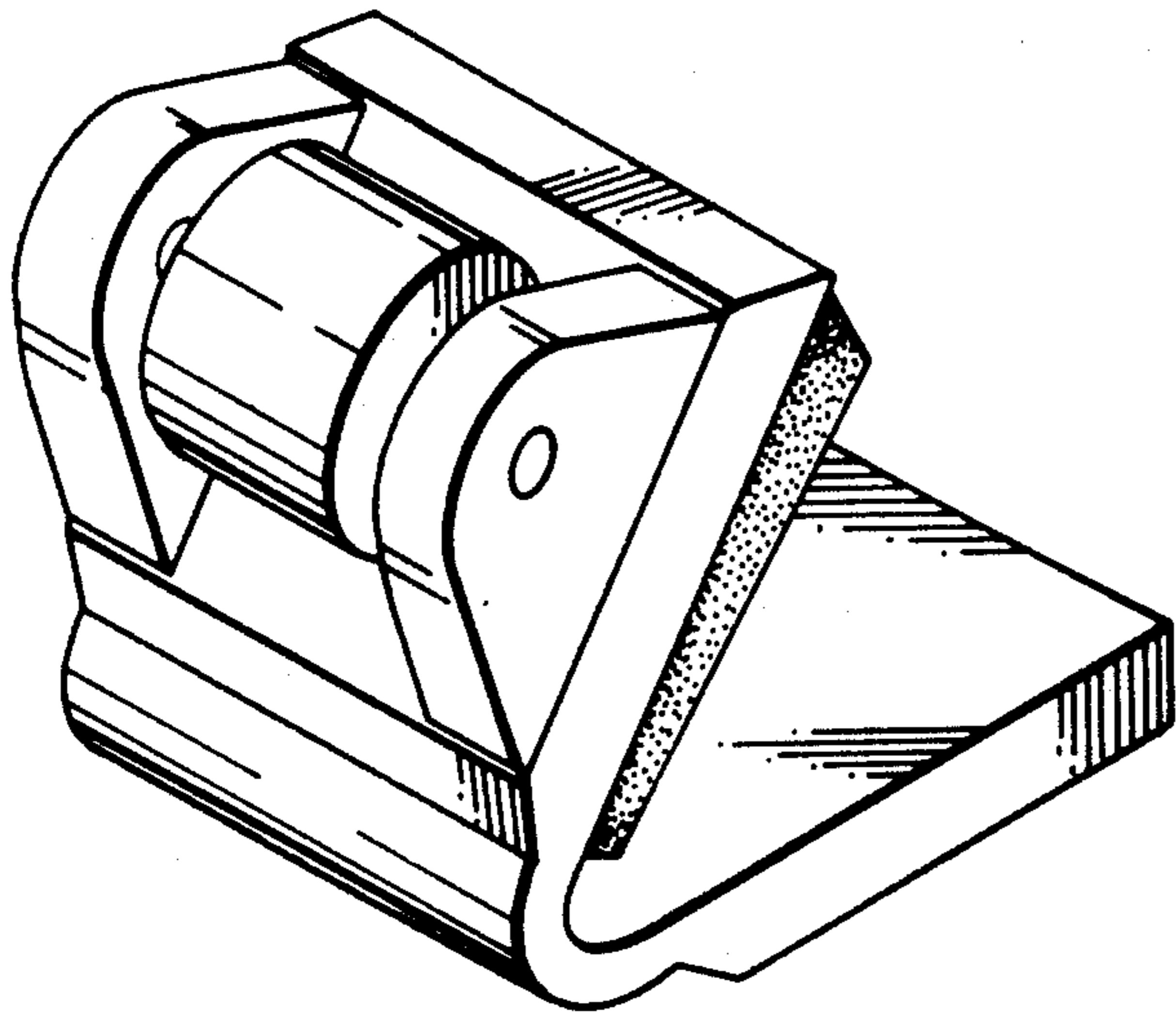
*Primary Examiner*—Bernard Ansher  
*Attorney, Agent, or Firm*—James J. Ralabate

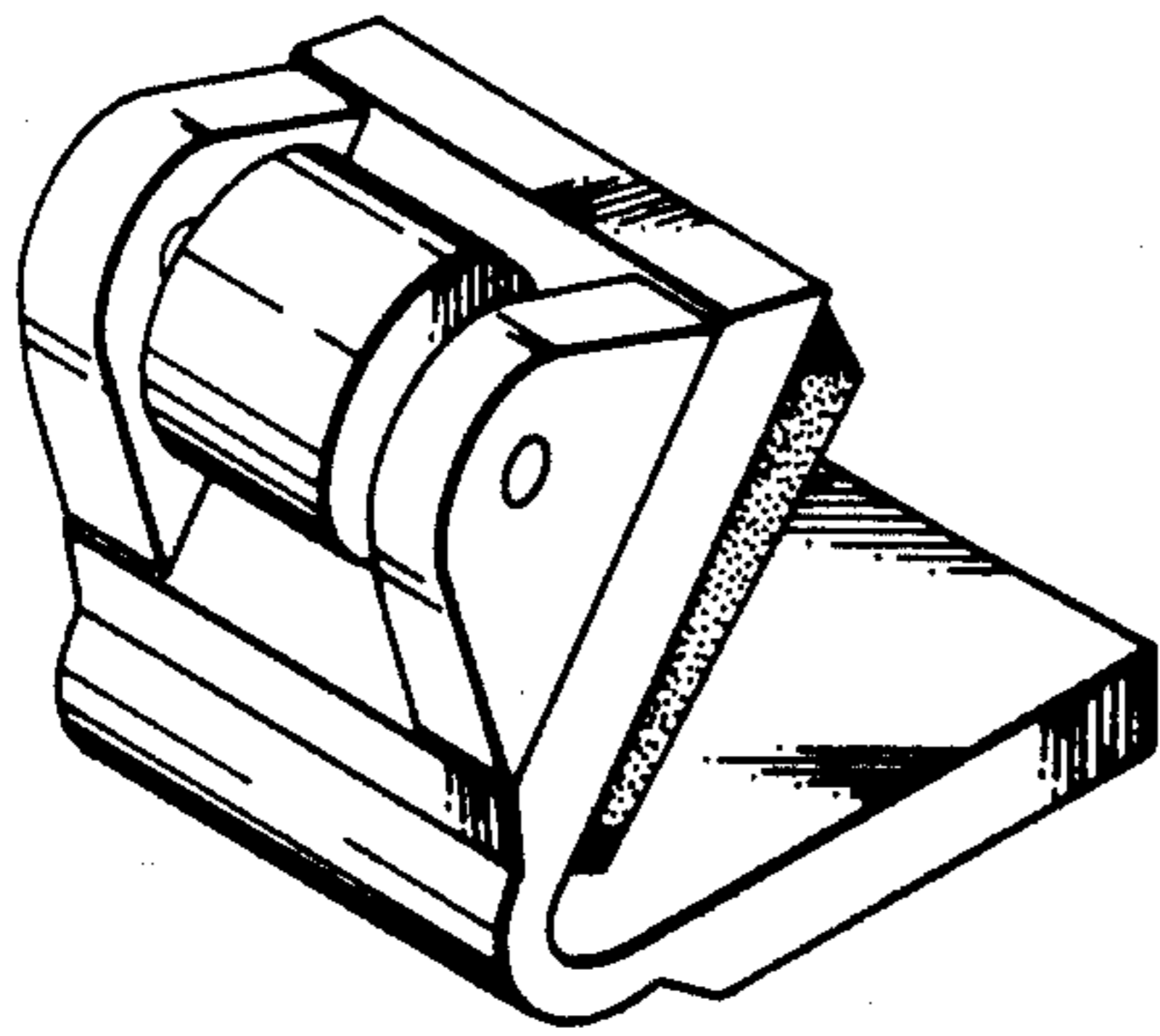
[57] **CLAIM**

The ornamental design for a substrate clamp for a slitting apparatus, as shown.

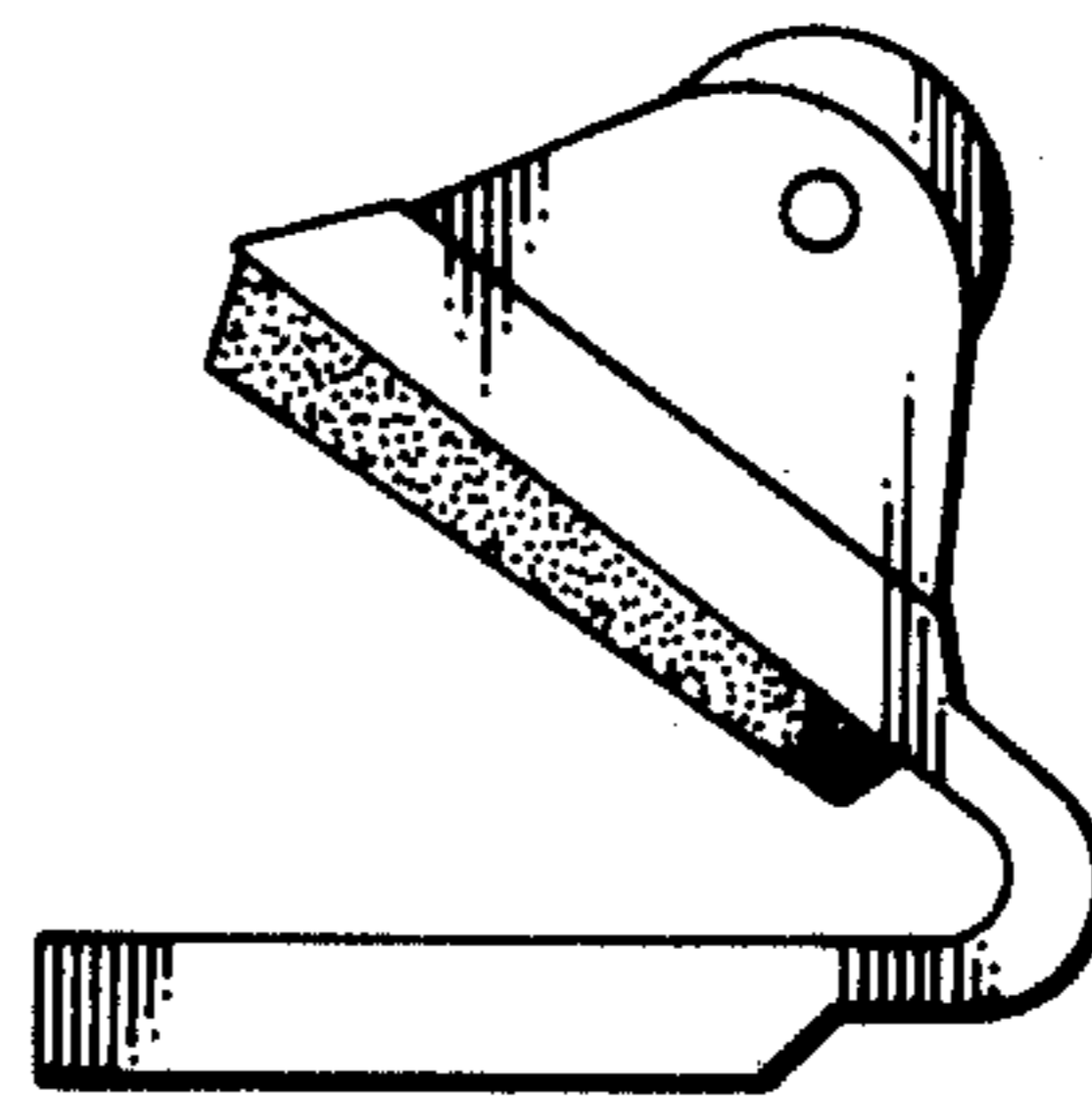
**DESCRIPTION**

FIG. 1 is a perspective view of a substrate clamp for a slitting apparatus showing my new design; FIG. 2 is a left side elevational view thereof; FIG. 3 is a right side elevational view thereof; FIG. 4 is a front elevational view thereof; FIG. 5 is a top plan view thereof; and FIG. 6 is a rear elevational view thereof.

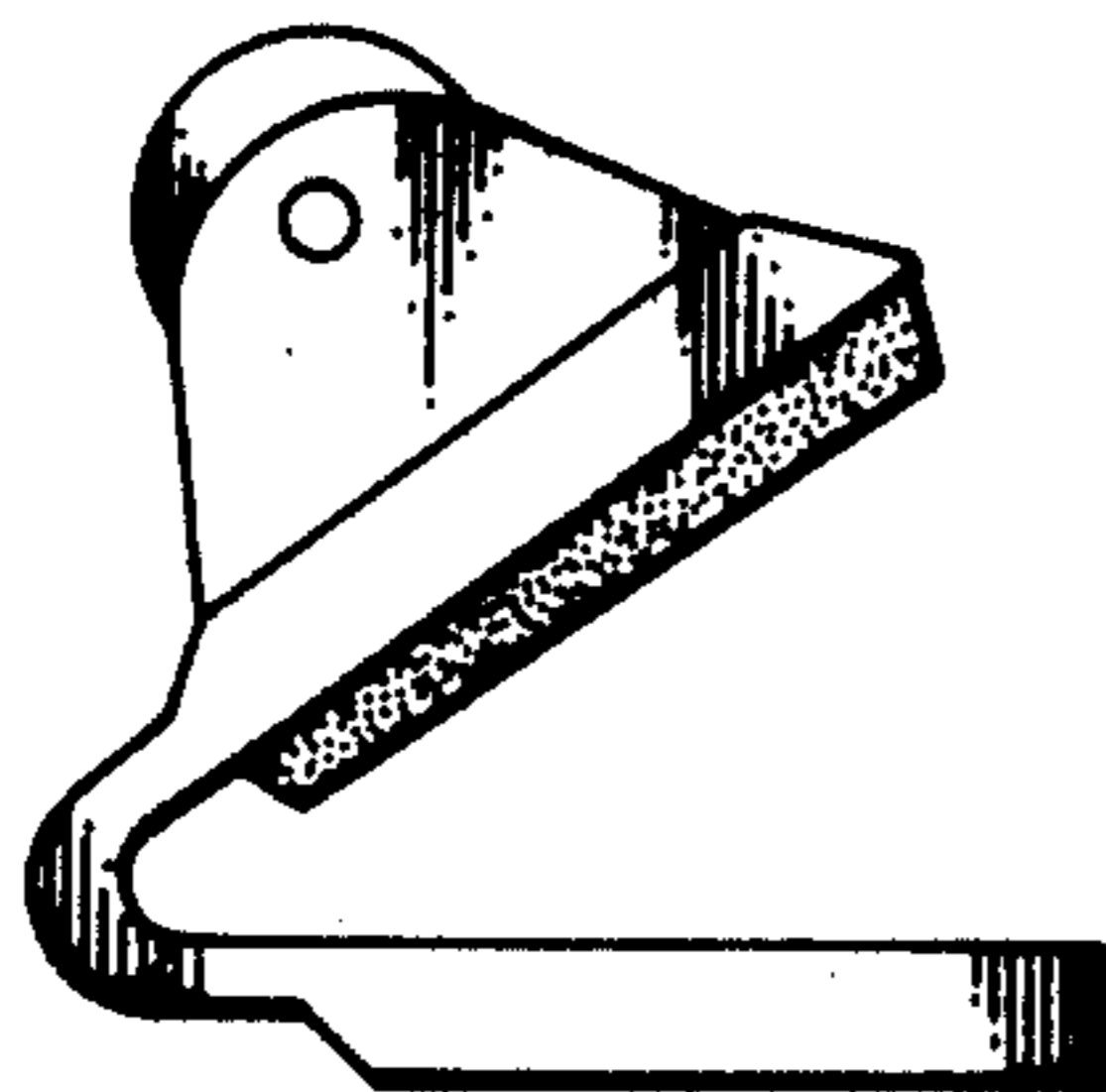




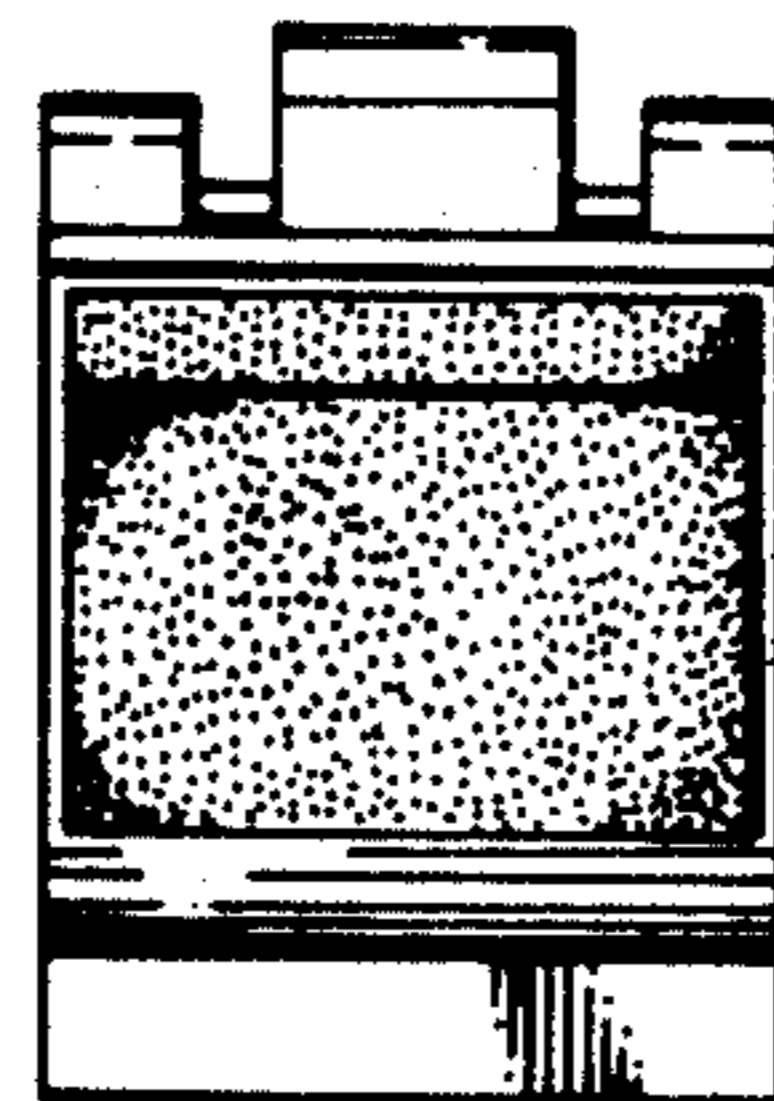
*FIG. 1*



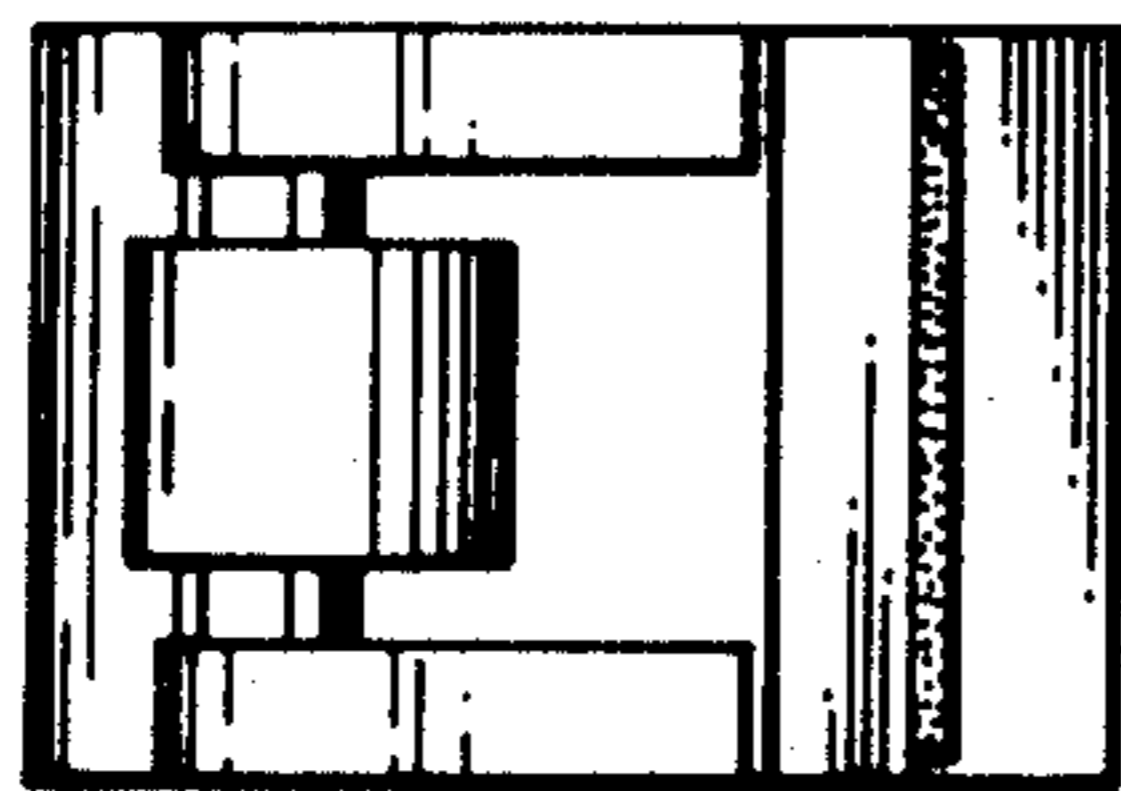
*FIG. 2*



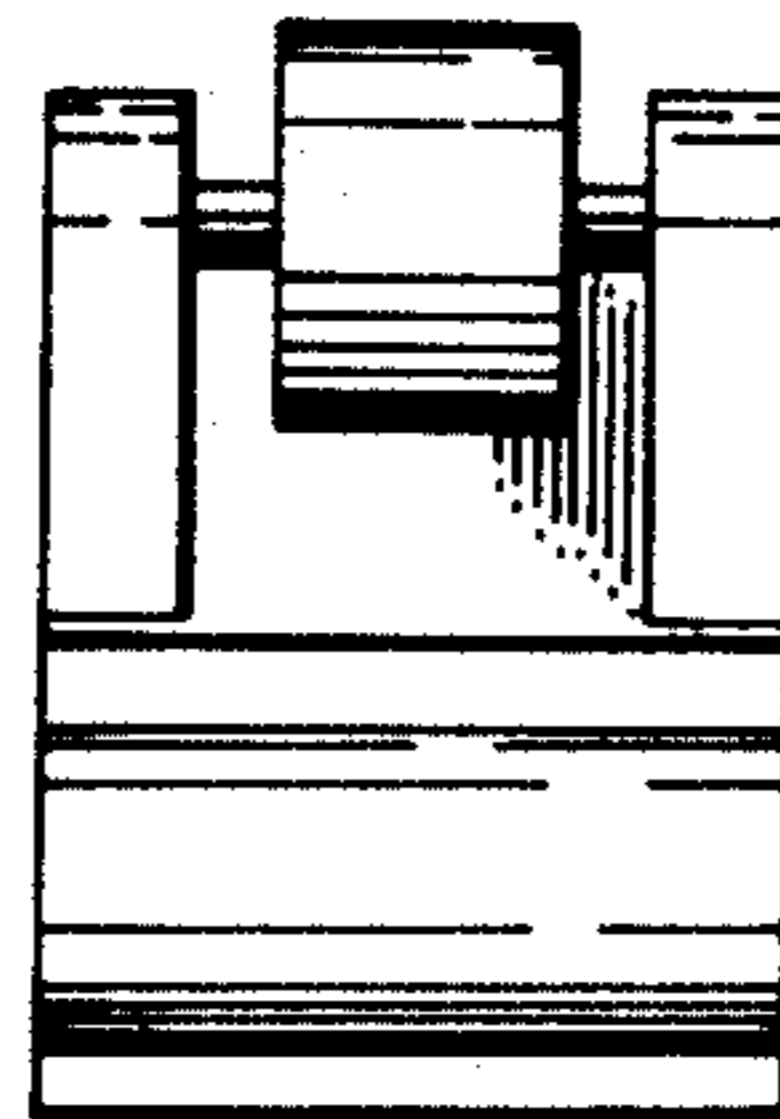
*FIG. 3*



*FIG. 4*



*FIG. 5*



*FIG. 6*