

[54] CURB FORMING MACHINE

[75] Inventors: Joseph T. Gregorich, Rockford; William C. Goers, Dundee; Walter B. Seefeldt, Naperville, all of Ill.

[73] Assignee: Barber-Greene Company, Aurora, Ill.

[**] Term: 14 Years

[21] Appl. No.: 793,169

[22] Filed: May 2, 1977

[51] Int. Cl. D15-04

[52] U.S. Cl. D15/22

[58] Field of Search D15/22, 24, 10; 404/98, 404/96

[56] References Cited

U.S. PATENT DOCUMENTS

3,779,661	12/1973	Godbersen	404/98
3,779,662	12/1973	Smith	404/98
4,029,165	6/1977	Miller et al.	404/98

OTHER PUBLICATIONS

Construction Methods & Equipment, 2/77, p. 75, Concrete Slipformer, bottom left side of page.

Construction Methods & Equipment, 5/76, p. 27, Curb Forming Machine, lower right side of page.

Primary Examiner—James M. Gandy

Attorney, Agent, or Firm—Dugald S. McDougall

[57] CLAIM

The ornamental design for a curb forming machine, as shown.

DESCRIPTION

FIG. 1 is a perspective view of a curb forming machine embodying our new design showing the front and one side thereof;

FIG. 2 is a perspective view showing the rear and the other side thereof;

FIG. 3 is a rear elevational view thereof;

FIG. 4 is a front elevational view thereof;

FIG. 5 is a side elevational view thereof;

FIG. 6 is a side elevational view thereof showing the side opposite the side shown in FIG. 5; and

FIG. 7 is a top plan view thereof.

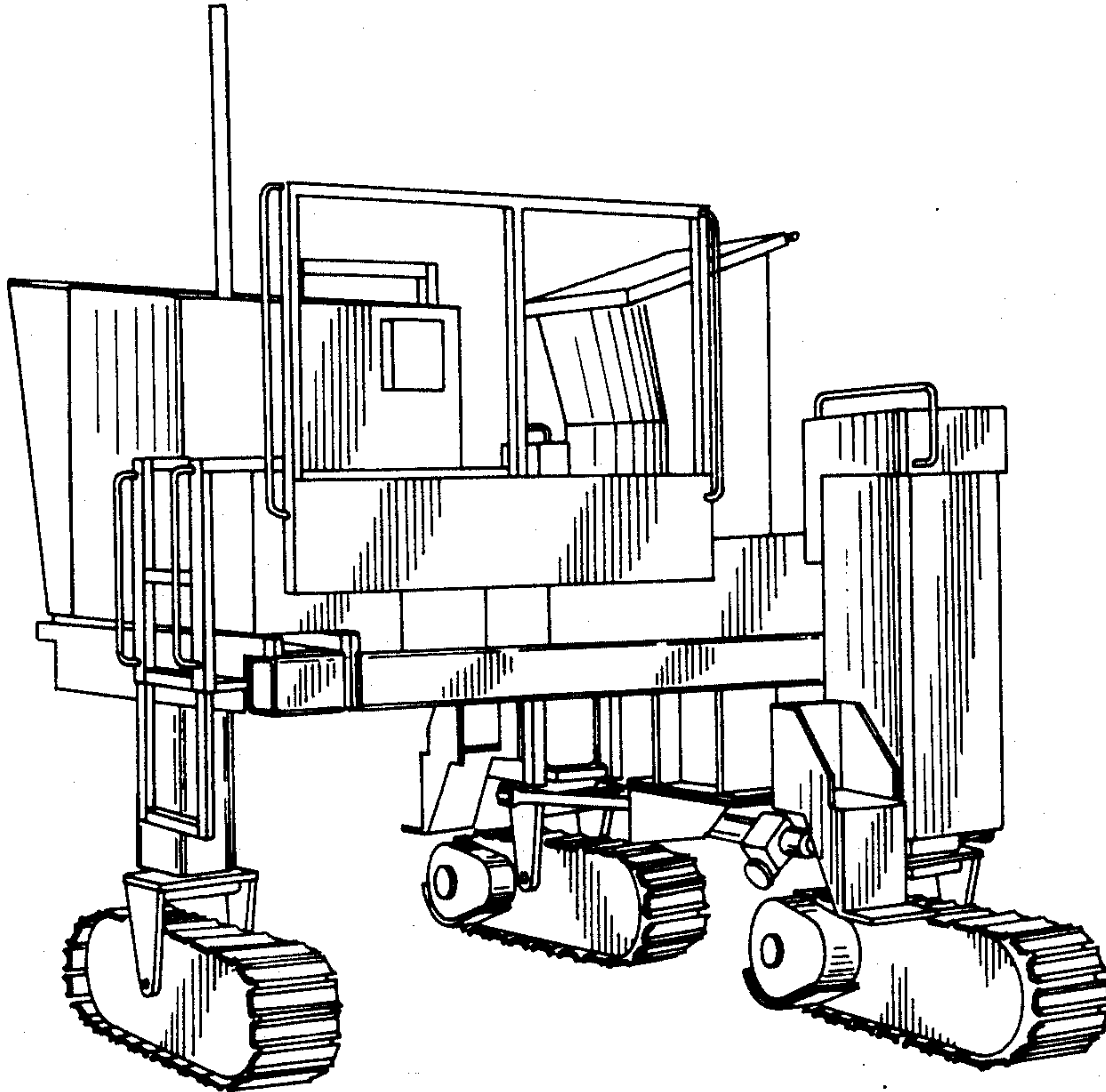


FIG. 1

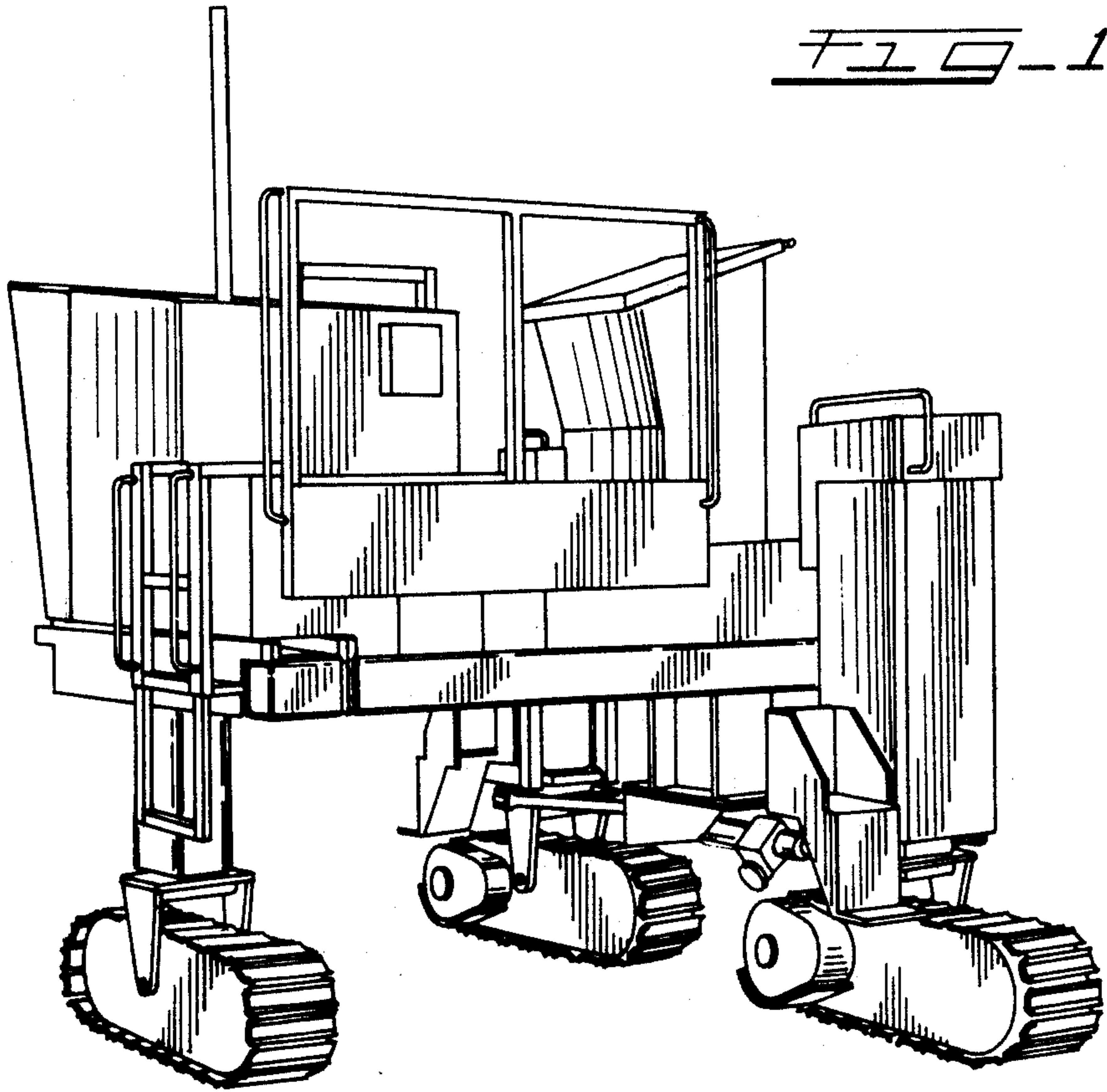


FIG. 2

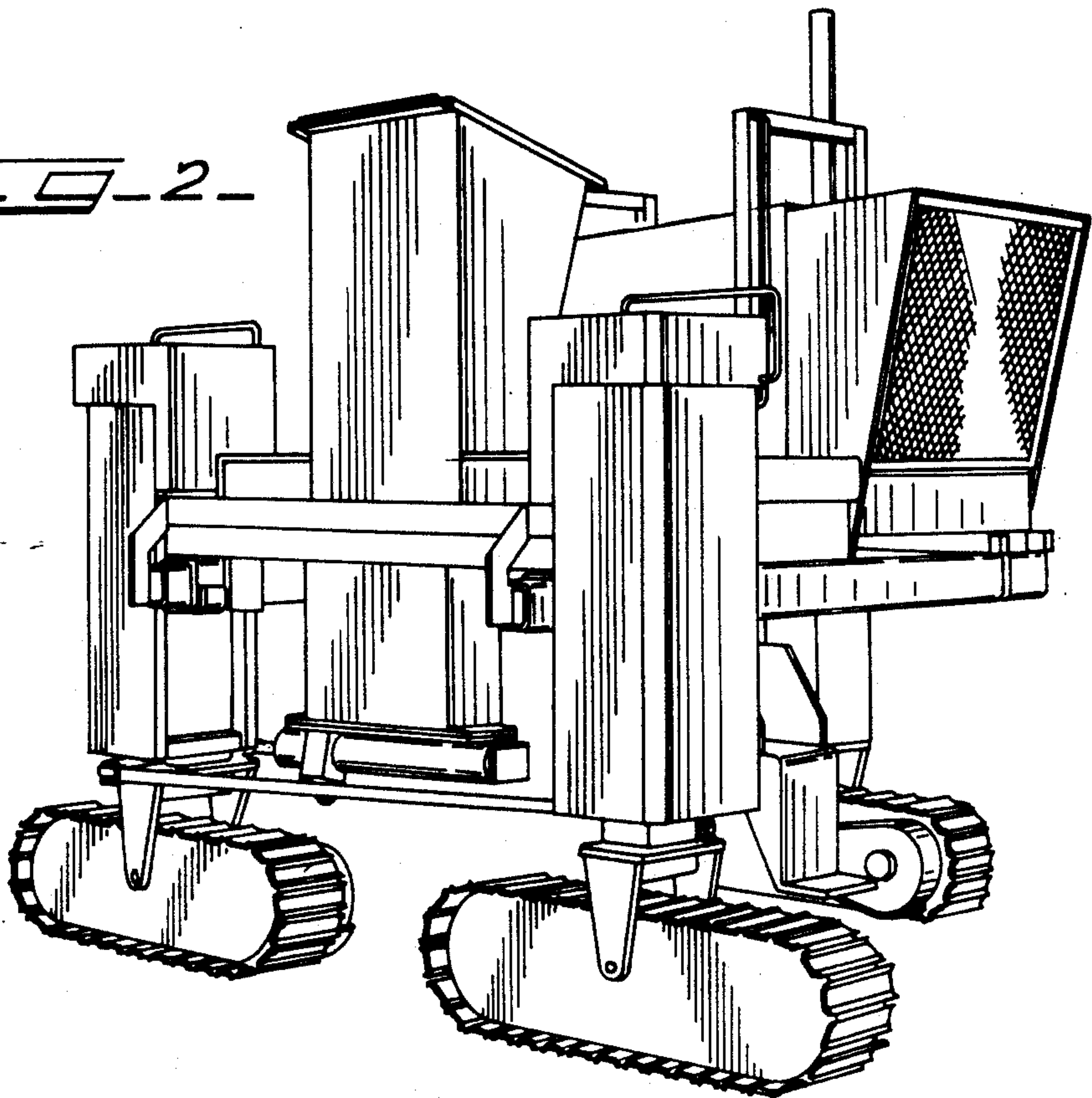


FIG. 3

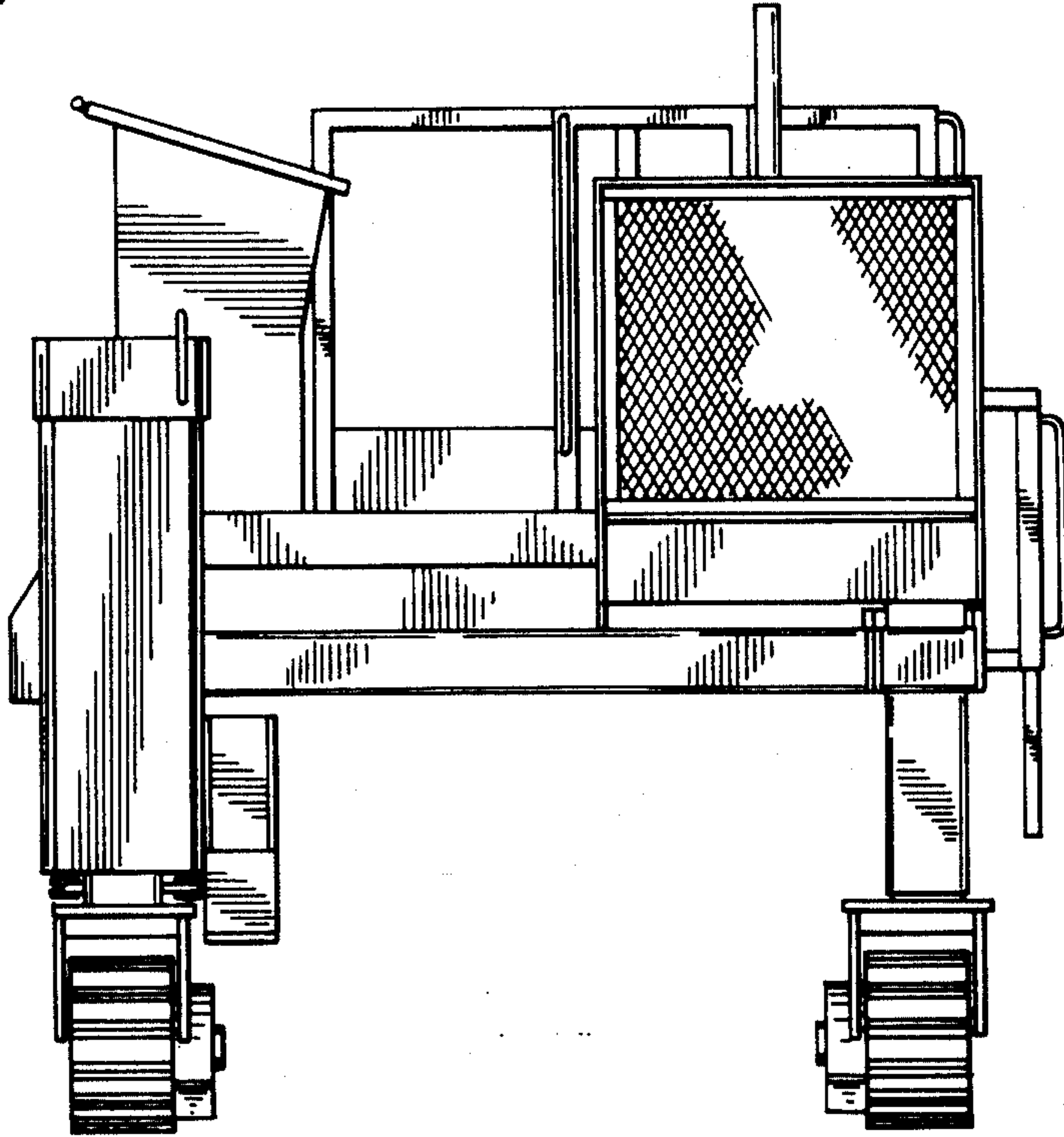


FIG. 4

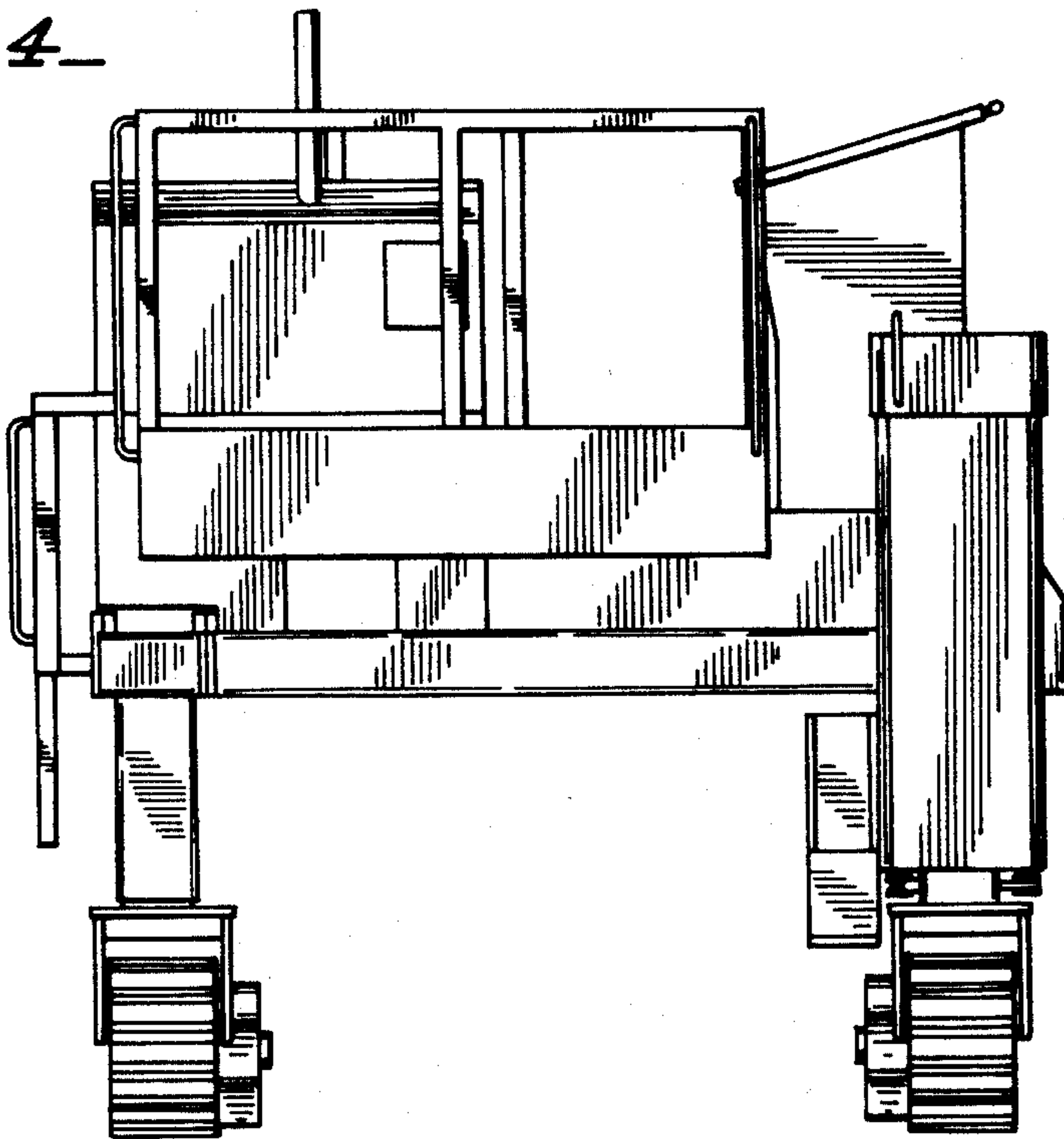


FIG. 5

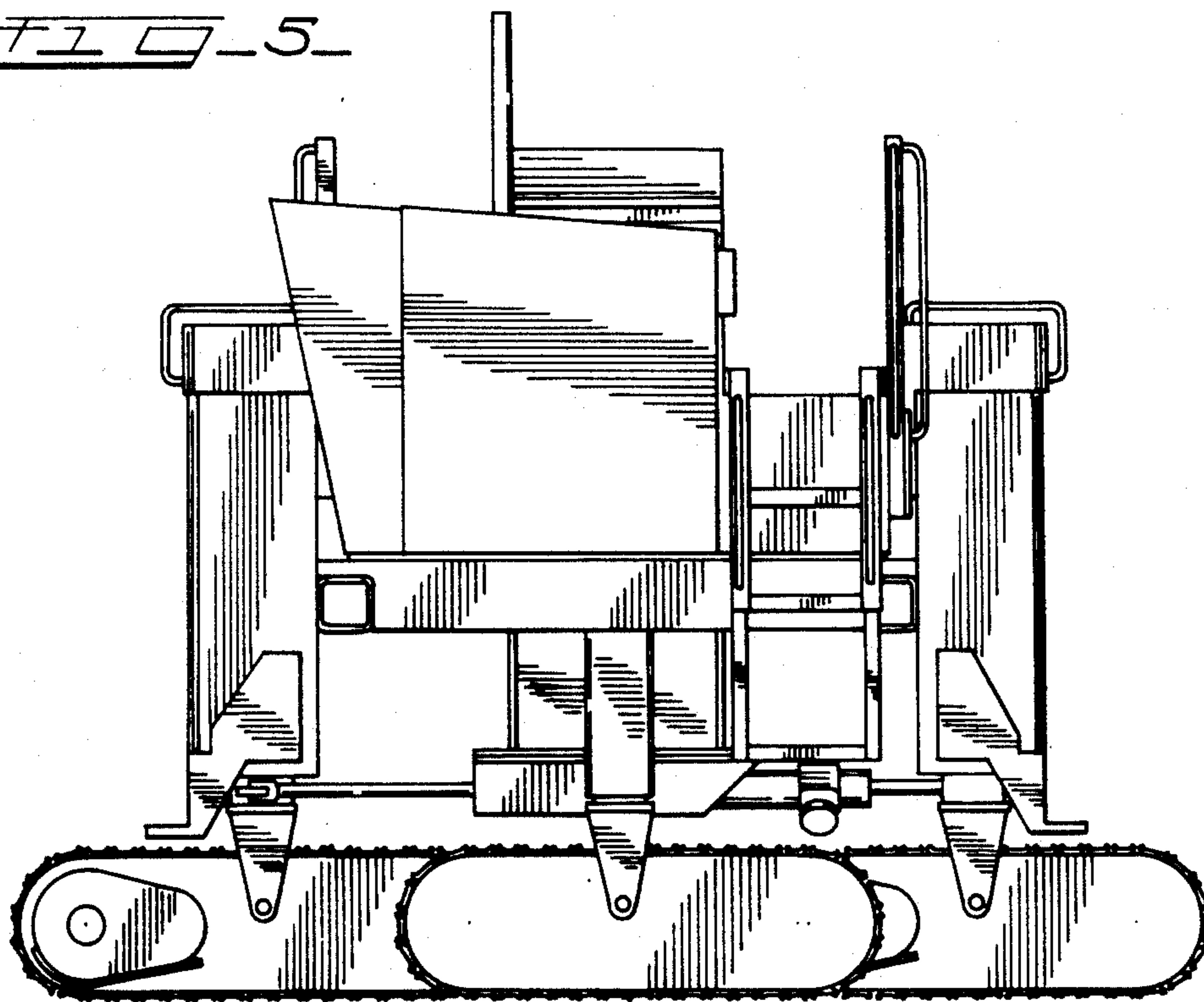


FIG. 6

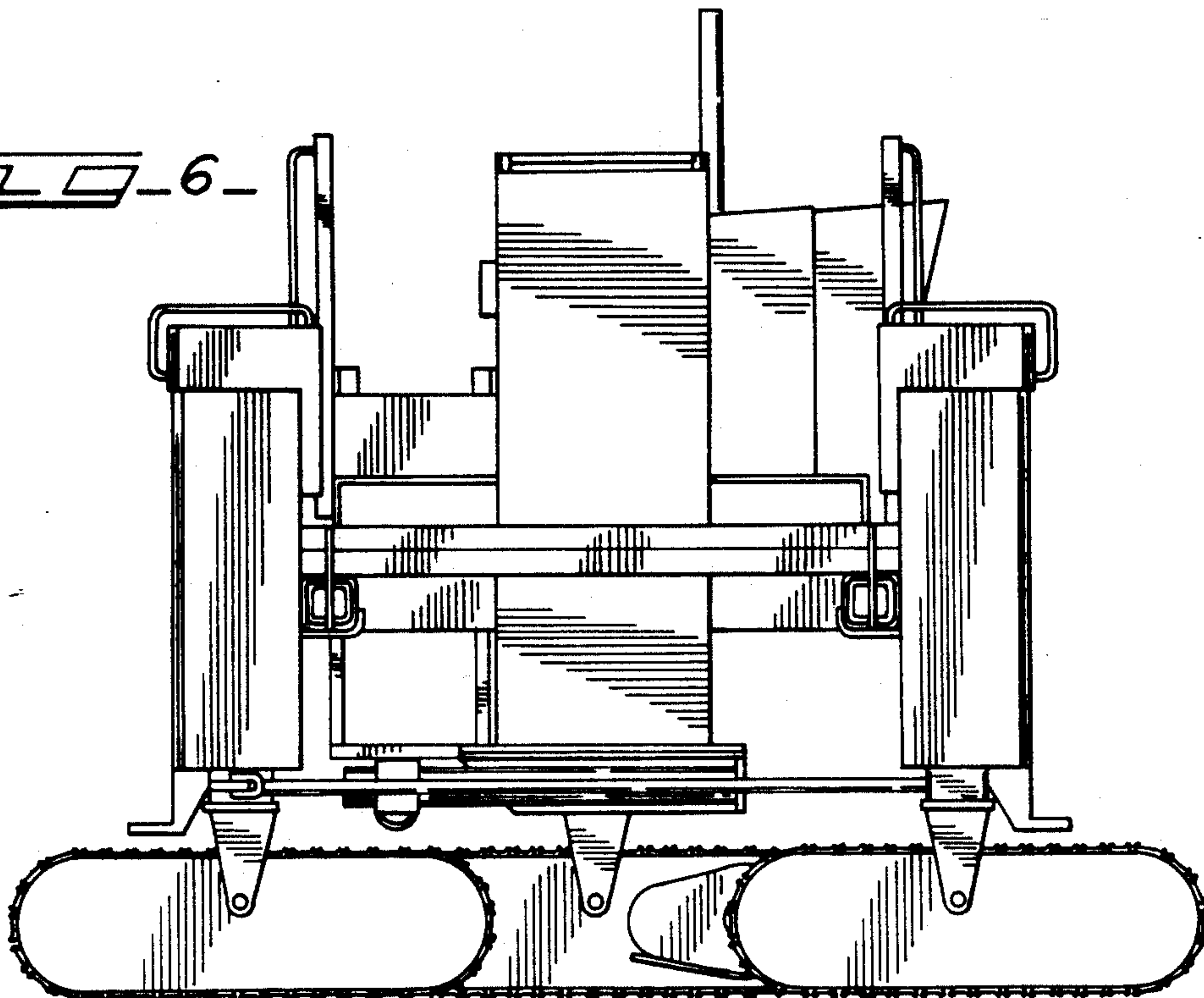


FIG. 7

