

[54] DECOLLATOR

[75] Inventor: Edward E. Barrett, Massapequa Park, N.Y.

[73] Assignee: Swingline Inc., Long Island, N.Y.

[**] Term: 14 Years

[21] Appl. No.: 704,942

[22] Filed: Jul. 13, 1976

[51] Int. Cl. D14-02; D16-99; D18-99

[52] U.S. Cl. D18/22; D16/32; D18/22

[58] Field of Search D14/40, 48; D16/32; 270/32, 42, 45, 52, 58; 271/63, 64; D64/11 R

[56] References Cited

U.S. PATENT DOCUMENTS

3,193,279	7/1965	Campbell	270/45 X
3,514,095	5/1970	Hoff	270/58
3,580,563	5/1971	Bassett	270/58

3,887,176	6/1975	Paulus et al.	270/58
3,891,202	6/1975	Kircher	270/58

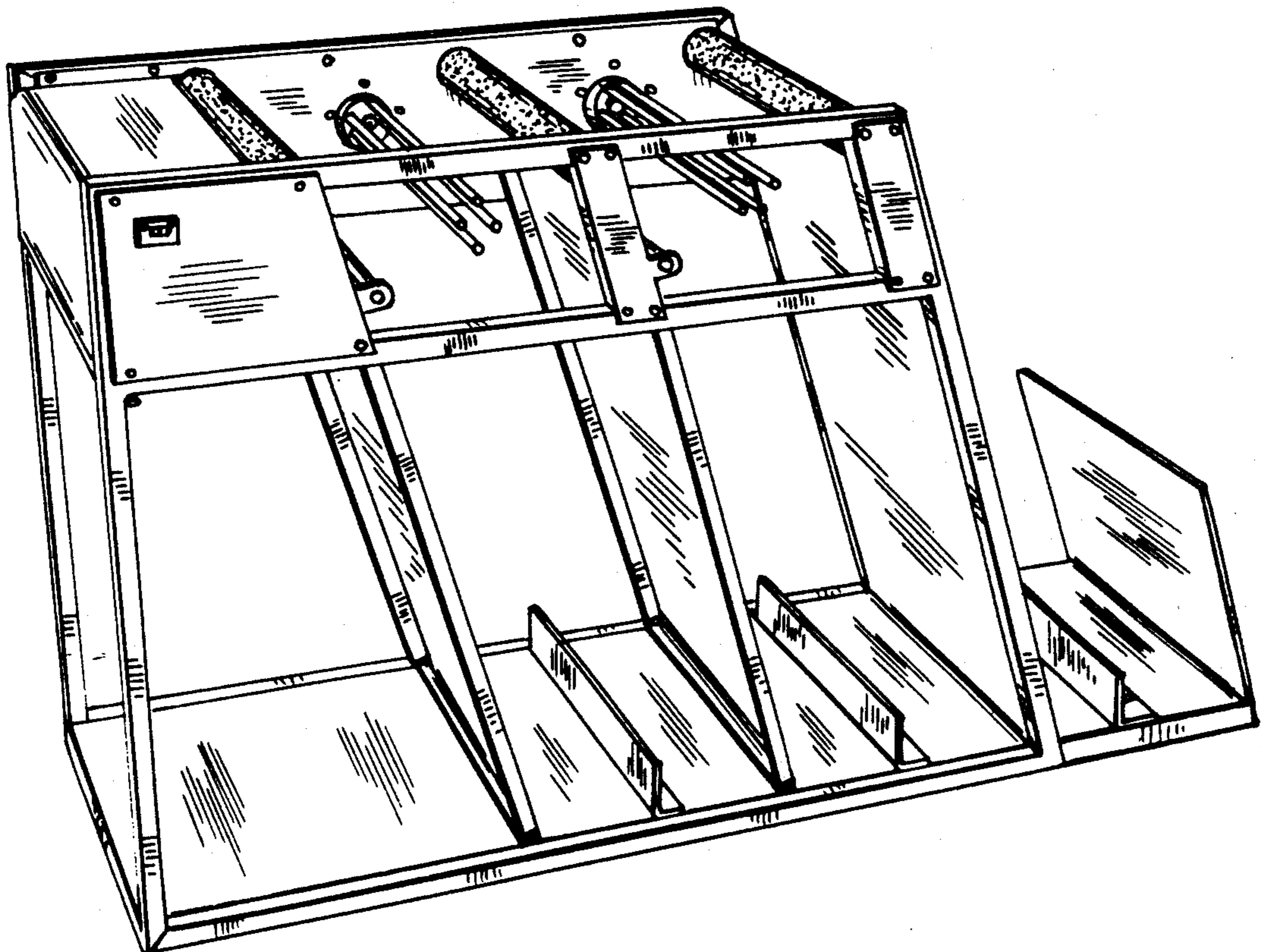
Primary Examiner—Susan J. Lucas
Attorney, Agent, or Firm—Willis H. Taylor, Jr.

[57] CLAIM

The ornamental design for a decollator, substantially as shown and described.

DESCRIPTION

FIG. 1 is a perspective view of a decollator showing my new design;
 FIG. 2 is a plan view on a reduced scale;
 FIG. 3 is an elevational view of one side on a reduced scale;
 FIG. 4 is a side elevational view of the other side on a reduced scale;
 FIG. 5 is an elevational view of one end on a reduced scale;
 FIG. 6 is an elevational view of the other end on a reduced scale.
 FIG. 7 is a perspective view of the side opposite that shown in FIG. 1 on an enlarged scale.



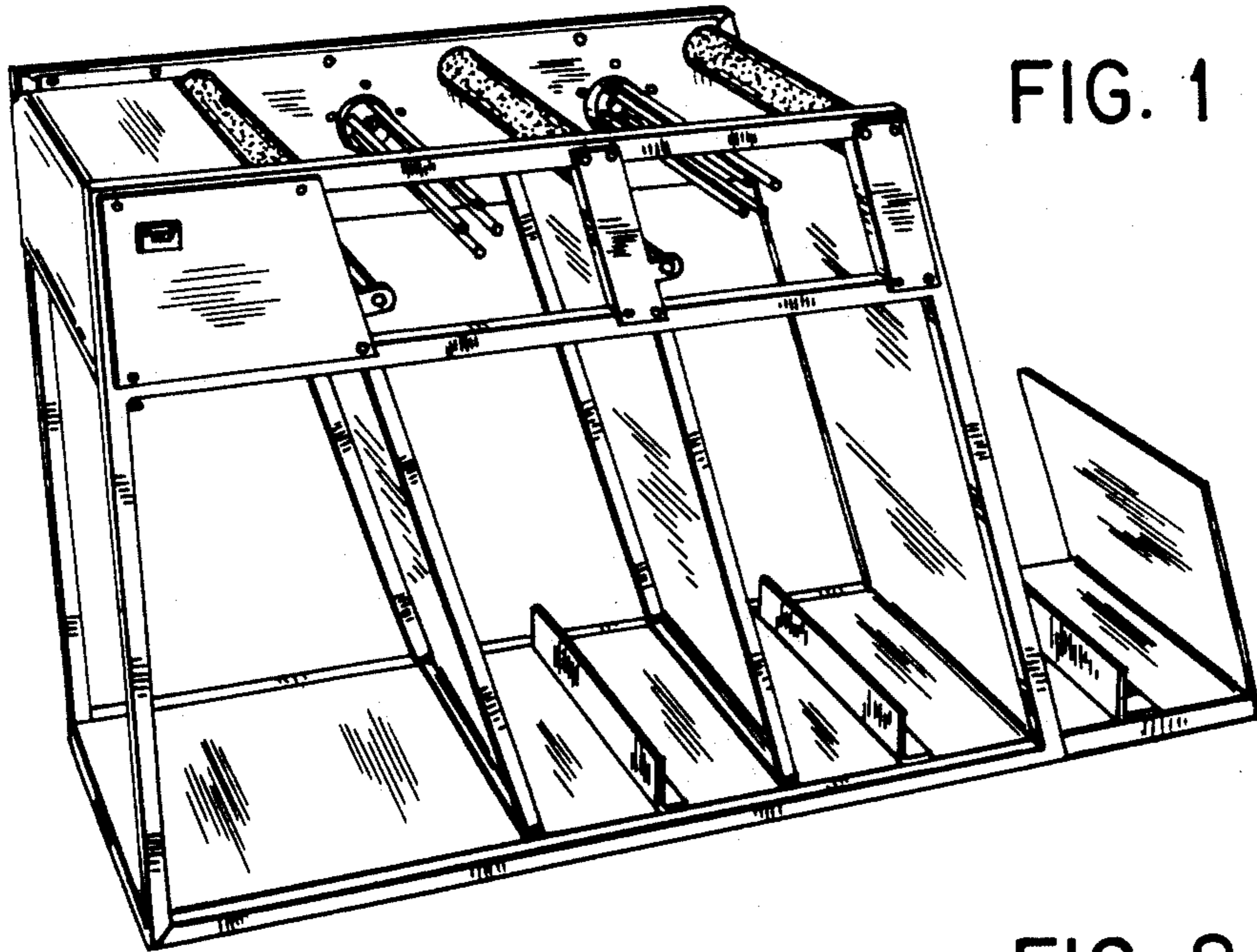


FIG. 1

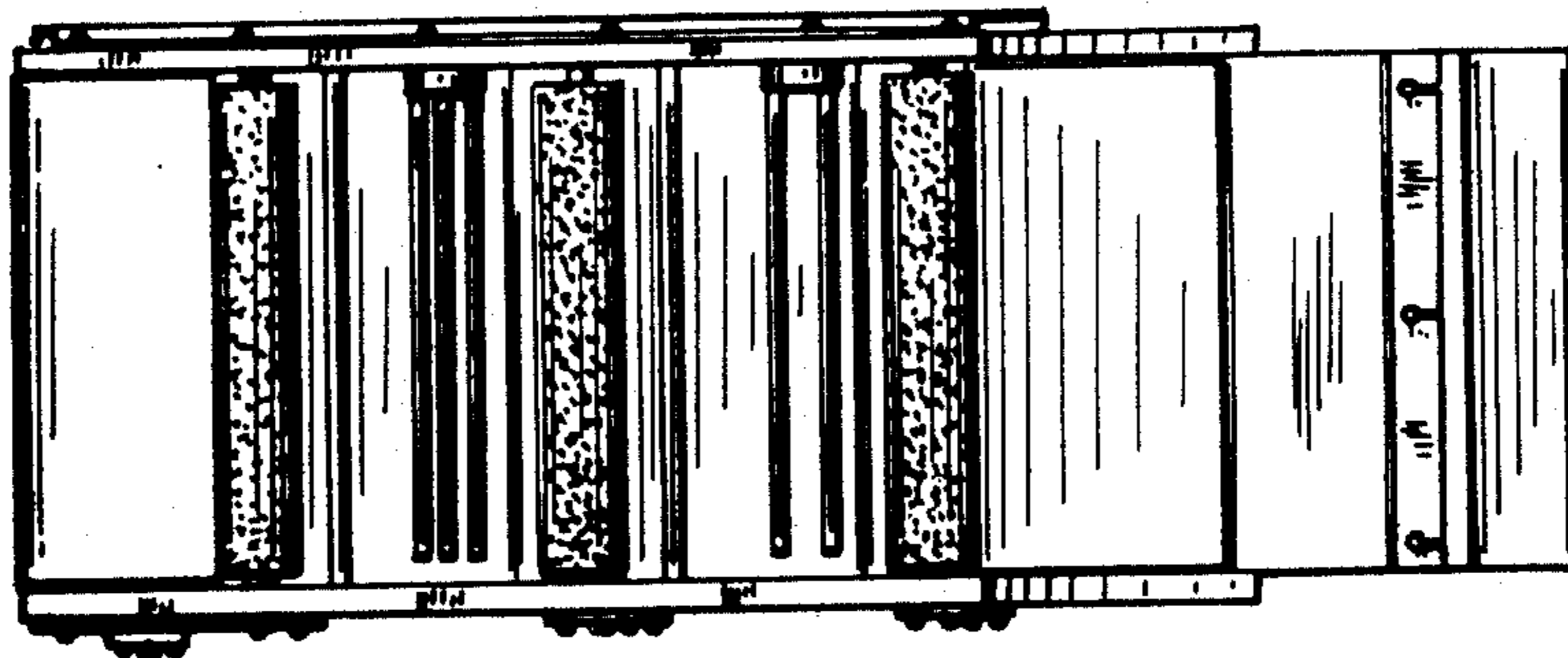


FIG. 2

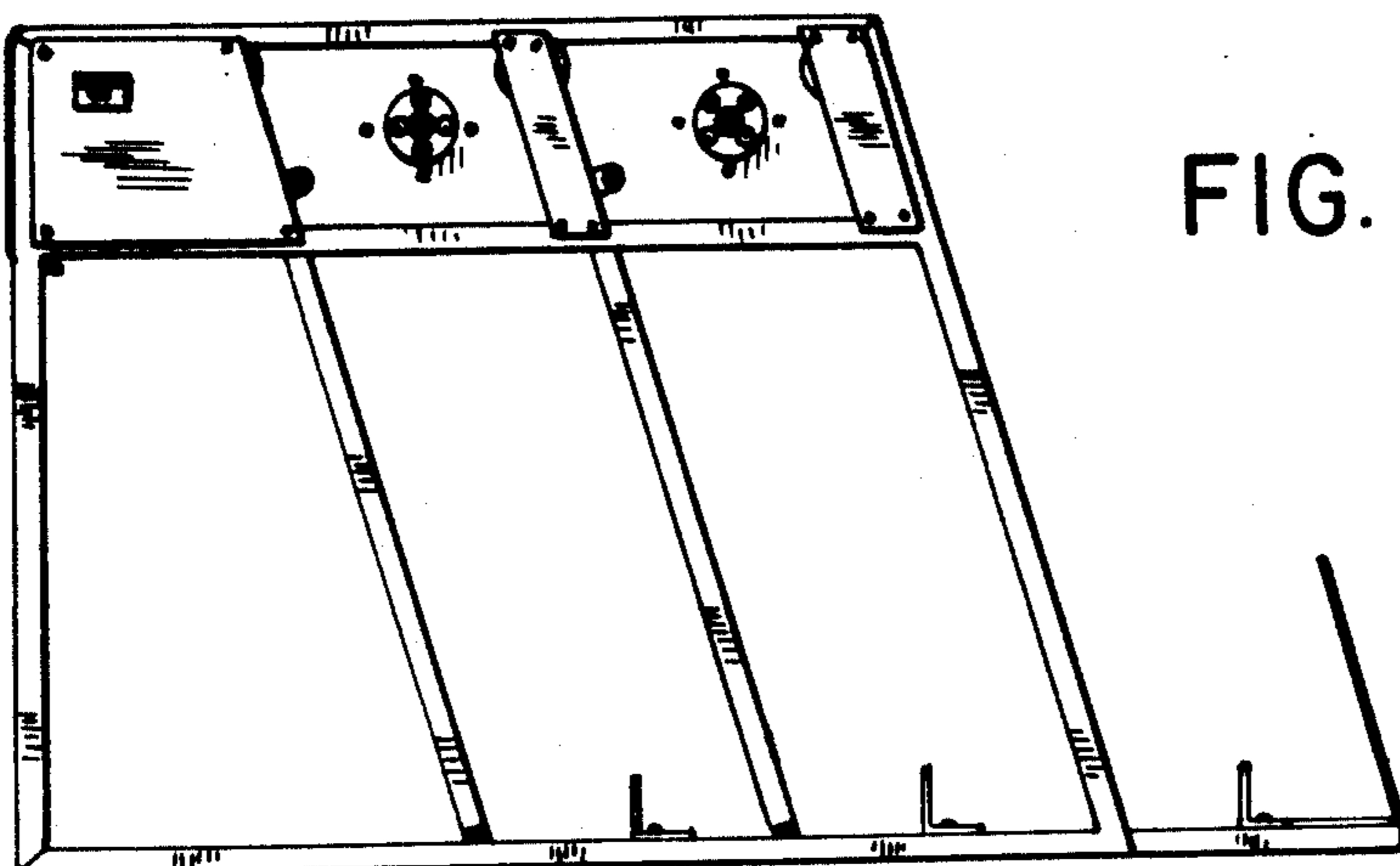


FIG. 3

FIG. 4

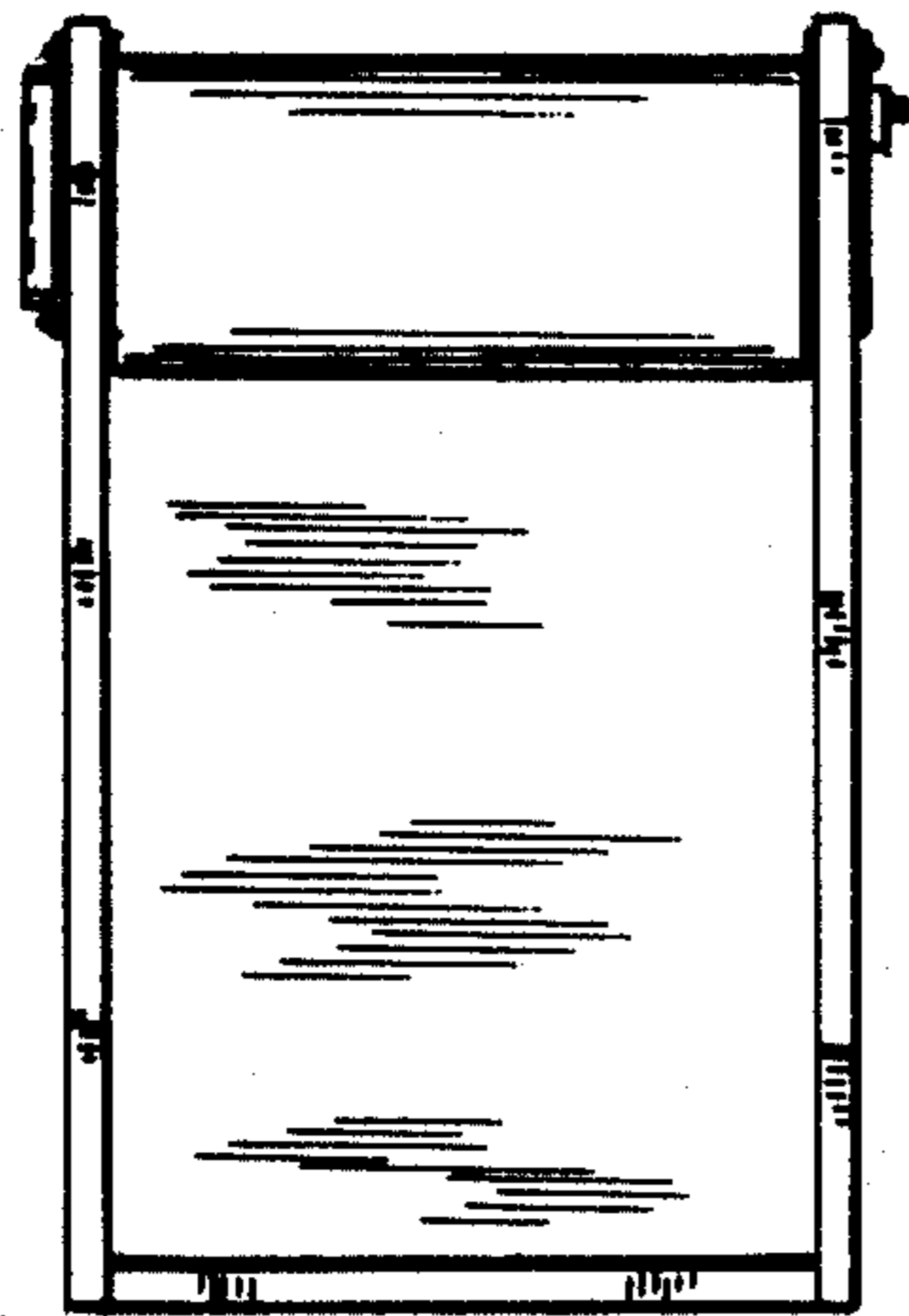
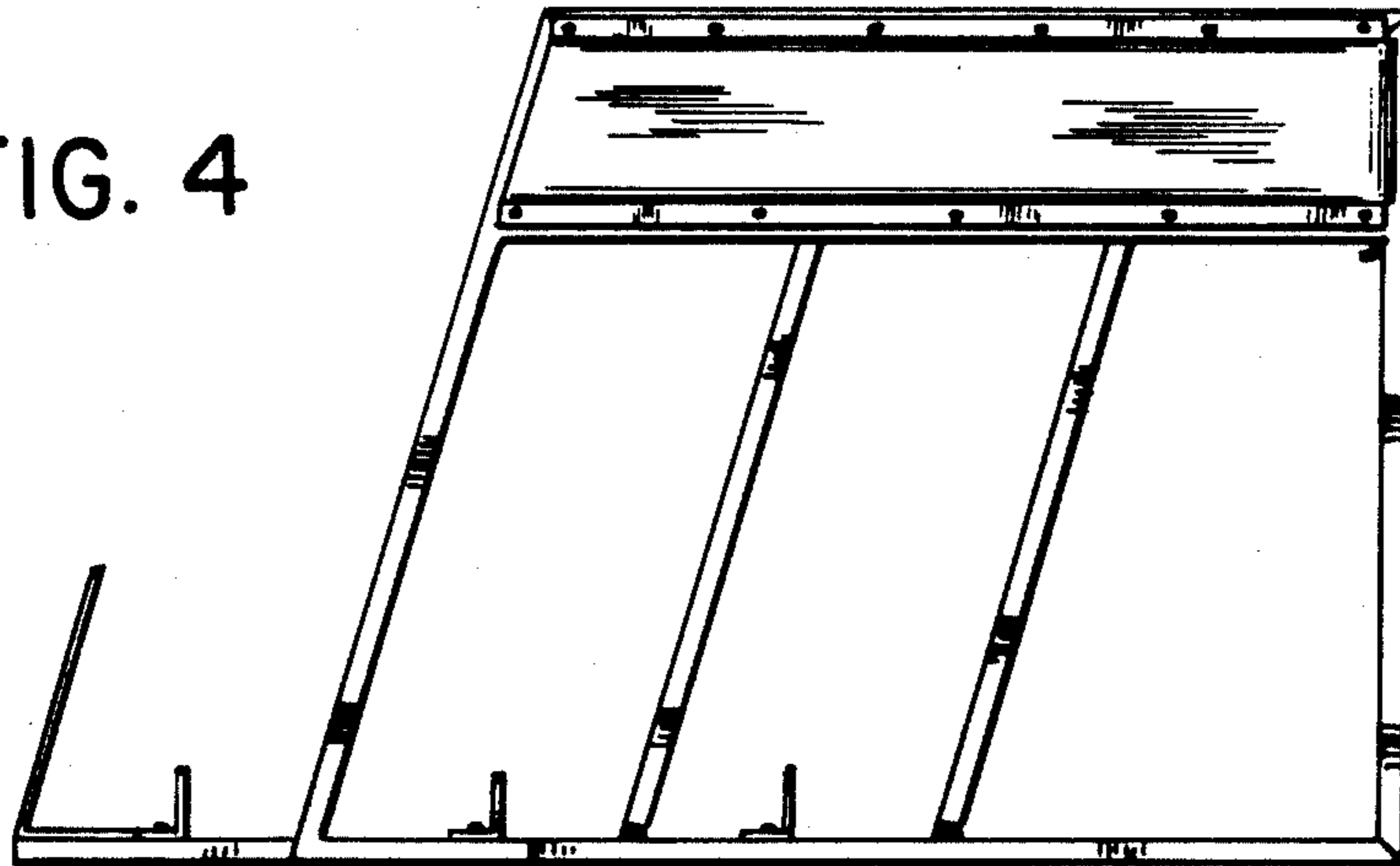


FIG. 5

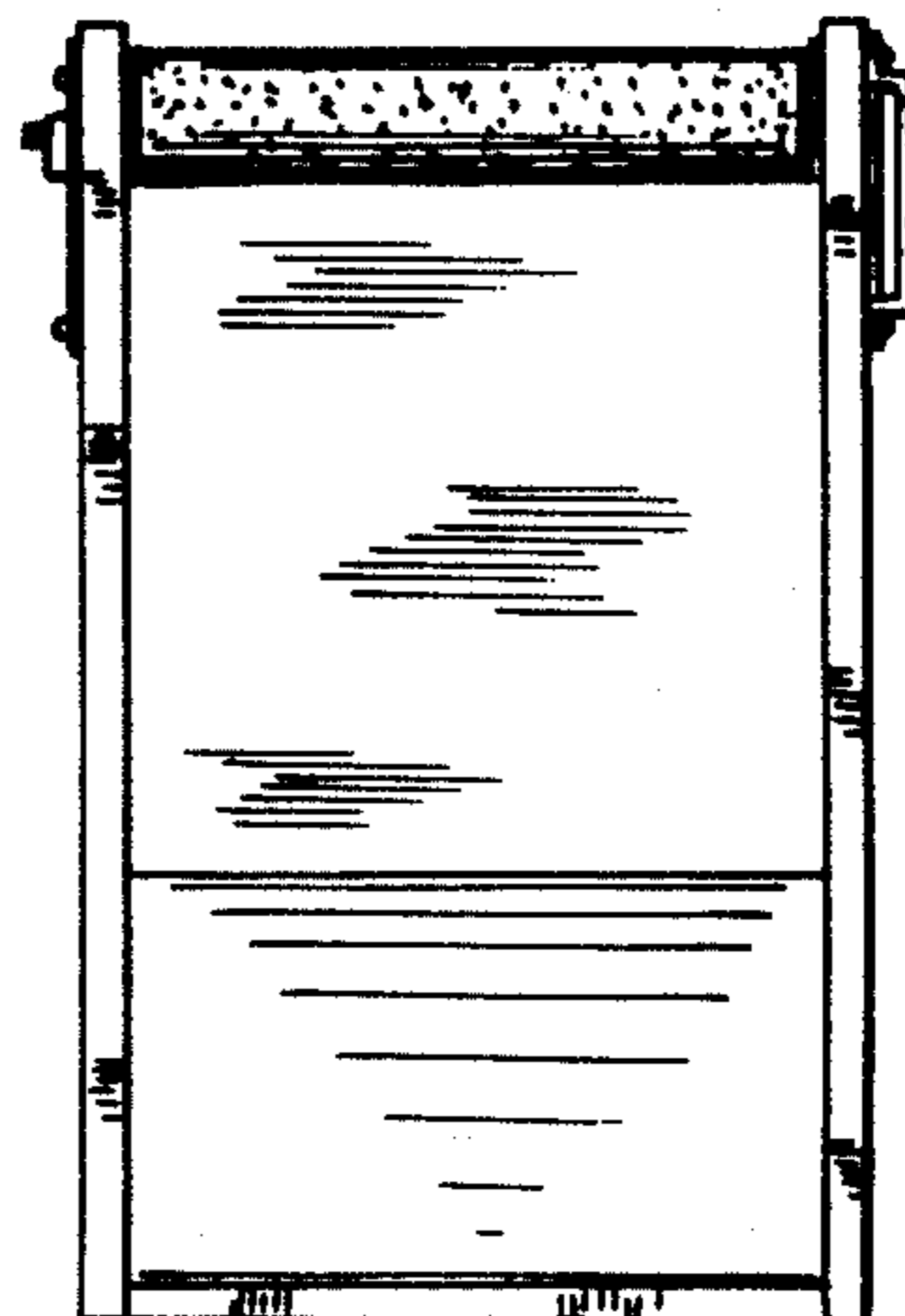


FIG. 6

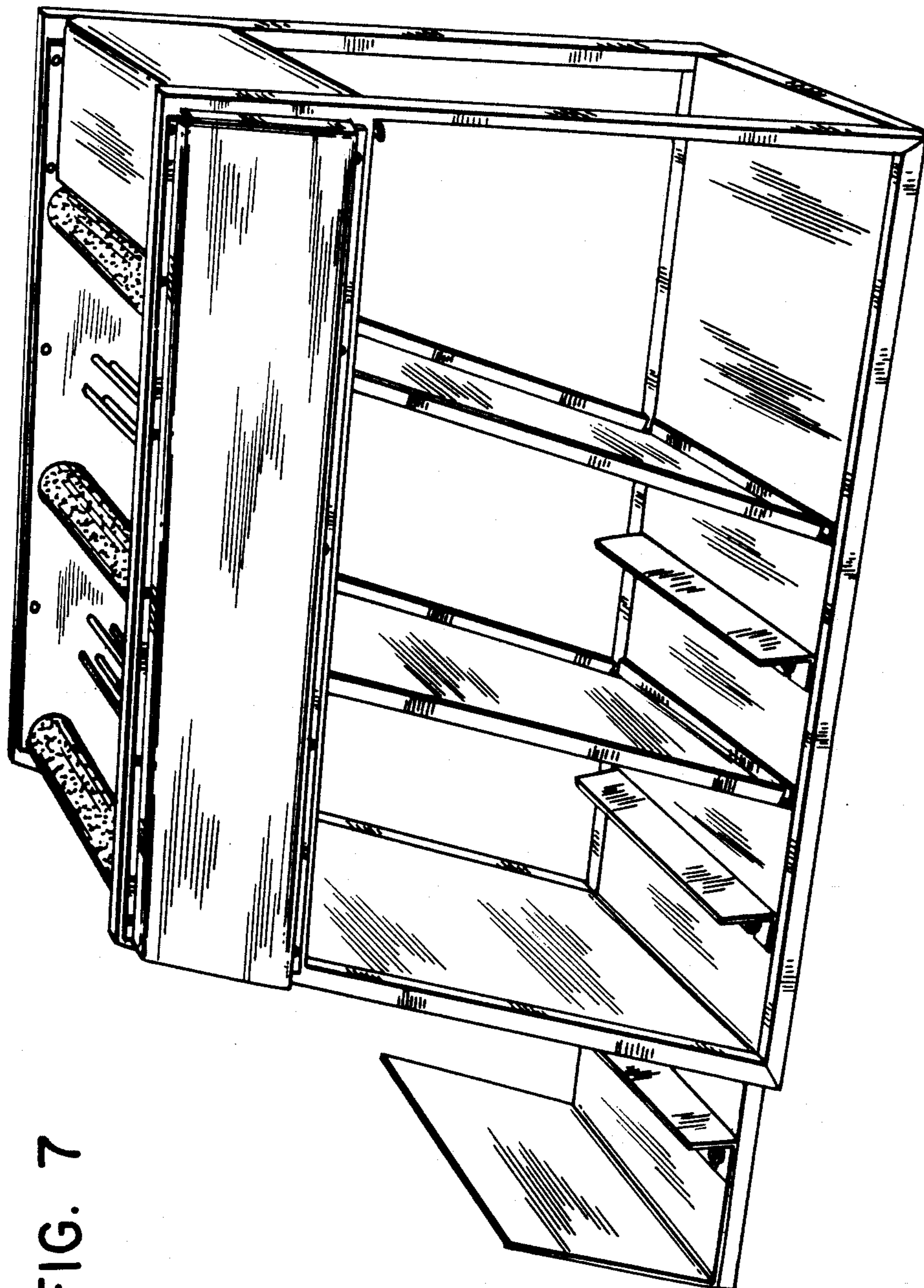


FIG. 7