

[54] SECURITY CONTAINER FOR A CITIZENS BAND RADIO

[76] Inventor: Forrest E. Baker, 1891 Foxworthy Ave., San Jose, Calif. 95124

[**] Term: 14 Years

[21] Appl. No.: 827,823

[22] Filed: Aug. 25, 1977

[51] Int. Cl. D12-16

[52] U.S. Cl. D12/155; D3/40

[58] Field of Search D12/155; D87/1 R; 224/42.42 R, 42.11, 29 R; 296/37.8, 37.1; 312/245, 246, 7 R; 70/57, 58; 248/203

[56] References Cited

U.S. PATENT DOCUMENTS

D. 245,773 9/1977 Davis D12/155
4,058,993 11/1977 Stubbins 248/203

Primary Examiner—James M. Gandy
Attorney, Agent, or Firm—Claude A. S. Hamrick

[57] CLAIM

The ornamental design for a security container for a citizens band radio, substantially as shown.

DESCRIPTION

FIG. 1 is a perspective view of a security container for a citizens band radio showing my new design in open condition;

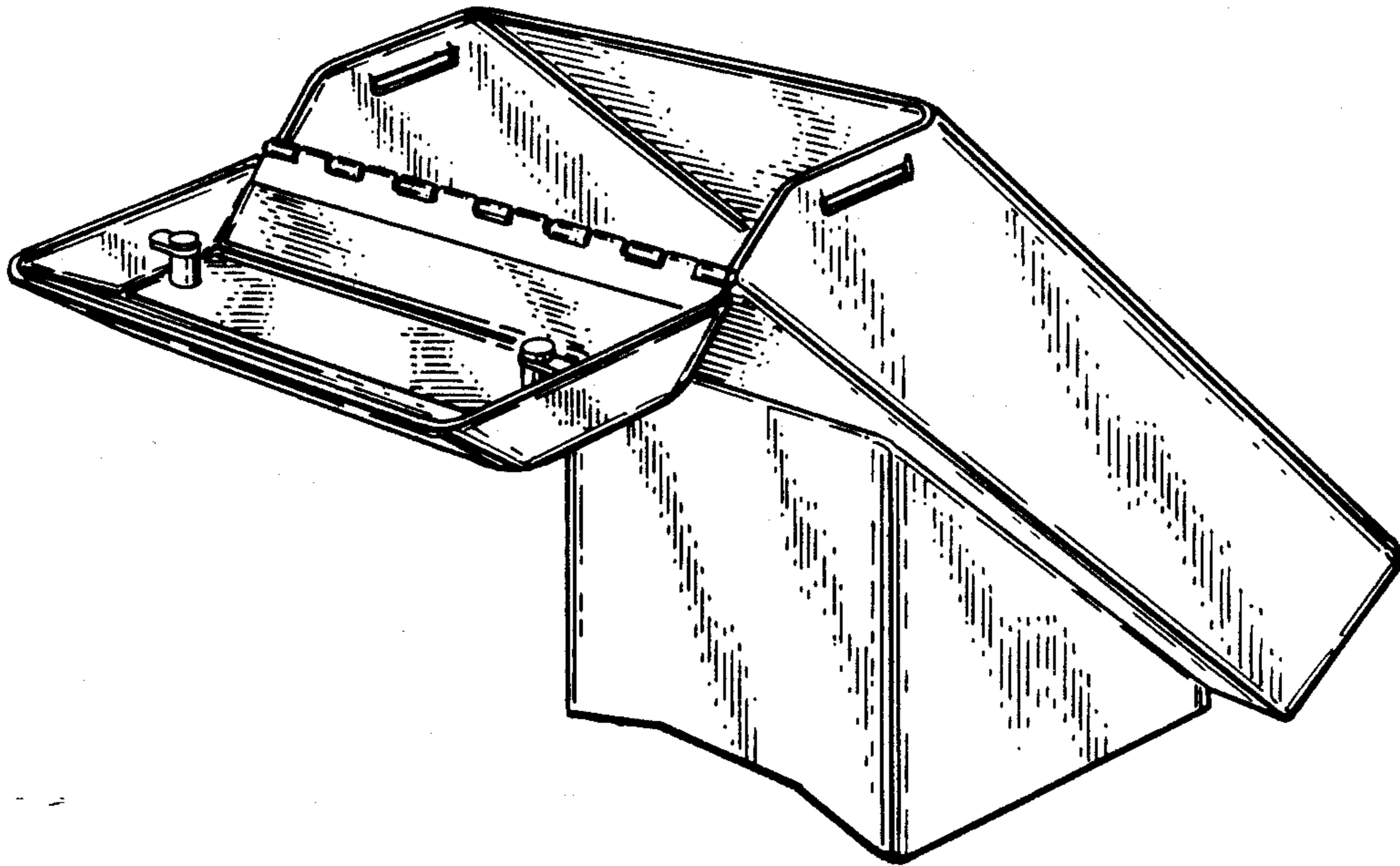
FIG. 2 is a left side elevation view thereof in closed condition and on a reduced scale;

FIG. 3 is a front elevation view of FIG. 2;

FIG. 4 is a rear elevation view of FIG. 2;

FIG. 5 is a top plan view of FIG. 2; and

FIG. 6 is a bottom plan view of FIG. 2.



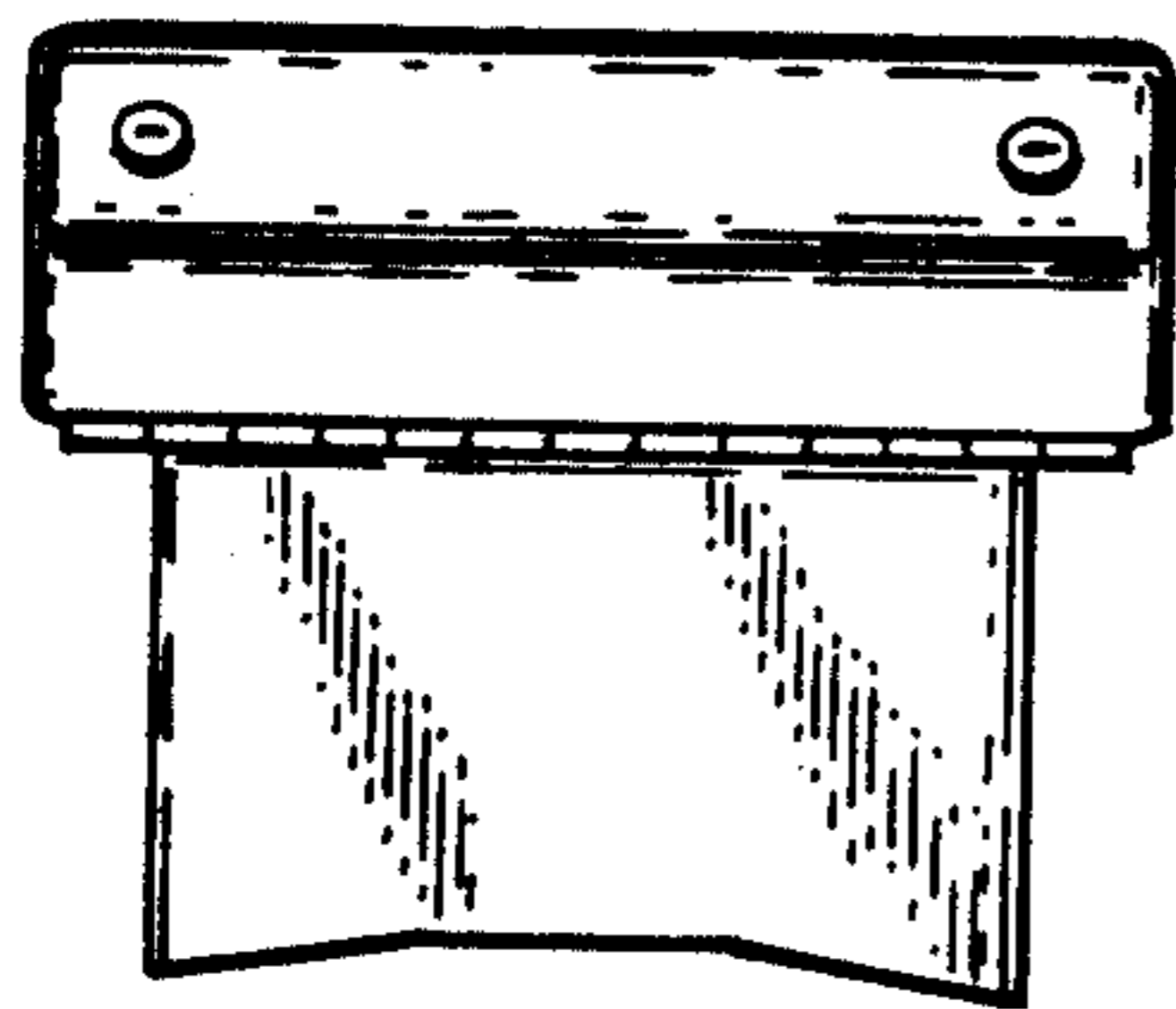
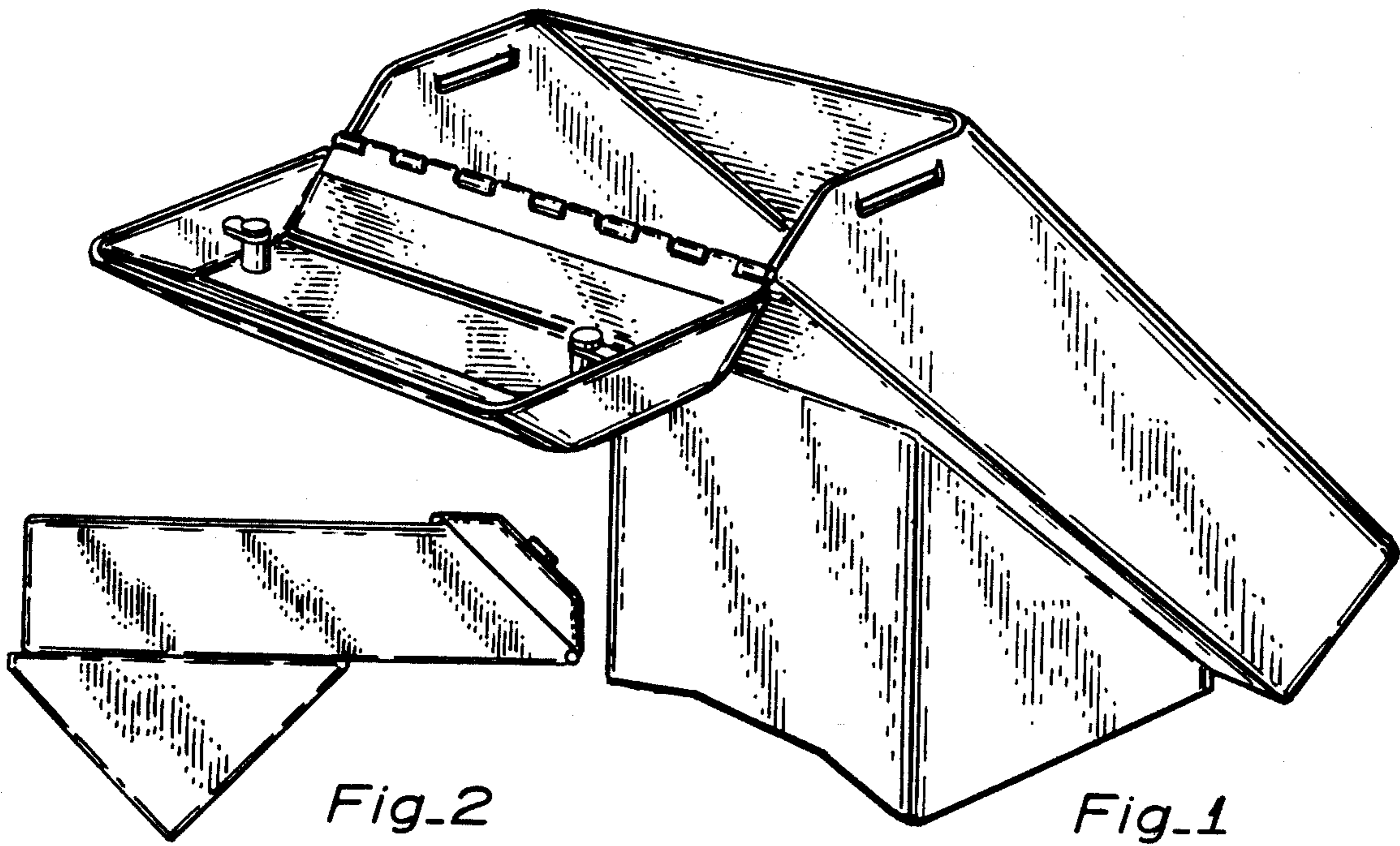


Fig. 3

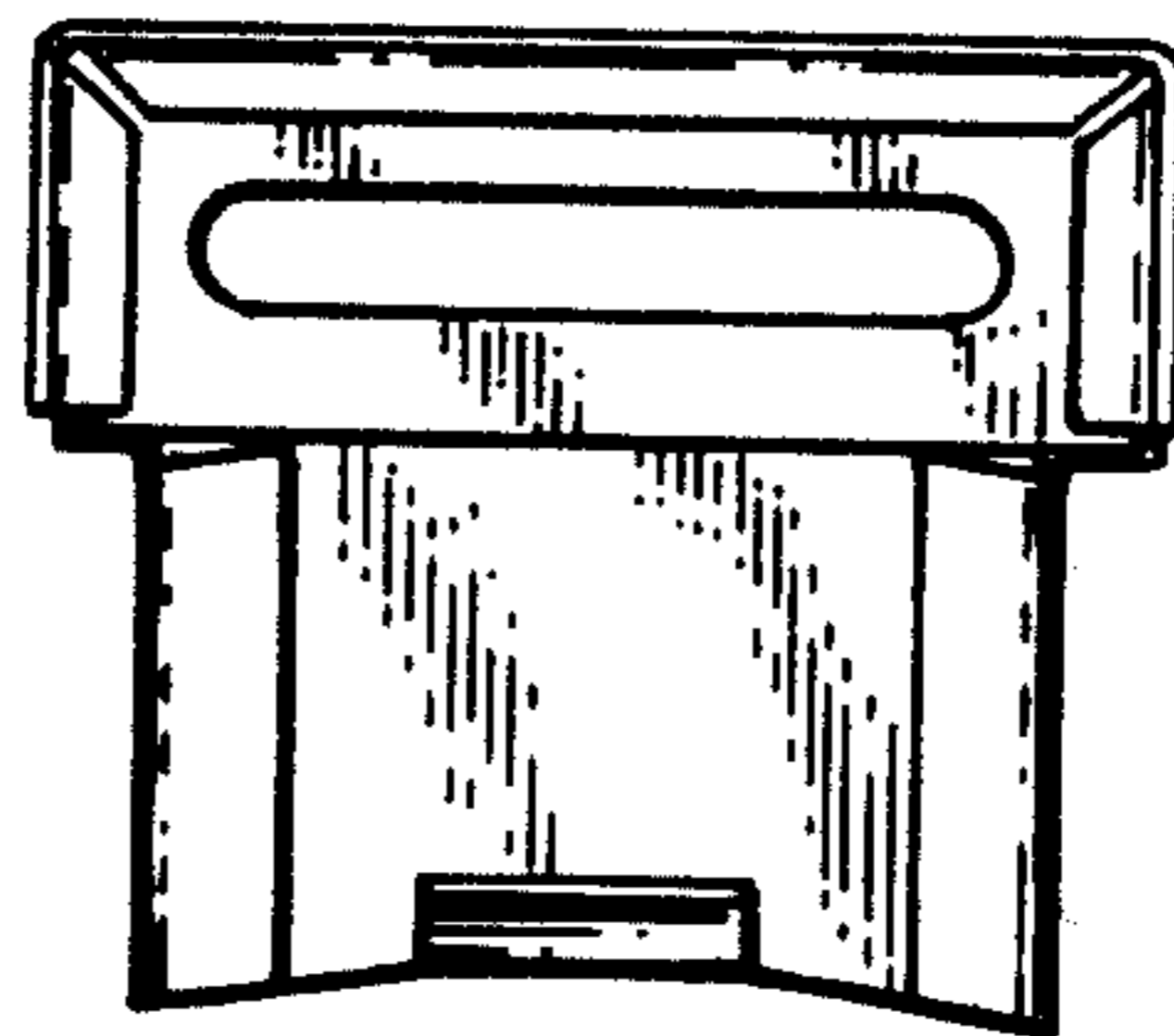


Fig. 4

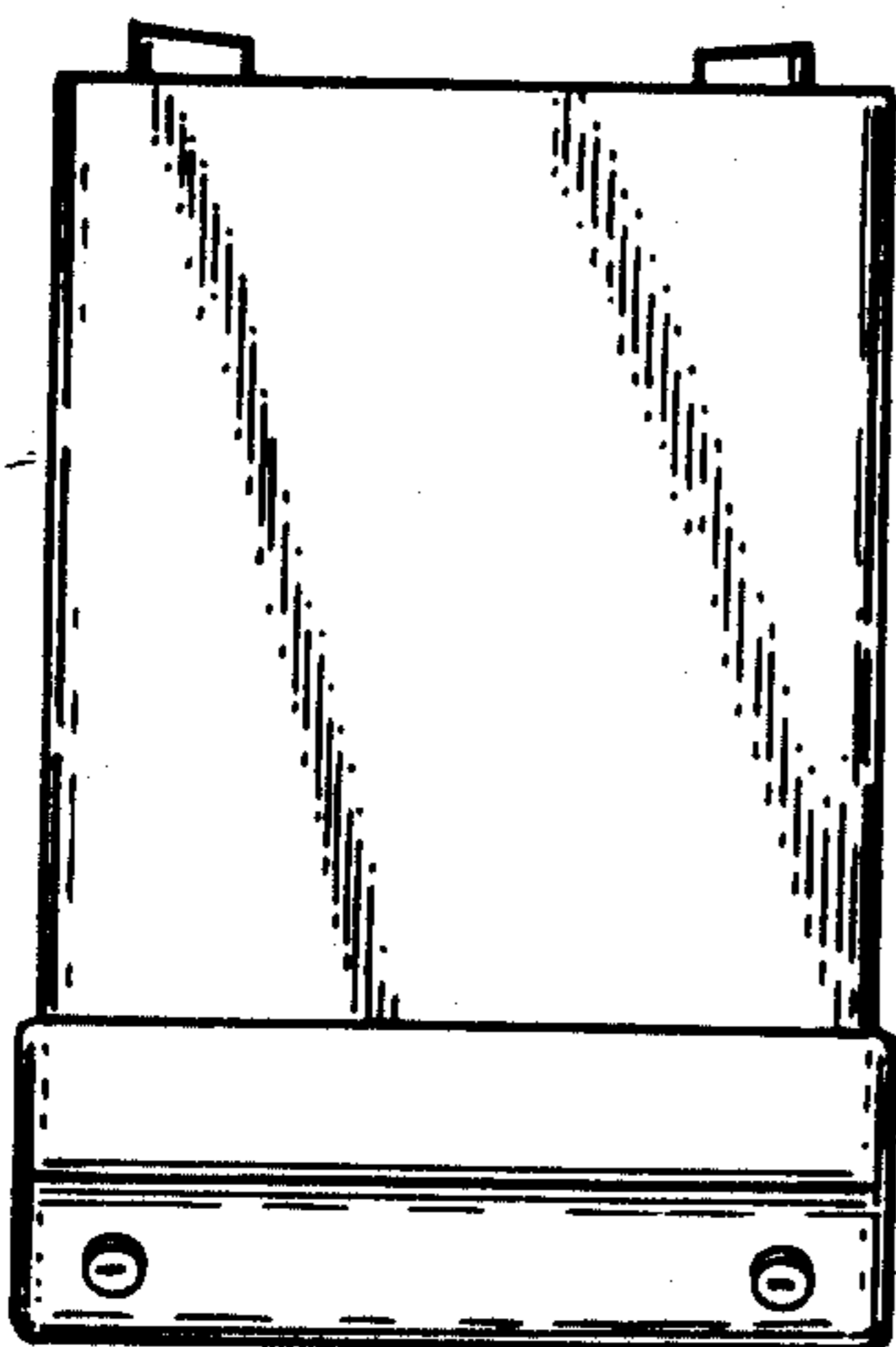


Fig. 5

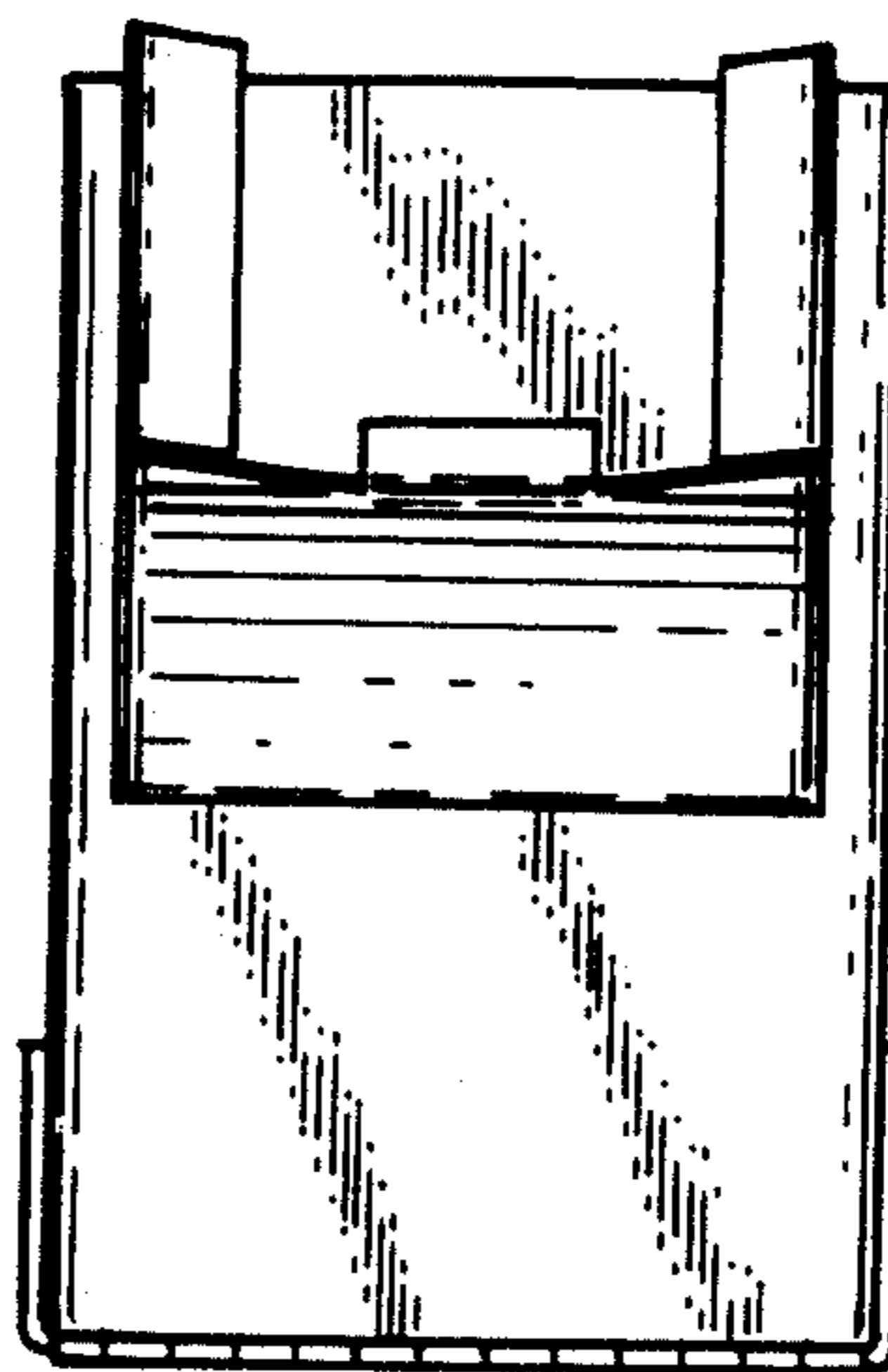


Fig. 6