

[54] HUB ASSEMBLY, PARTICULARLY FOR A CABLE DRUM WHEEL

[76] Inventors: Oswald Westin; Owe Westin; Jan Westin, all of Föreningsgatan 11, S-951 43 Luleå, Sweden

[**] Term: 7 Years

[21] Appl. No.: 800,945

[22] Filed: May 26, 1977

[30] Foreign Application Priority Data
Dec. 2, 1976 [SE] Sweden 762344

[51] Int. Cl. D8-99
[52] U.S. Cl. D8/358

[58] Field of Search 254/150 R, 189, 192, 254/187, 188; 242/117, 54 R; 74/506; D12/53, 60; D8/354, 355, 356, 357, 358, 359, 360

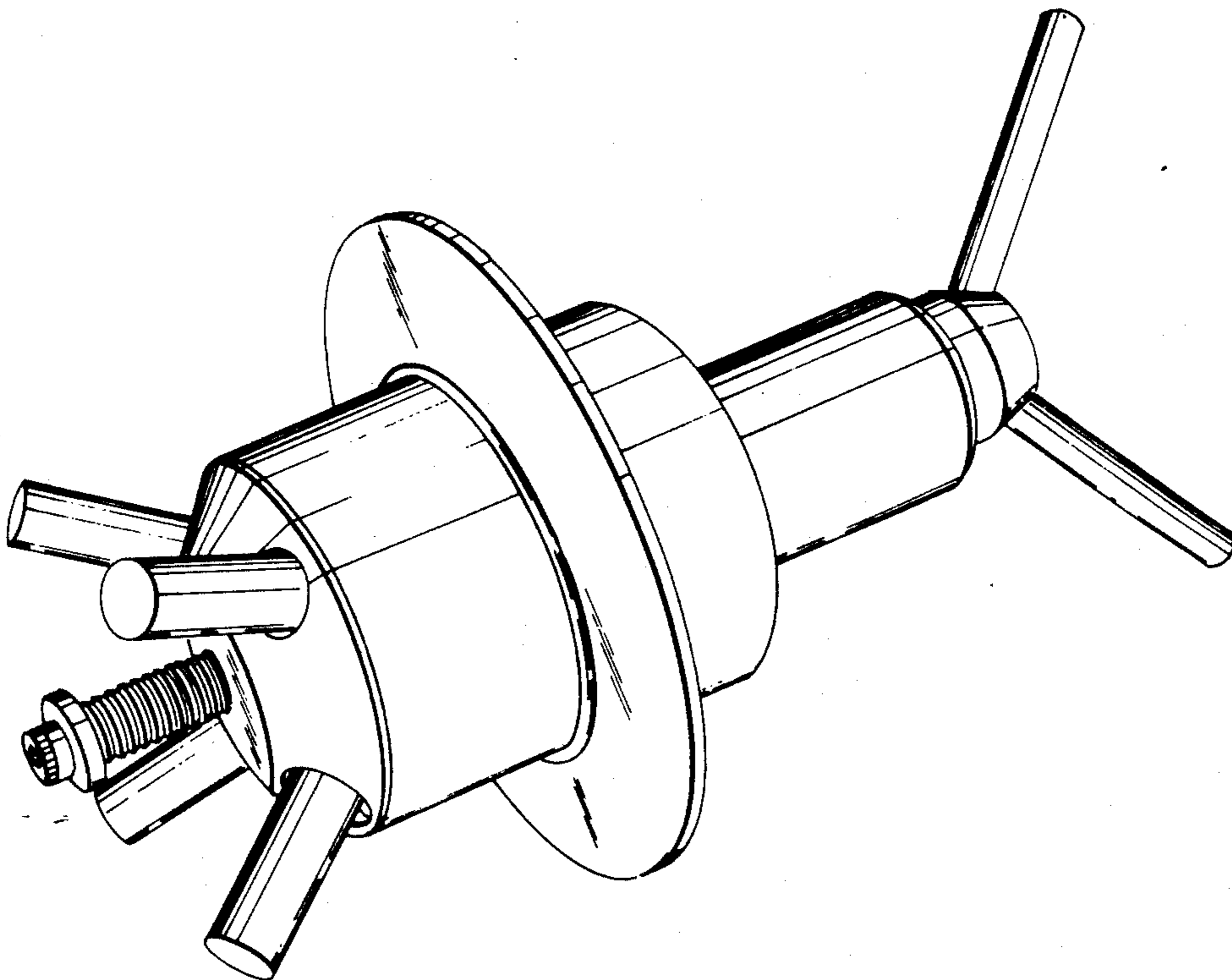
[56] References Cited
U.S. PATENT DOCUMENTS

D. 210,612	3/1968	Moseley	D8/358
3,265,361	9/1966	Mayrath	242/117 X
3,534,920	10/1970	McGrath et al.	242/117
3,837,590	9/1974	Pollak	242/117 X

Primary Examiner—A. Hugo Word
Attorney, Agent, or Firm—Nelson Littell

[57] CLAIM
The ornamental design for a hub assembly, particularly for a cable drum wheel, as shown and described.

DESCRIPTION
The FIGURE is a perspective view of the hub assembly, particularly for a cable drum wheel.



U.S. Patent

Jul. 3, 1979

Des. 252,254

