

[54] HAND-HELD VACUUM CLEANER

[75] Inventor: Marvin Cooper, New Rochelle, N.Y.

[73] Assignee: Dynamic Classics, Ltd., New York, N.Y.

[**] Term: 14 Years

[21] Appl. No.: 856,198

[22] Filed: Nov. 30, 1977

[51] Int. Cl. D7-05; D15-05

[52] U.S. Cl. D7/164; D15/55

[58] Field of Search D7/161, 164; D15/55; 15/300 R, 319, 323, 324, 325, 326, 327 R, 327 D, 327 E, 344, 347, 354, 363, 415, 416, 417, 418, 419, 420, 421, 422

[56] References Cited

U.S. PATENT DOCUMENTS

- D. 201,668 7/1965 van der Put D15/55
- D. 219,752 1/1971 Gantz et al. D7/164

3,267,510 8/1966 Cote 15/344

Primary Examiner—Wallace R. Burke
Assistant Examiner—Catherine Kemper
Attorney, Agent, or Firm—Morton Amster

[57] CLAIM

The ornamental design for a hand-held vacuum cleaner, substantially as shown and described.

DESCRIPTION

FIG. 1 is a side elevational view of a hand-held vacuum cleaner showing my new design the opposite side being a mirror image thereof;

FIG. 2 is a top plan view thereof;

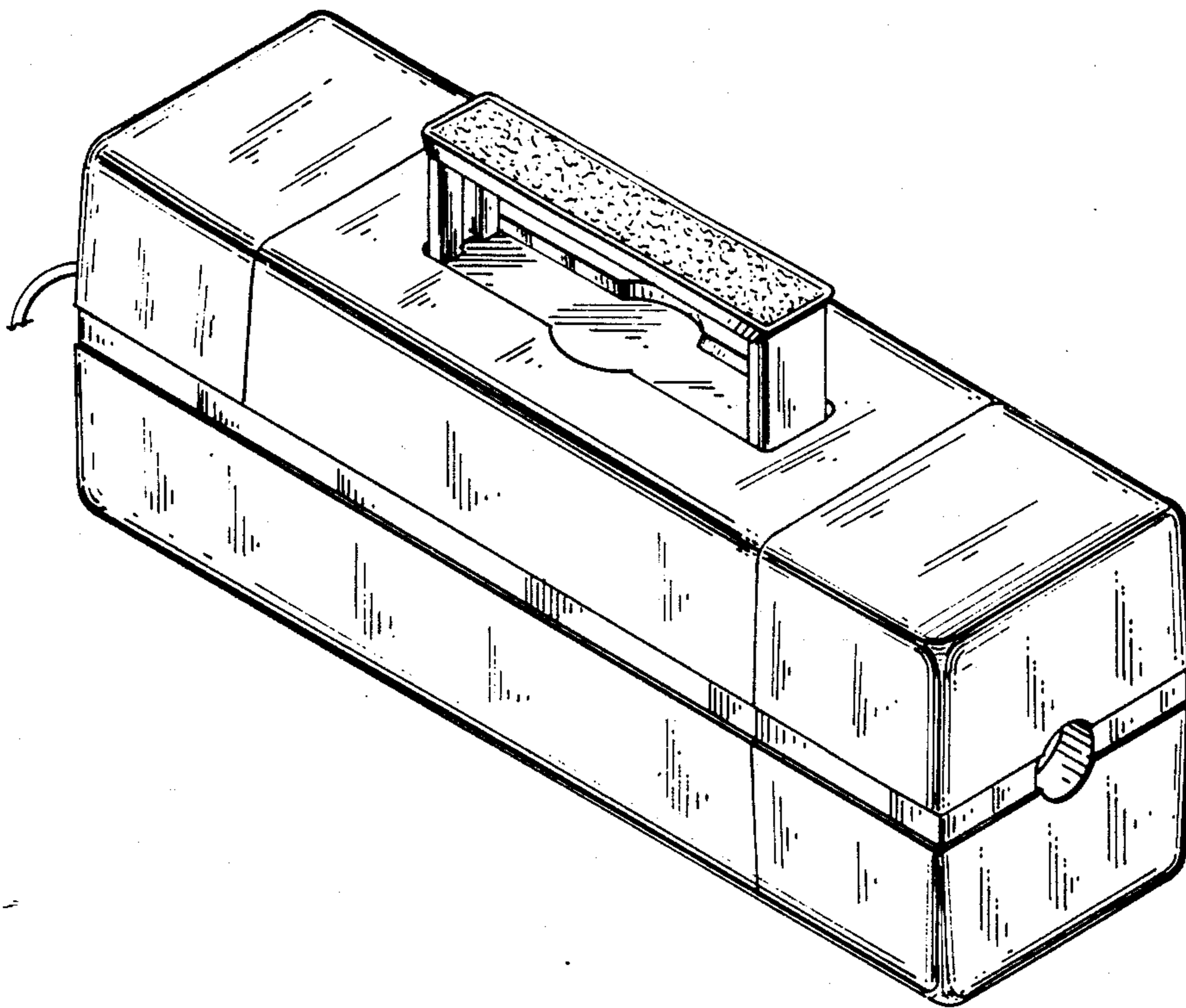
FIG. 3 is a bottom plan view thereof;

FIG. 4 is a front elevational view thereof;

FIG. 5 is a rear elevational view thereof; and

FIG. 6 is a perspective view showing the carrying handle in raised position.

The conventional electrical cord has been shown fragmentarily in FIGS. 1, 2, 3, 5 and 6 for convenience of illustration.



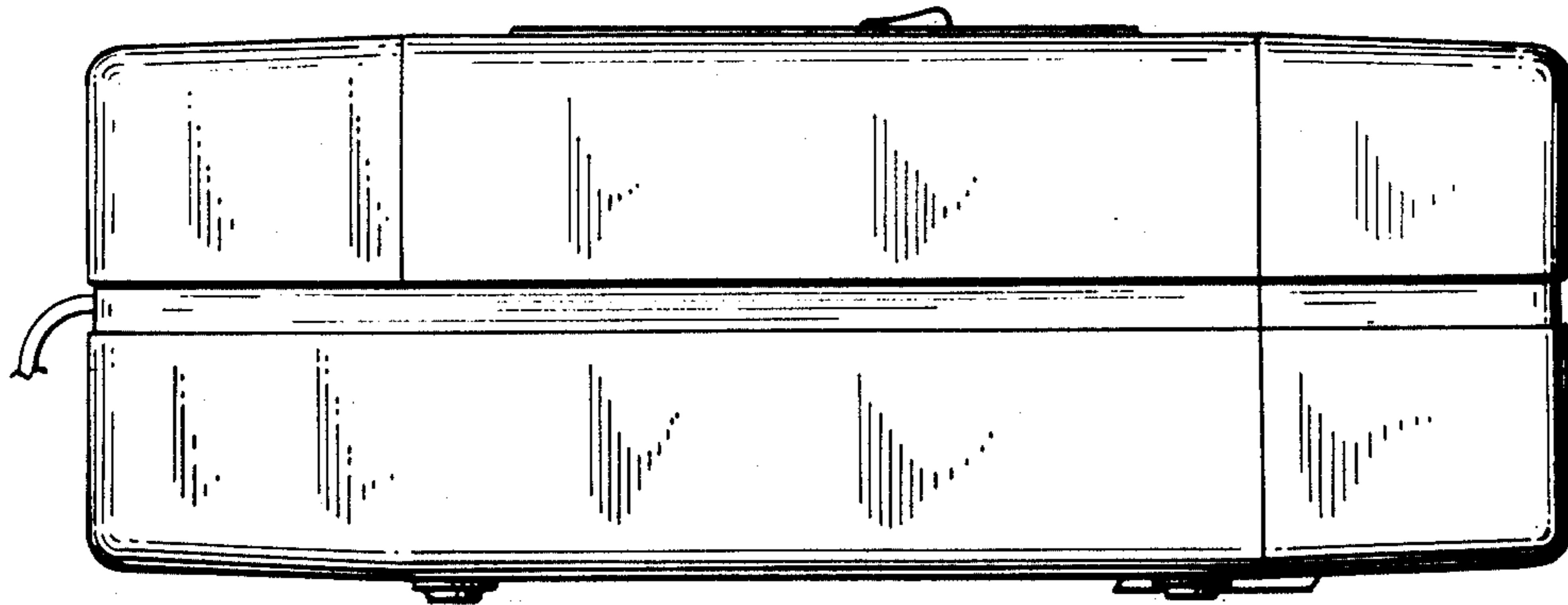


FIG. 1

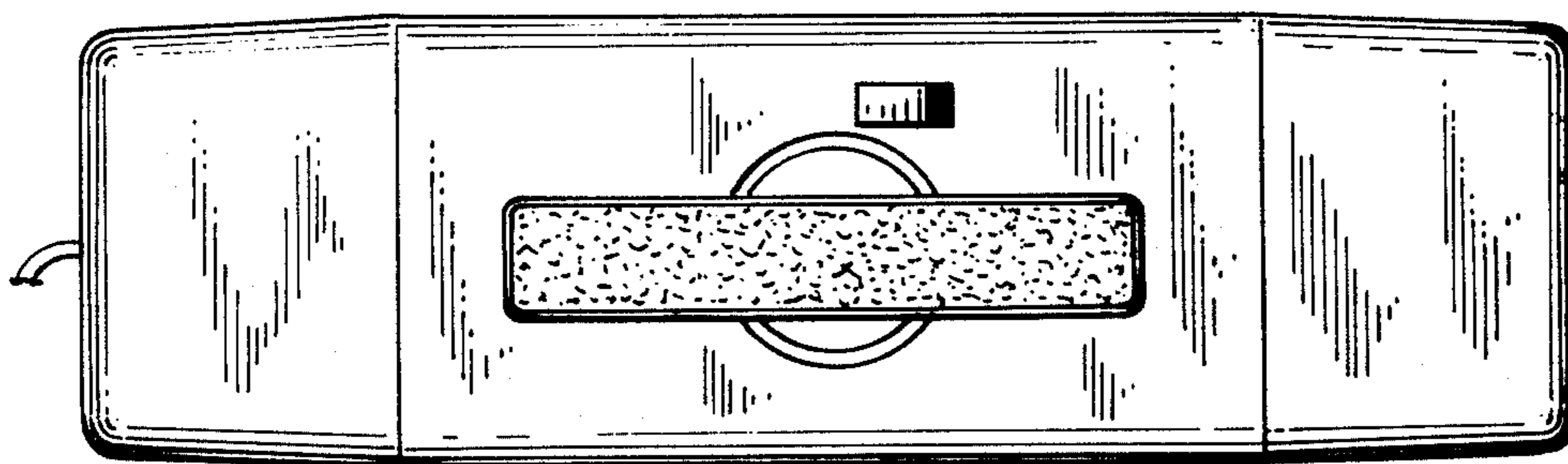


FIG. 2

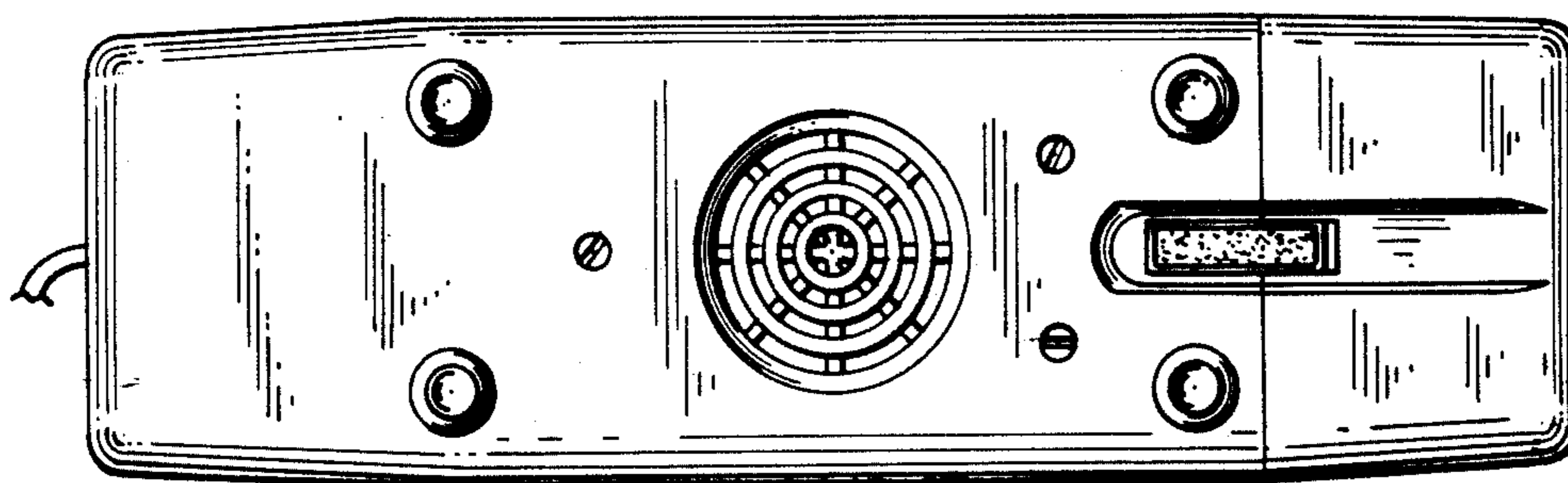


FIG. 3

FIG. 4

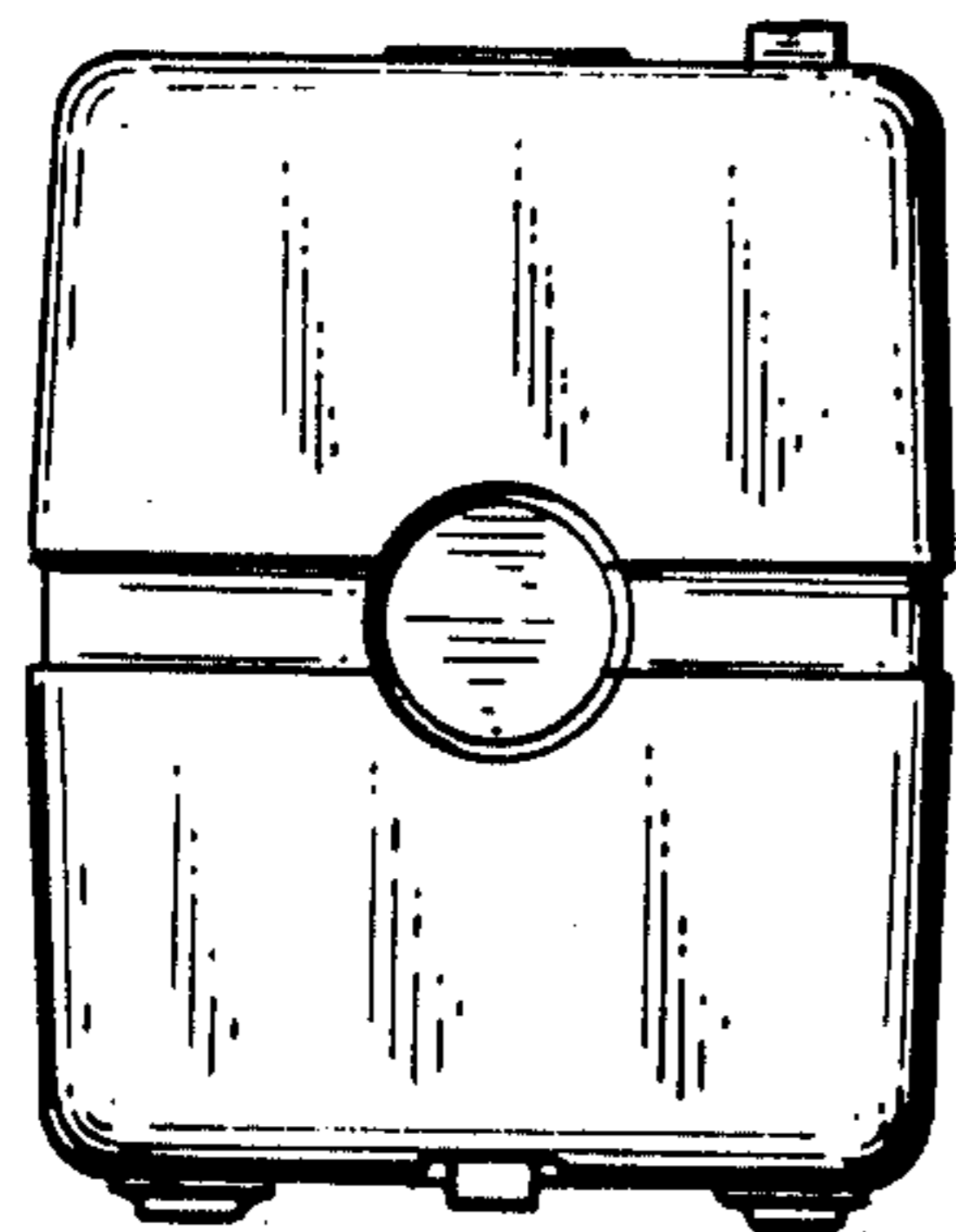


FIG. 5

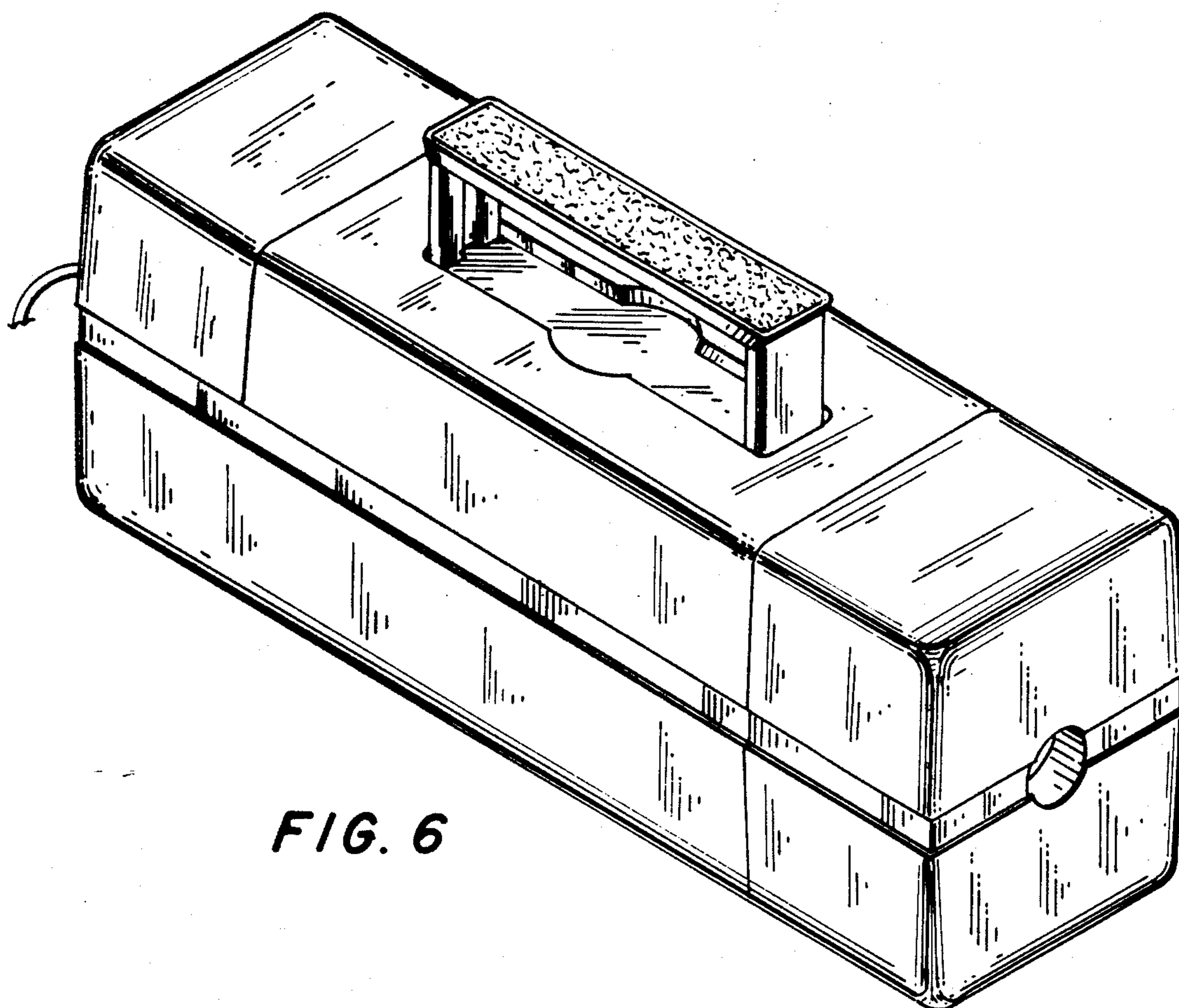
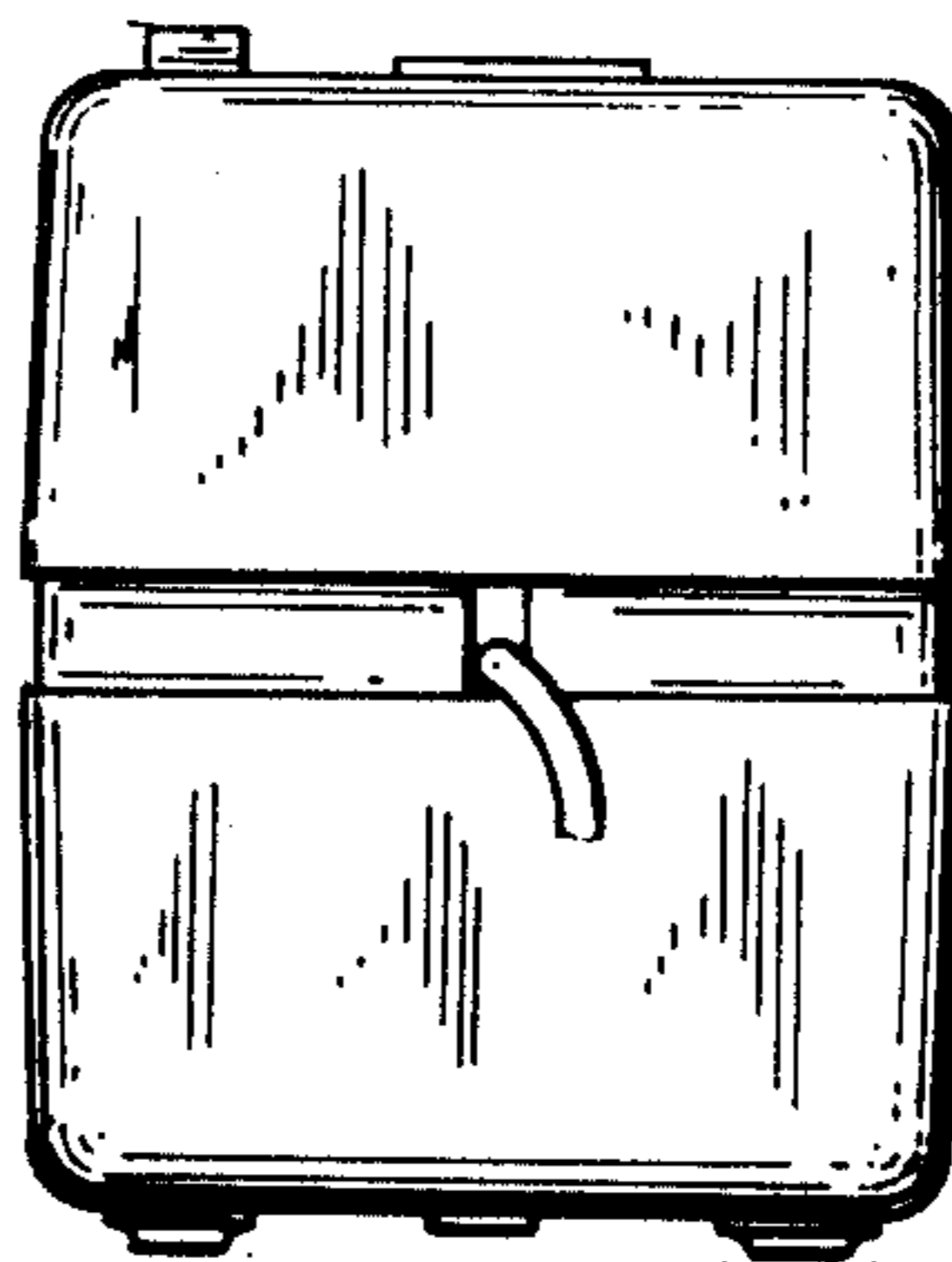


FIG. 6