

[54] MIRROR CLIP

[76] Inventor: Robert J. Christian, 3500 Hillcrest Dr., Waco, Tex. 76708

[**] Term: 14 Years

[21] Appl. No.: 848,664

[22] Filed: Nov. 4, 1977

[51] Int. Cl. D6-07

[52] U.S. Cl. D6/246; D8/395

[58] Field of Search D6/246; 40/152, 152.1, 40/152.2, 154; D28/72; D8/323, 325, 329, 394, 395, 383; 248/466, 468; D9/254

[56] References Cited

U.S. PATENT DOCUMENTS

D. 19,719	3/1890	Lee	D8/395
D. 33,557	11/1900	Lyman	D8/395
2,951,668	9/1960	Peterka	248/466

OTHER PUBLICATIONS

Engineering Design Manual, 2-1970, p. 5, "Standard Insert".

Primary Examiner—Joel Stearman

Assistant Examiner—Charles A. Rademaker

Attorney, Agent, or Firm—William E. Schuyler, Jr.

[57] CLAIM

The ornamental design for a mirror clip, as shown and described.

DESCRIPTION

FIG. 1 is a perspective view of a mirror clip showing my new design;

FIG. 2 is a left side elevational view thereof;

FIG. 3 is a front elevational view thereof;

FIG. 4 is a rear elevational view thereof;

FIG. 5 is a top plan view thereof; and,

FIG. 6 is a bottom plan view thereof.

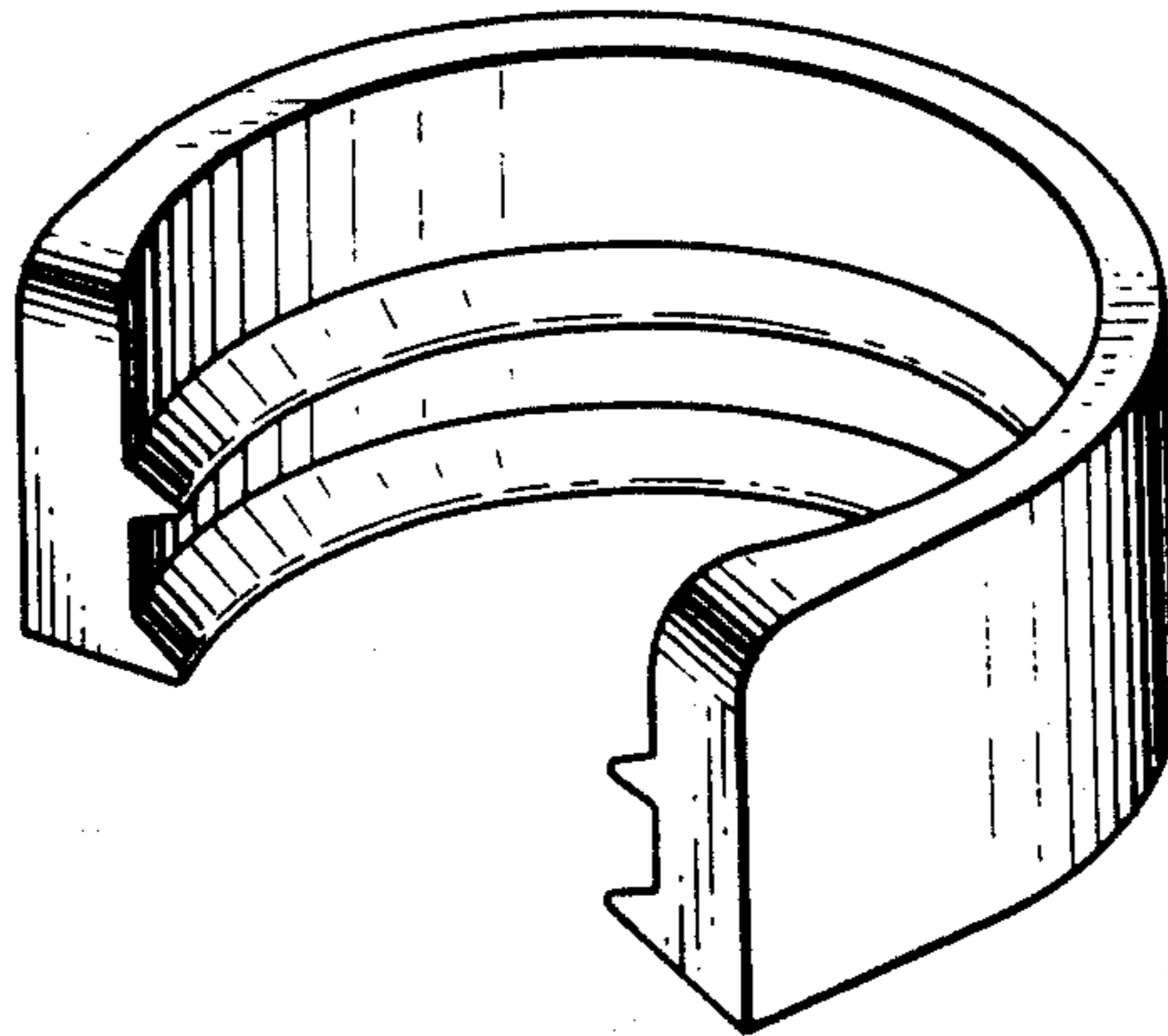


FIG. 1.

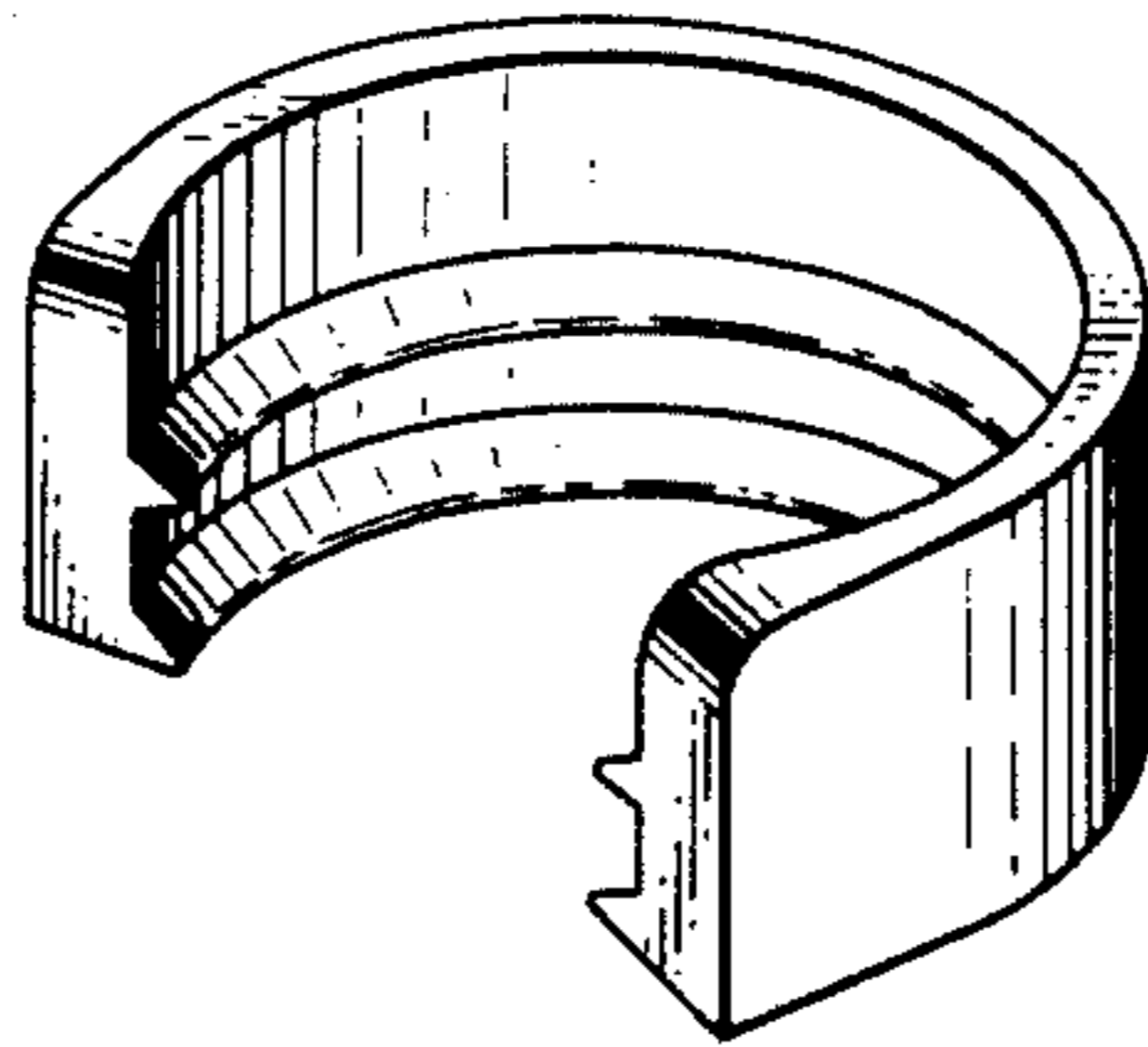


FIG. 2.

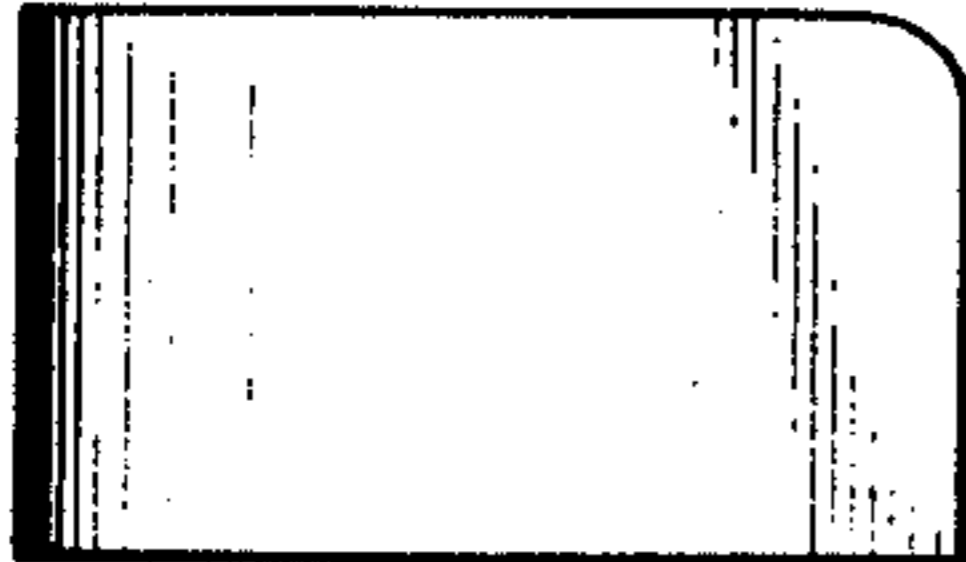


FIG. 3.

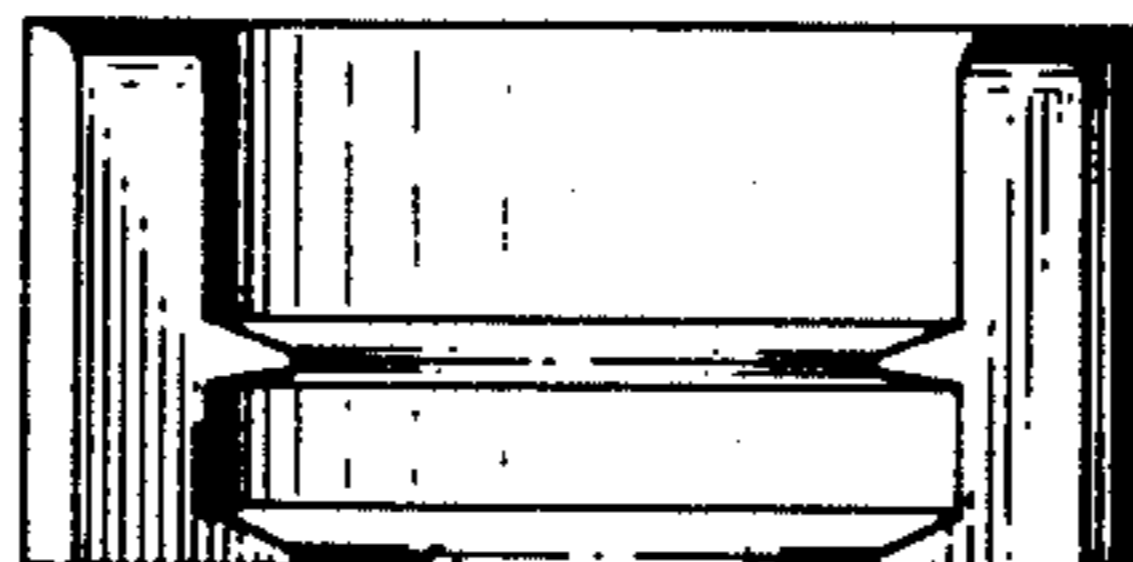


FIG. 4.

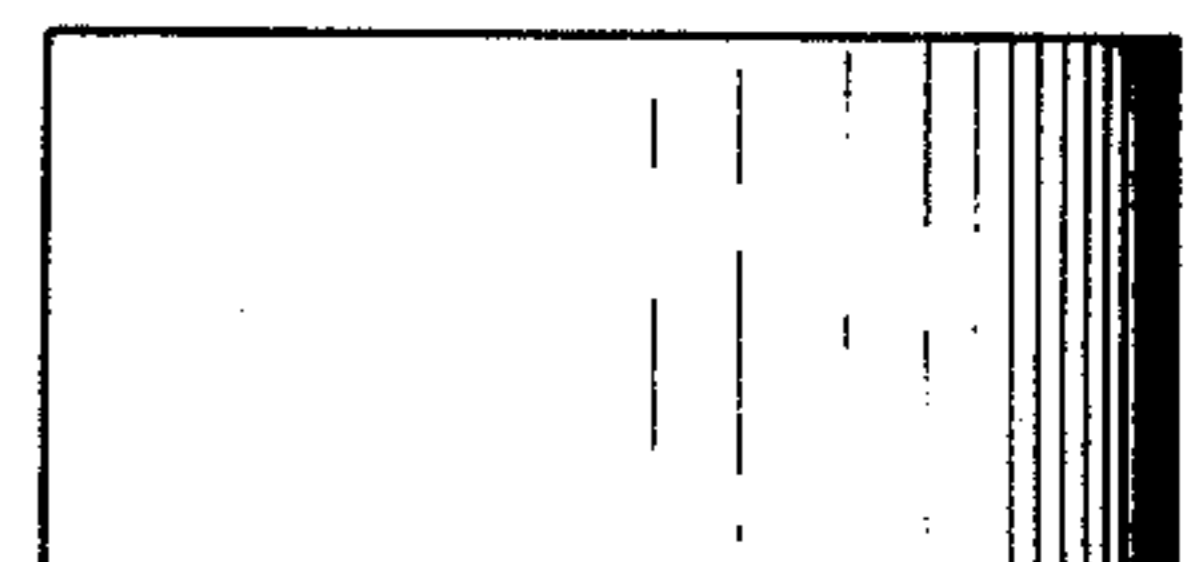


FIG. 5.

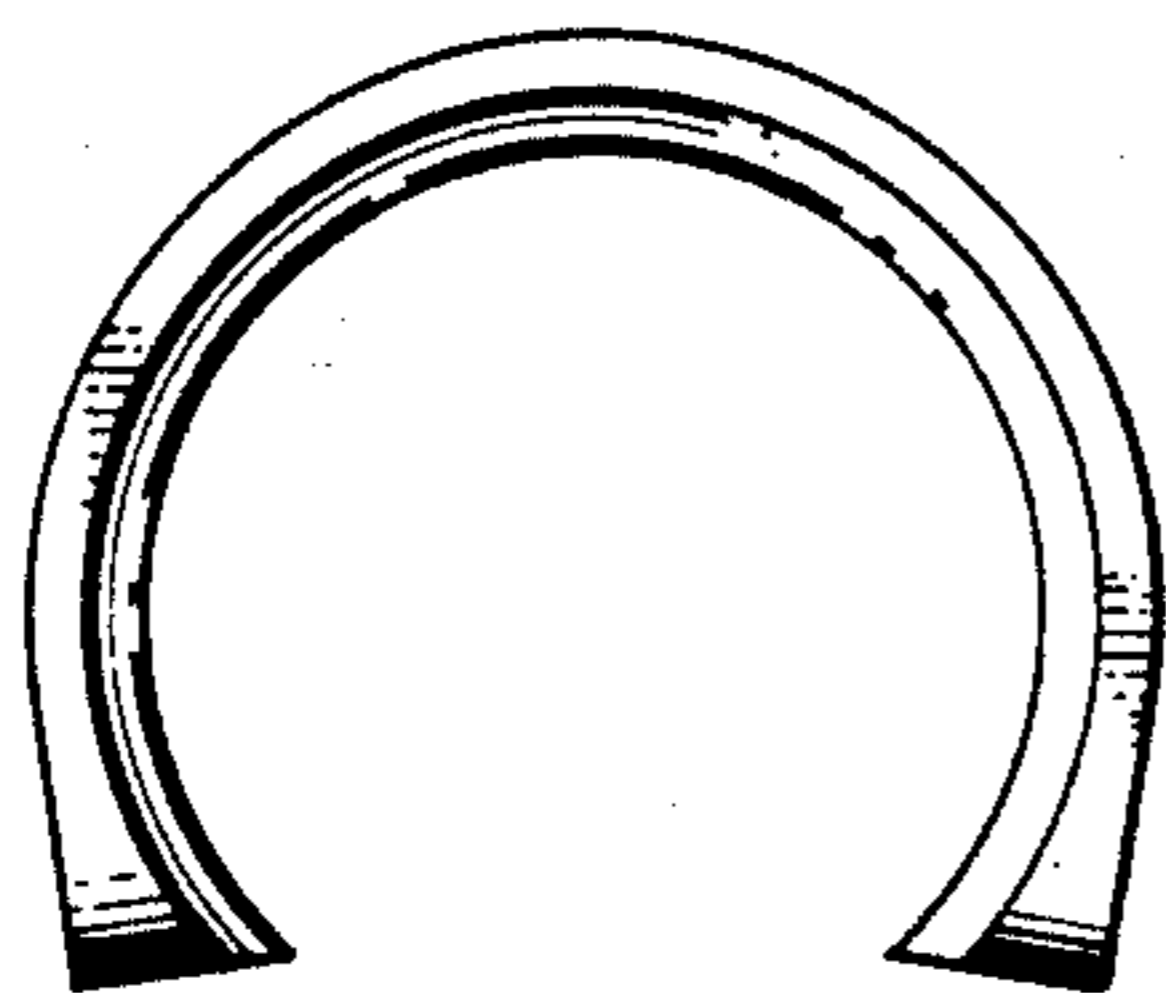


FIG. 6.

