

[54] TABLE OR THE LIKE

[76] Inventor: Scott T. Nicolson, 5286 NE. 72nd Ave., Portland, Oreg. 97218

[**] Term: 14 Years

[21] Appl. No.: 805,088

[22] Filed: Jun. 9, 1977

[51] Int. Cl. D6-03
[52] U.S. Cl. D6/147; D6/179
[58] Field of Search D6/146, 149, 175, 177-179, D6/147

[56] References Cited
U.S. PATENT DOCUMENTS

D. 139,764 12/1944 Raucher D6/175
D. 192,964 6/1962 Intorcio D6/154
D. 245,463 8/1977 Smedley D6/153 X

OTHER PUBLICATIONS

Furniture South Catalog, Apr. 1973, P. 5, Cabinet upper left by Laun.

Primary Examiner—Bruce W. Dunkins
Attorney, Agent, or Firm—Kenneth S. Klarquist

[57] CLAIM

The ornamental design for an end table or the like, as shown and described.

DESCRIPTION

FIG. 1 is a perspective view of the end table of my invention as viewed from the front and left end; FIG. 2 is a top view of the end table of FIG. 1; FIG. 3 is a right end elevation of the end table of FIG. 1; FIG. 4 is a left end elevation of the end table of FIG. 1; FIG. 5 is a front elevation view of the end table of FIG. 1; FIG. 6 is a back elevation view of the end table of FIG. 1; and FIG. 7 is a bottom view of the end table of FIG. 1.

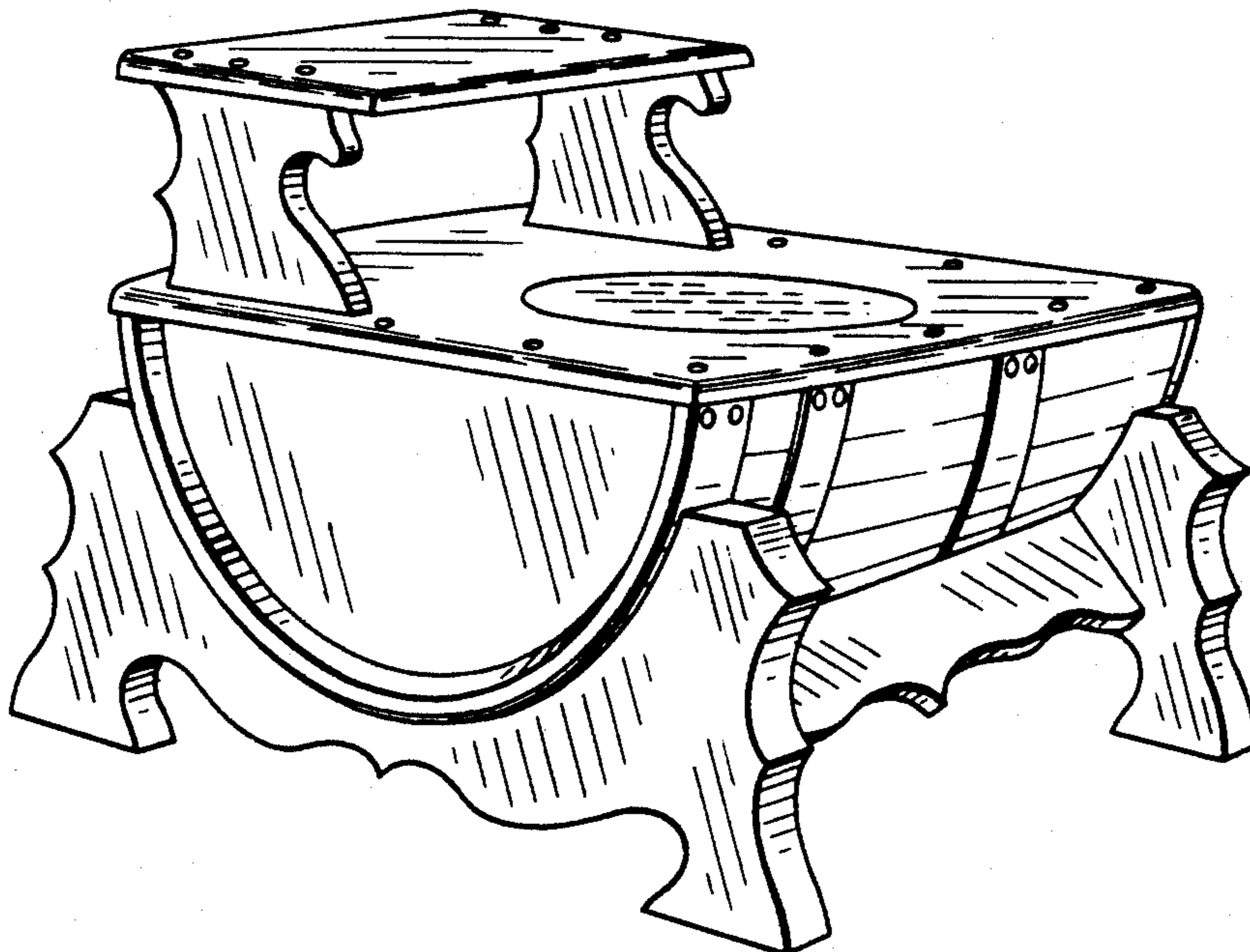


FIG. 1

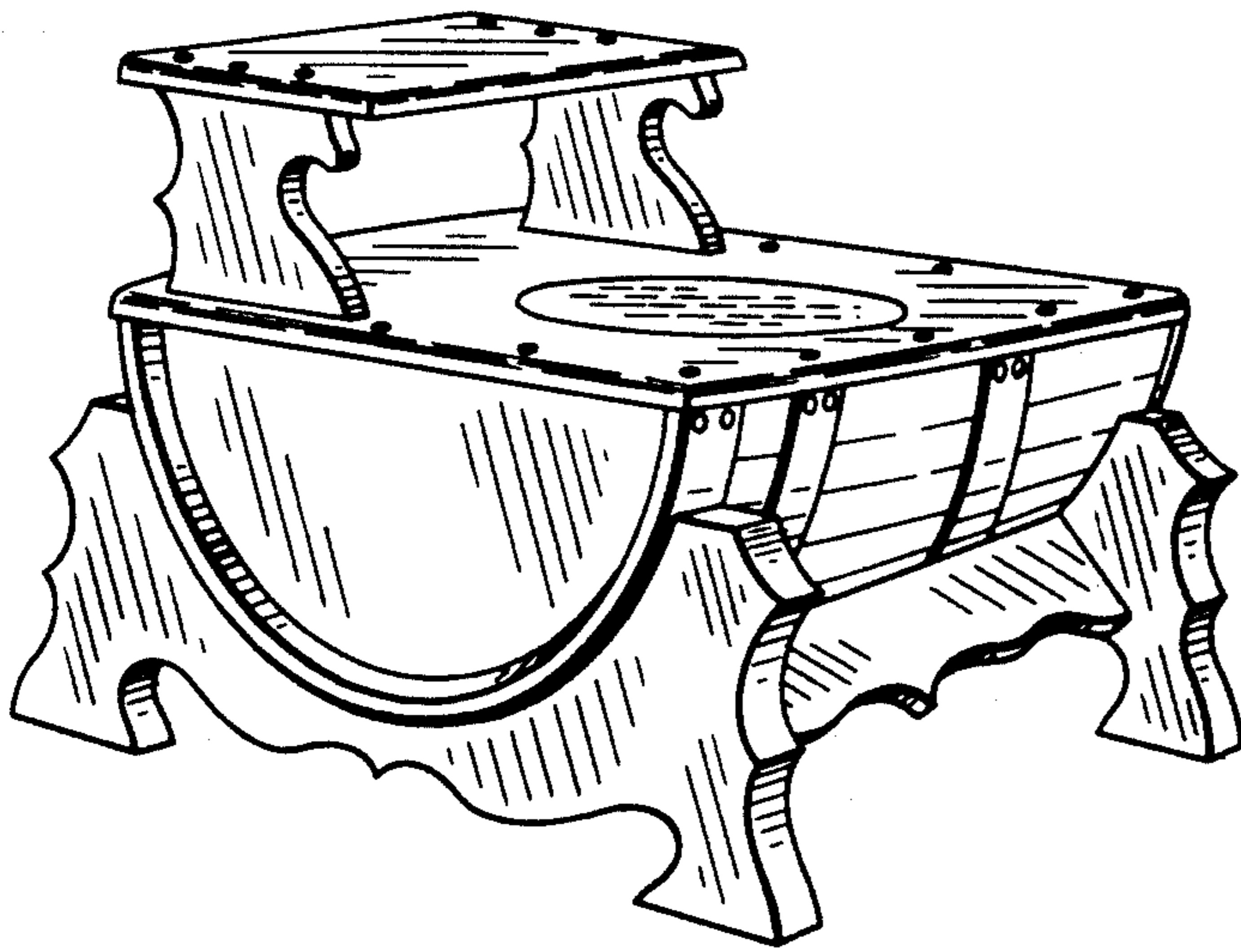


FIG. 2

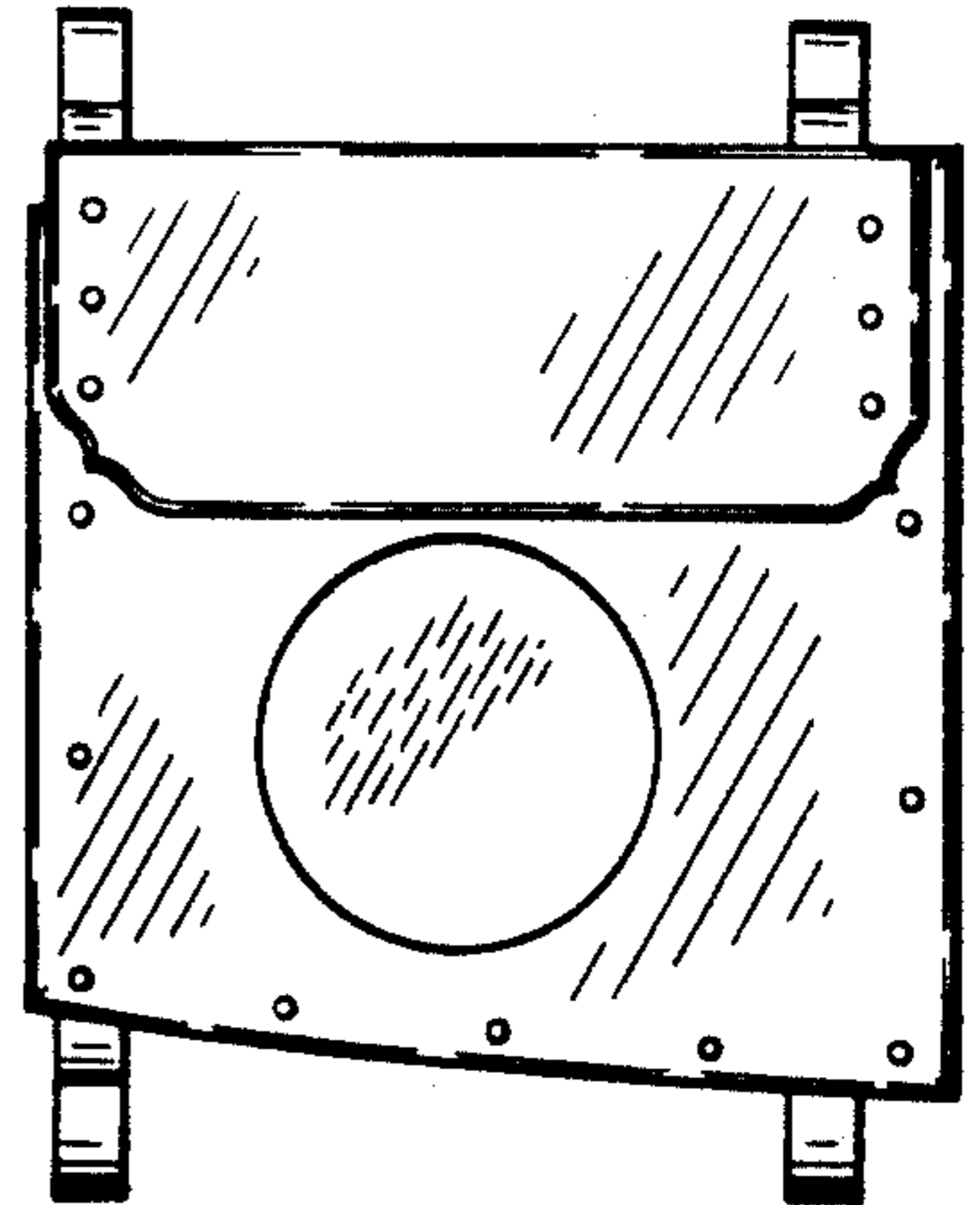


FIG. 3



FIG. 4

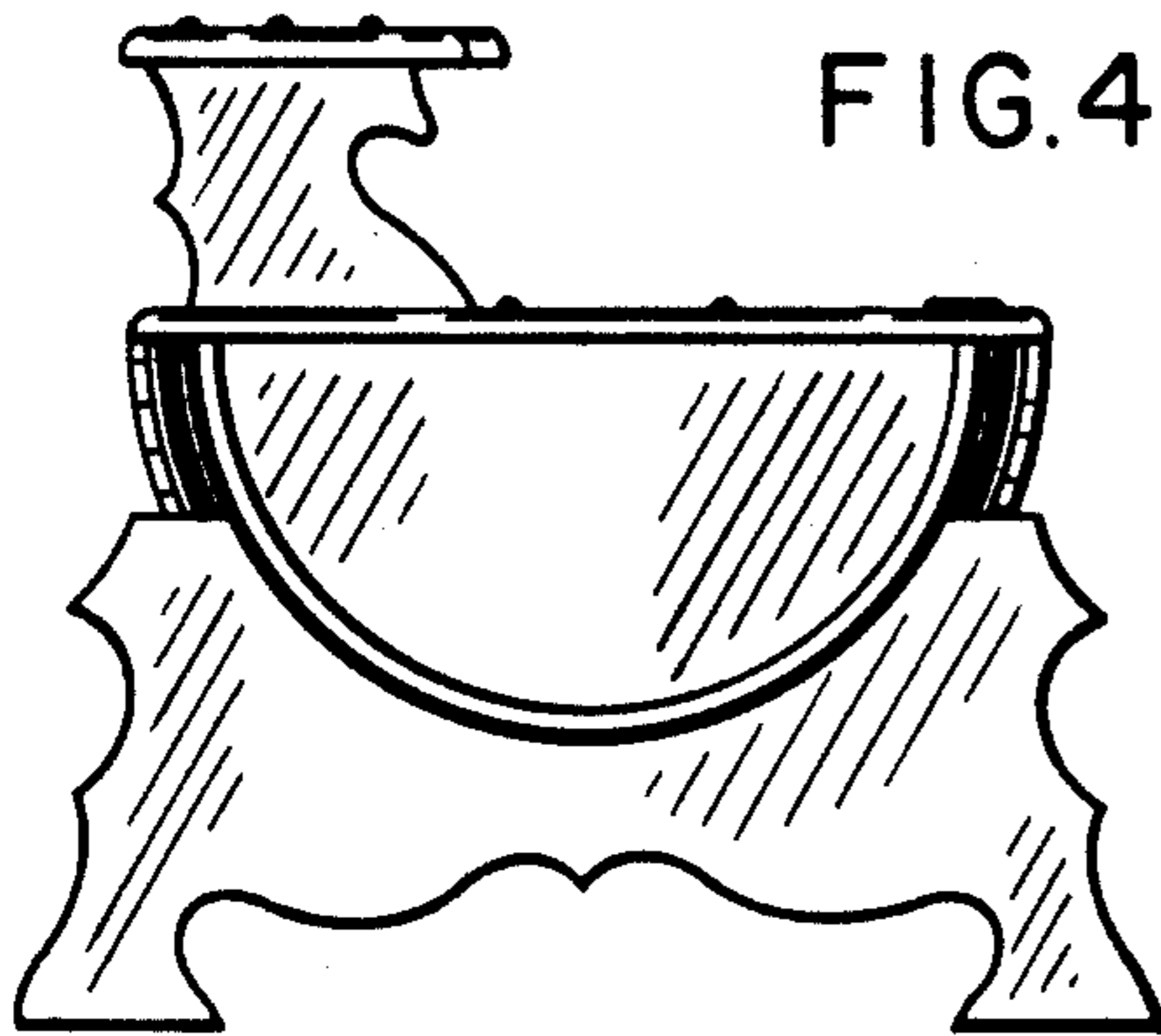


FIG. 5

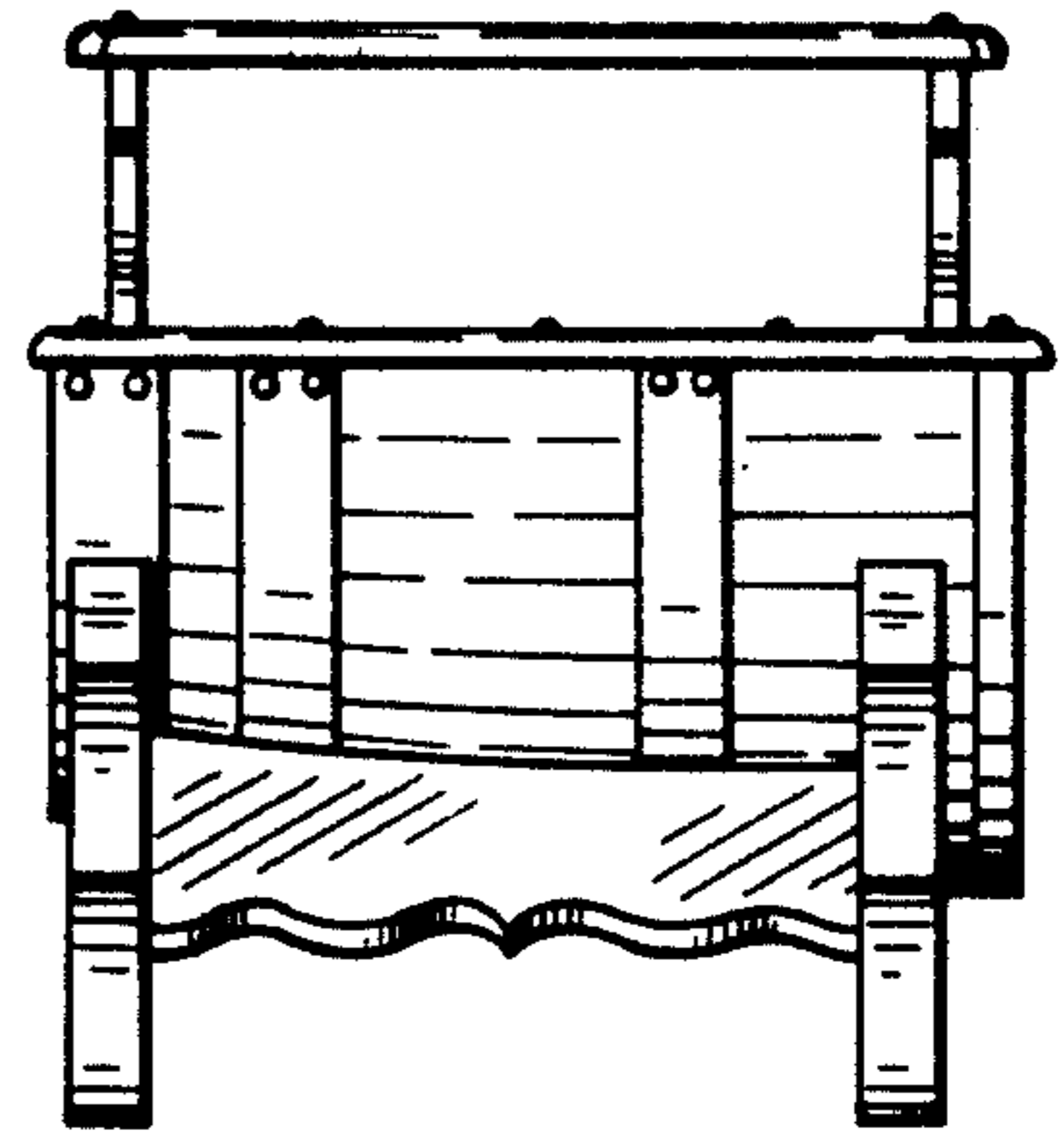


FIG. 6

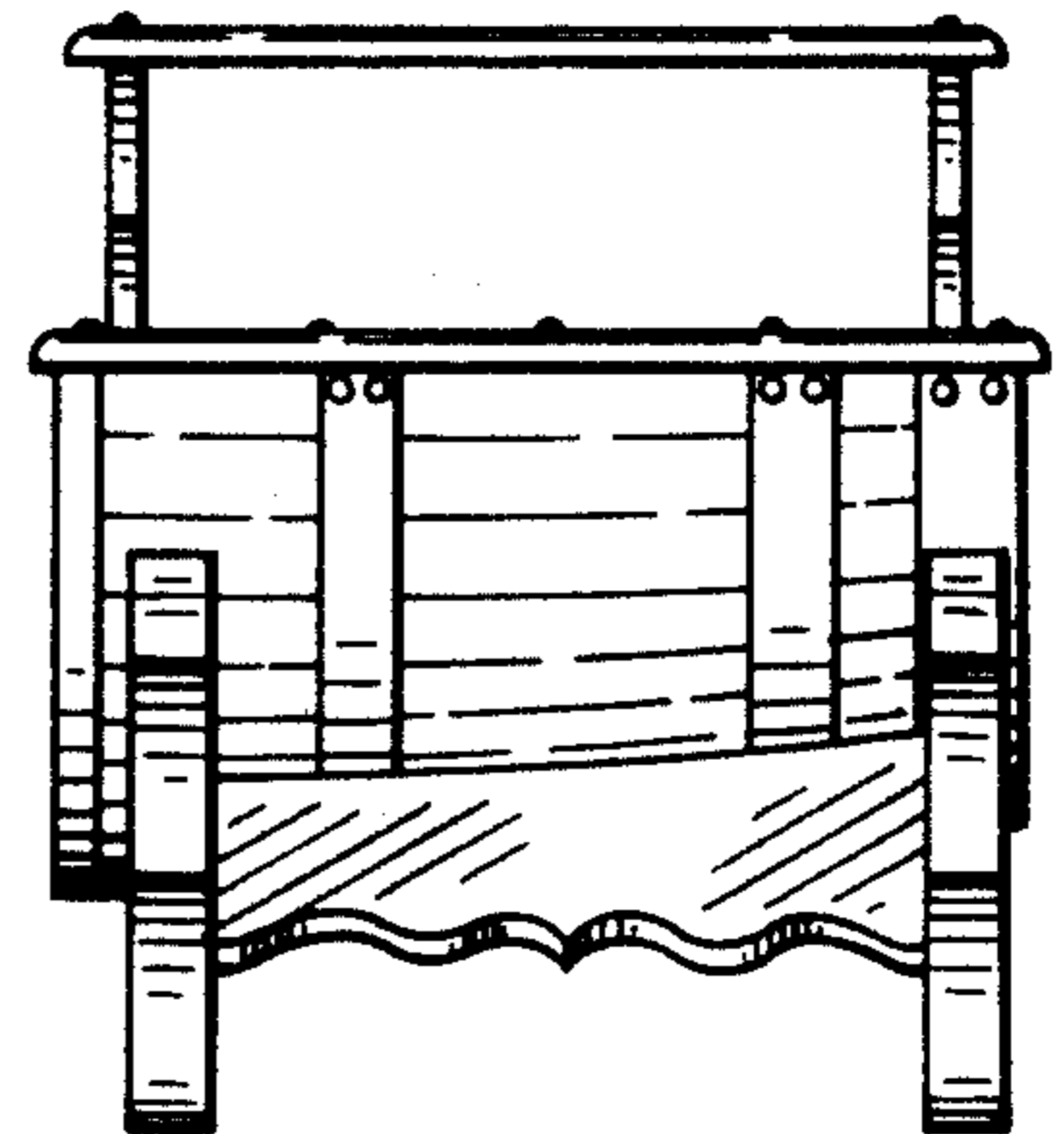


FIG. 7

