

[54] **COFFEE TABLE OR THE LIKE**

[76] Inventor: **Scott T. Nicolson, 5286 NE. 72nd Ave., Portland, Oreg. 97218**

[**] Term: **14 Years**

[21] Appl. No.: **805,086**

[22] Filed: **Jun. 9, 1977**

[51] Int. Cl. **D6-03**

[52] U.S. Cl. **D6/147; D6/177**

[58] Field of Search **D12/25, 29; D6/27, 175, D6/177-179, 151-154, 68, 74, 147, 148**

[56] **References Cited**

U.S. PATENT DOCUMENTS

D. 139,764 12/1944 Raucher D6/175

D. 192,964 6/1962 Intorcio D6/154

D. 245,463 8/1977 Smedley D6/153 X

Primary Examiner—Bruce W. Dunkins

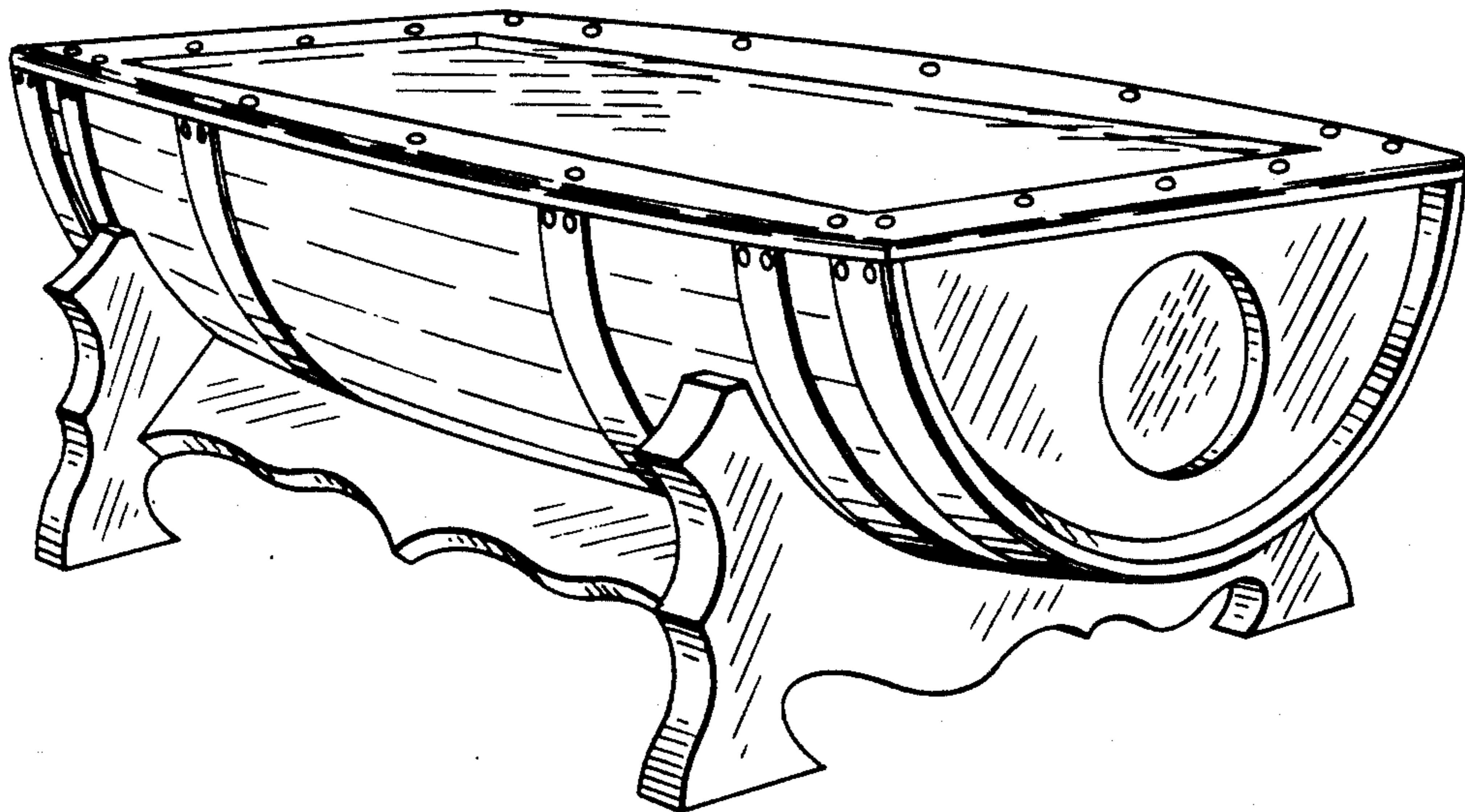
Attorney, Agent, or Firm—Kenneth S. Klarquist

[57] **CLAIM**

The ornamental design for a coffee table or the like, as shown and described.

DESCRIPTION

FIG. 1 is a perspective view of the coffee table of my invention as viewed from the front and right end; FIG. 2 is a top view of the coffee table of FIG. 1; FIG. 3 is a left end elevation of the coffee table of FIG. 1; FIG. 4 is a bottom view of the coffee table of FIG. 1; and FIG. 5 is an exploded view of the coffee table on a reduced scale and showing the elements thereof in greater detail.



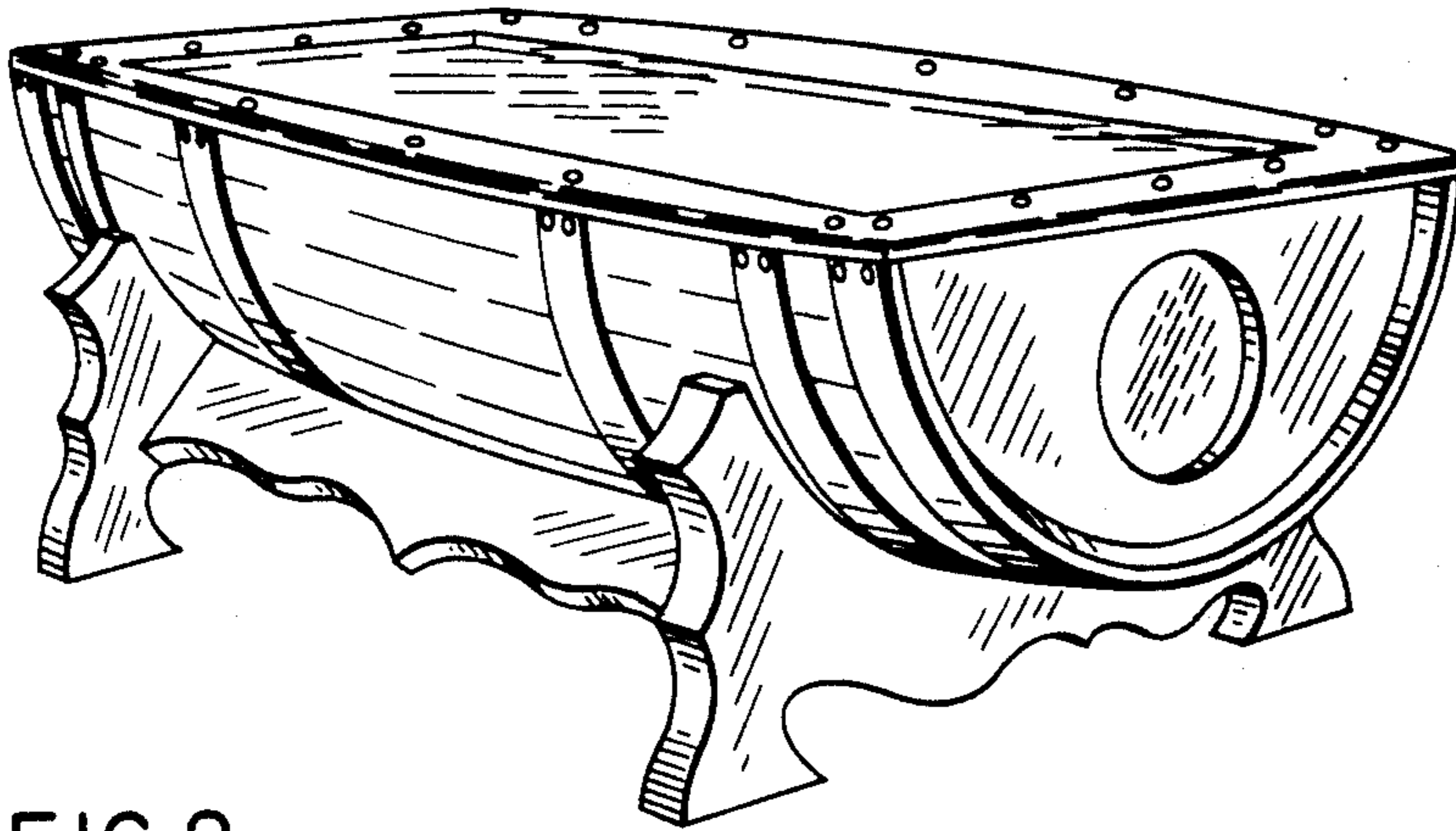


FIG. 1

FIG. 2

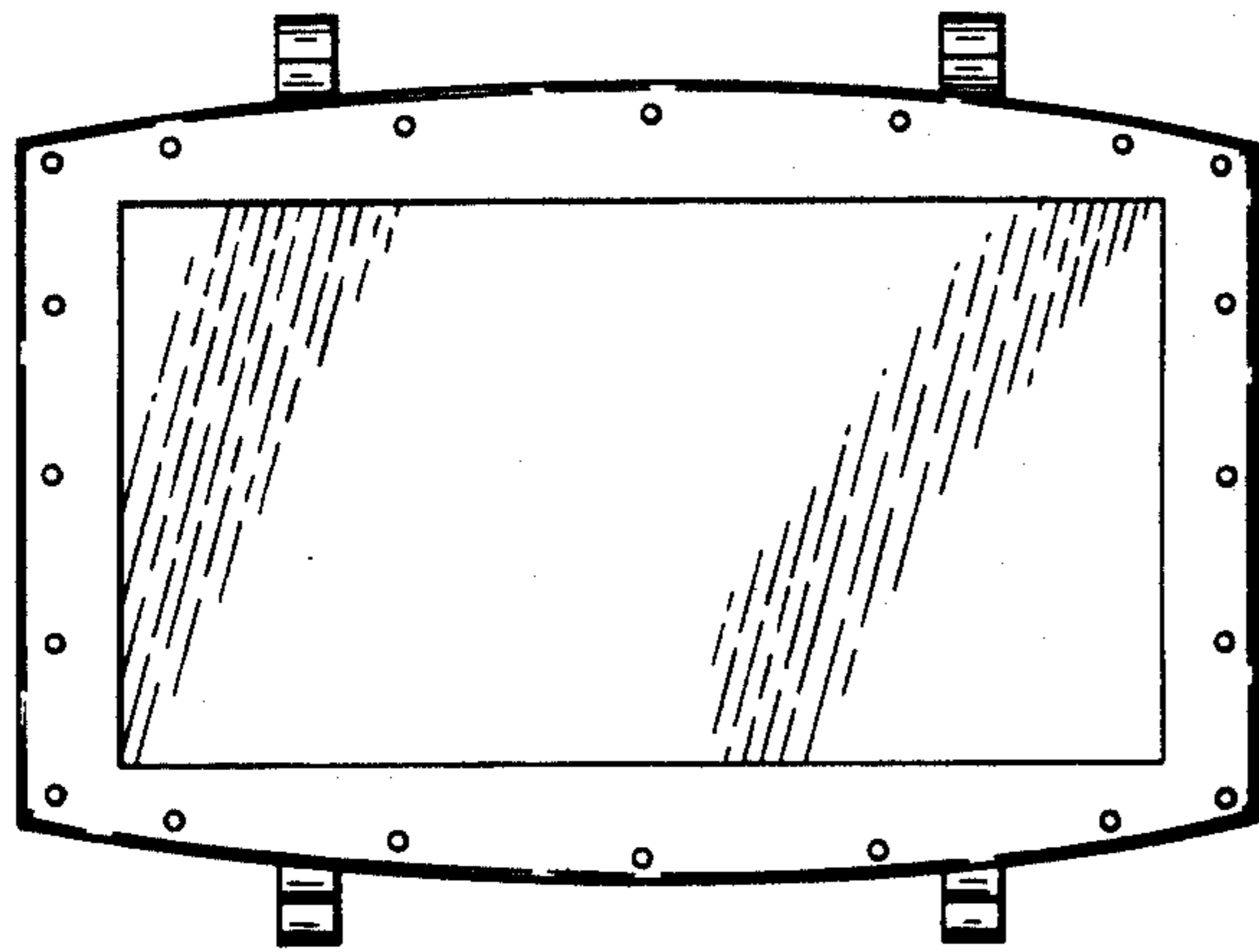


FIG. 3

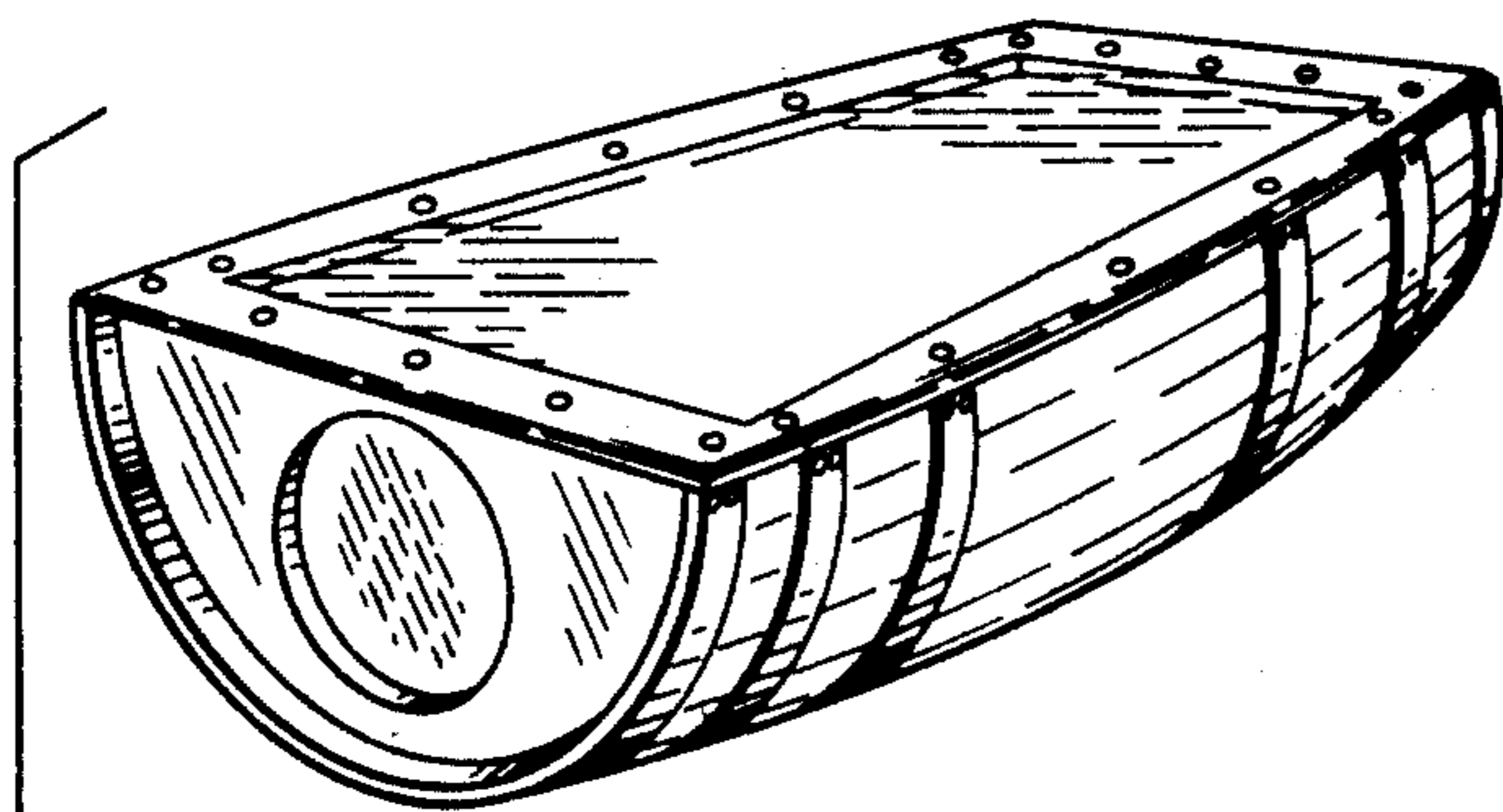
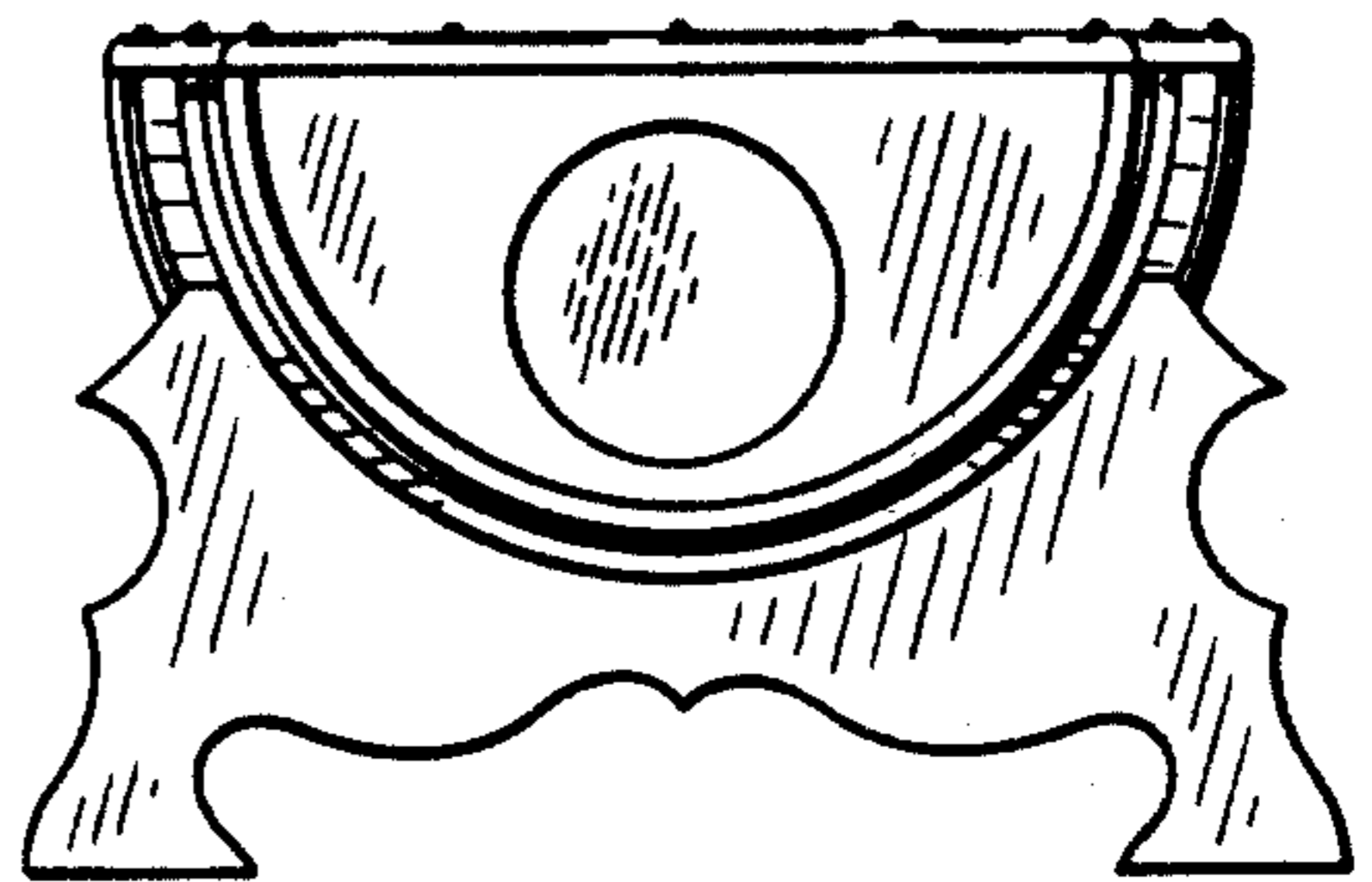


FIG. 5

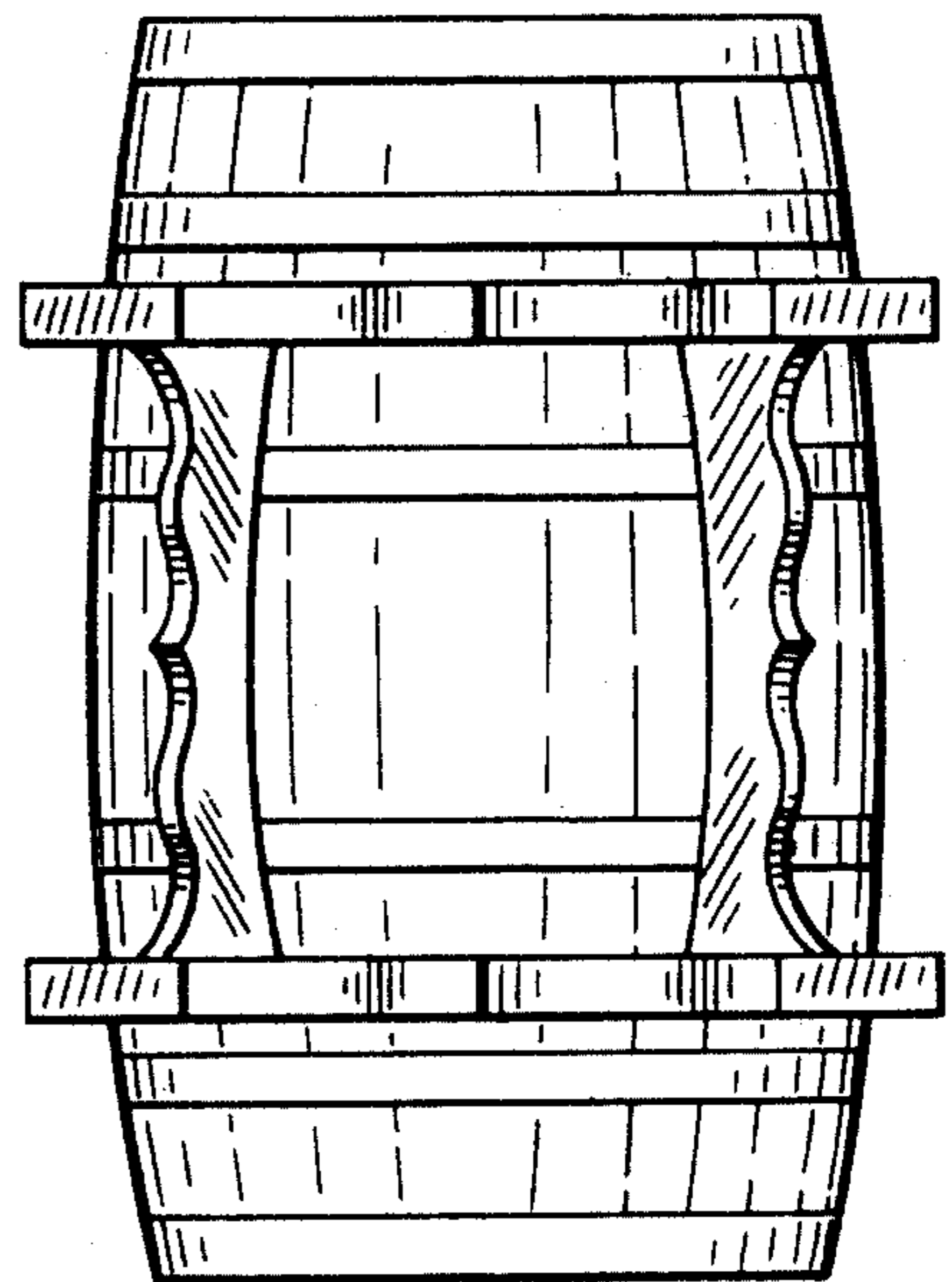
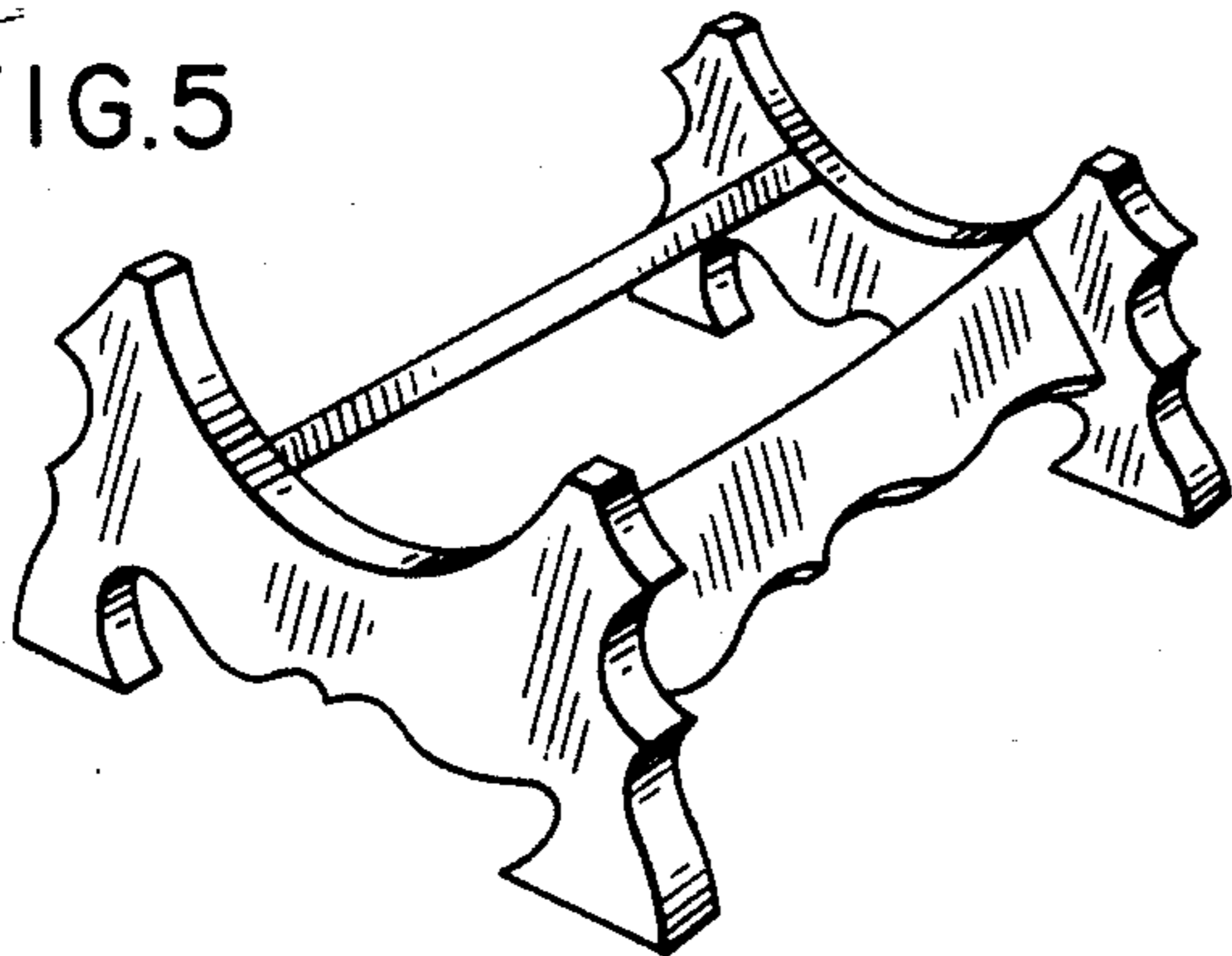


FIG. 4