

[54] LUGGAGE CASE

1,964,820 7/1934 Kaufmann D87/5 F

[75] Inventor: Michael Davis, New Castle, Pa.

OTHER PUBLICATIONS

[73] Assignee: Airway Industries, Incorporated, Ellwood City, Pa.

Luggage & Leather Goods, 7/74, p. 22, item top left.

[**] Term: 14 Years

Primary Examiner—Joel Stearman

Assistant Examiner—George P. Word

Attorney, Agent, or Firm—Eugene F. Buell

[21] Appl. No.: 758,671

[57] CLAIM

[22] Filed: Jan. 12, 1977

The ornamental design for a luggage case, as shown and described.

[51] Int. Cl. D3—01

[52] U.S. Cl. D3/76

[58] Field of Search D87/1 R, 5 B, 5 F, 5 G; 190/41 R; 150/1.6

DESCRIPTION

FIG. 1 is a perspective view of a luggage case showing my new design, the essential feature of which resides in the configuration and appearance of the side panels thereof, it being understood that both sides and ends of the luggage case are identical in configuration and appearance to that shown;

FIG. 2 is a bottom perspective view thereof.

[56] References Cited

U.S. PATENT DOCUMENTS

D. 112,729 12/1938 Worthington D87/5 F

D. 159,128 6/1950 Alpert D87/5 F

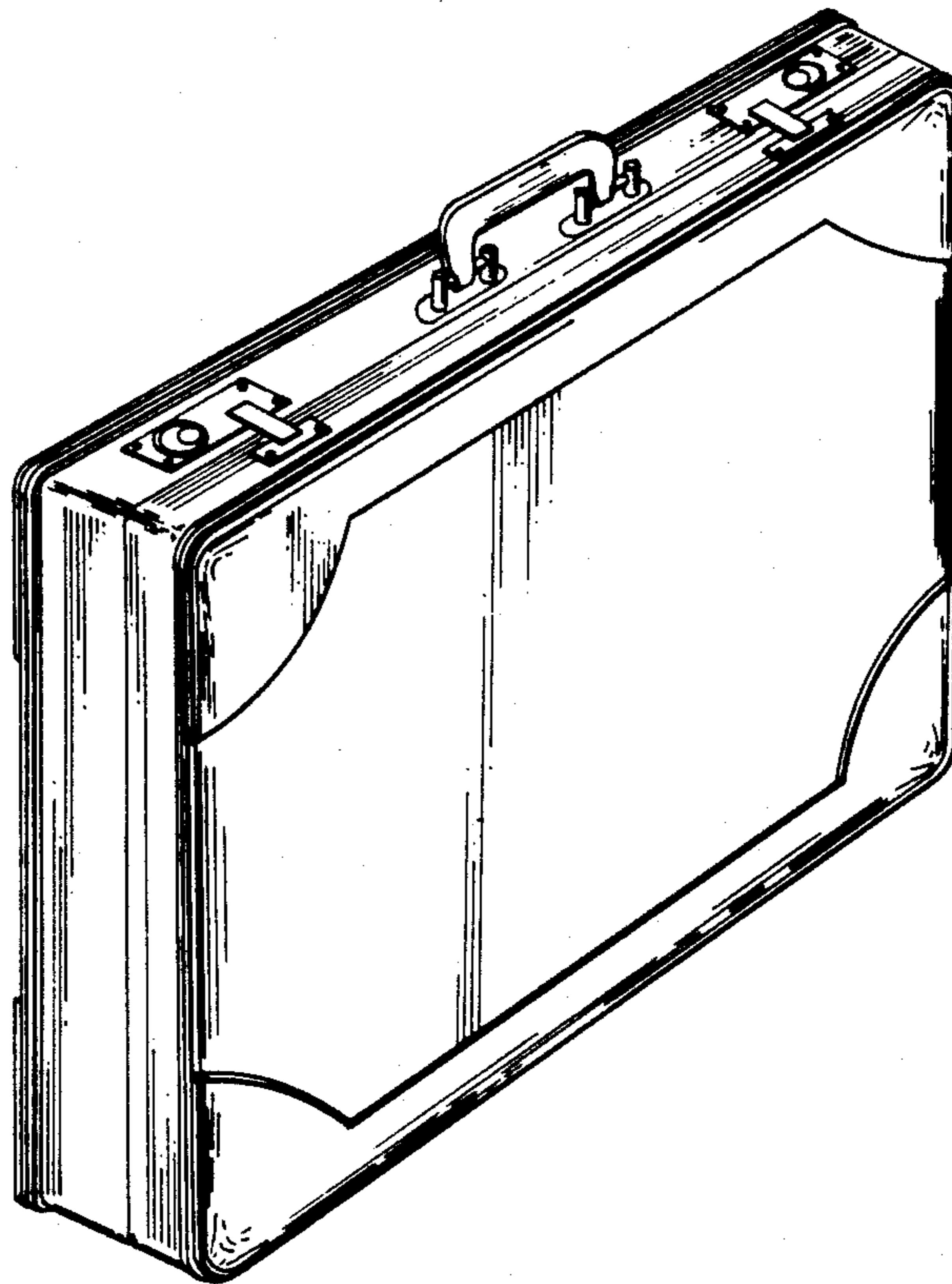


Fig. 1.

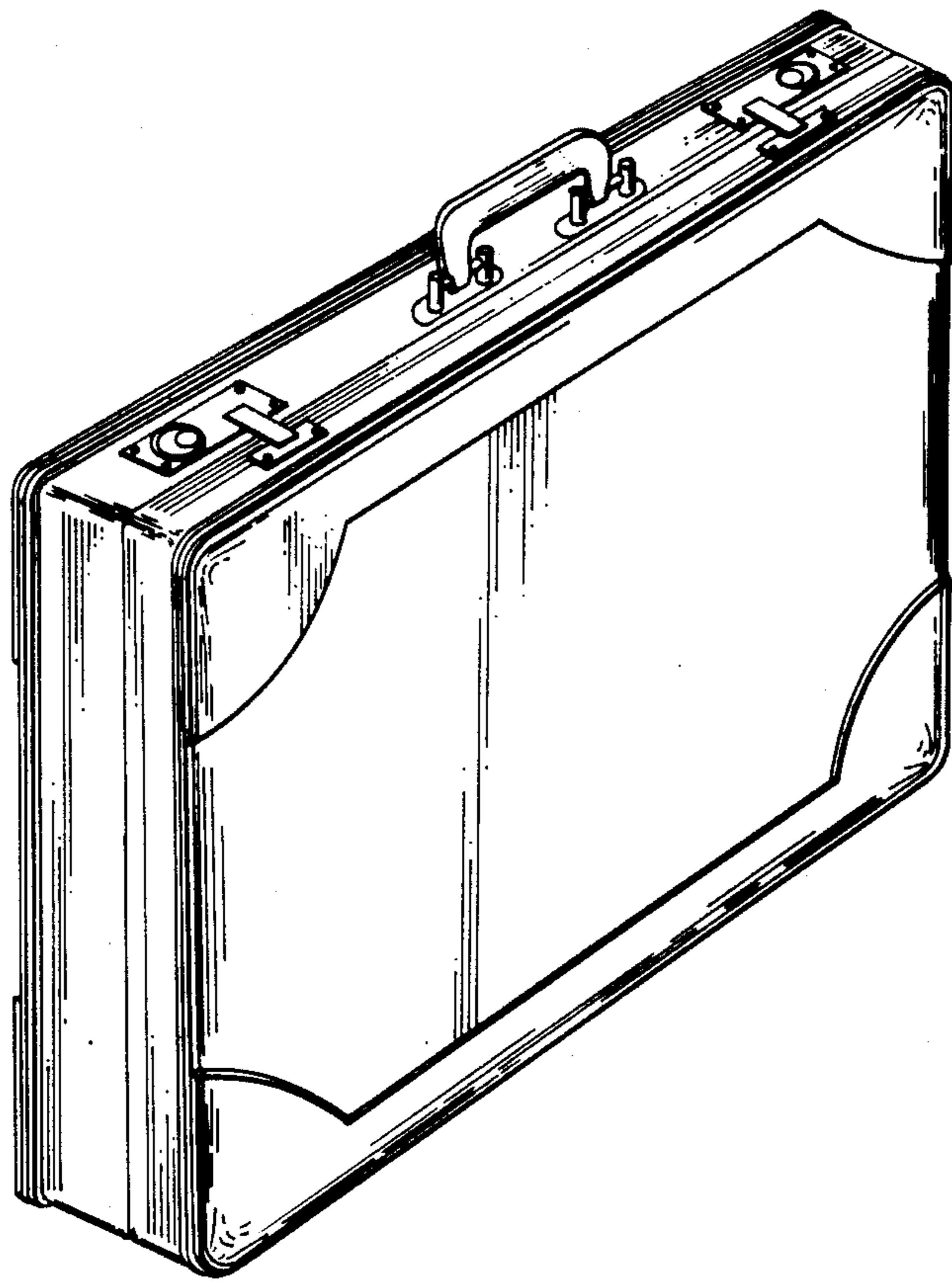


Fig. 2.

