

[54] LUMINAIRE

[75] Inventor: James T. Asaki, Fair Haven, N.J.

[73] Assignee: International Telephone and Telegraph Corporation, New York, N.Y.

[\*\*] Term: 14 Years

[21] Appl. No.: 710,600

[22] Filed: Aug. 2, 1976

[51] Int. Cl. .... D26-03; D26-05

[52] U.S. Cl. .... D48/37; D48/23 A

[58] Field of Search ..... D48/35, 36, 37, 38, D48/23 A; 362/307, 308, 309, 310, 311, 326, 339, 362, 363, 431, 373, 374, 404, 260

[56] References Cited

PUBLICATIONS

Industrial Equipment News, Jan. 1969, p. 34, Fluorescent Fixture, (top).

Electrical Consultant, Oct. 1969, p. 13, Fluorescent Fixture.

National Petroleum News, Aug. 1961, p. 176, "Guardian" Fluorescent Fixture.

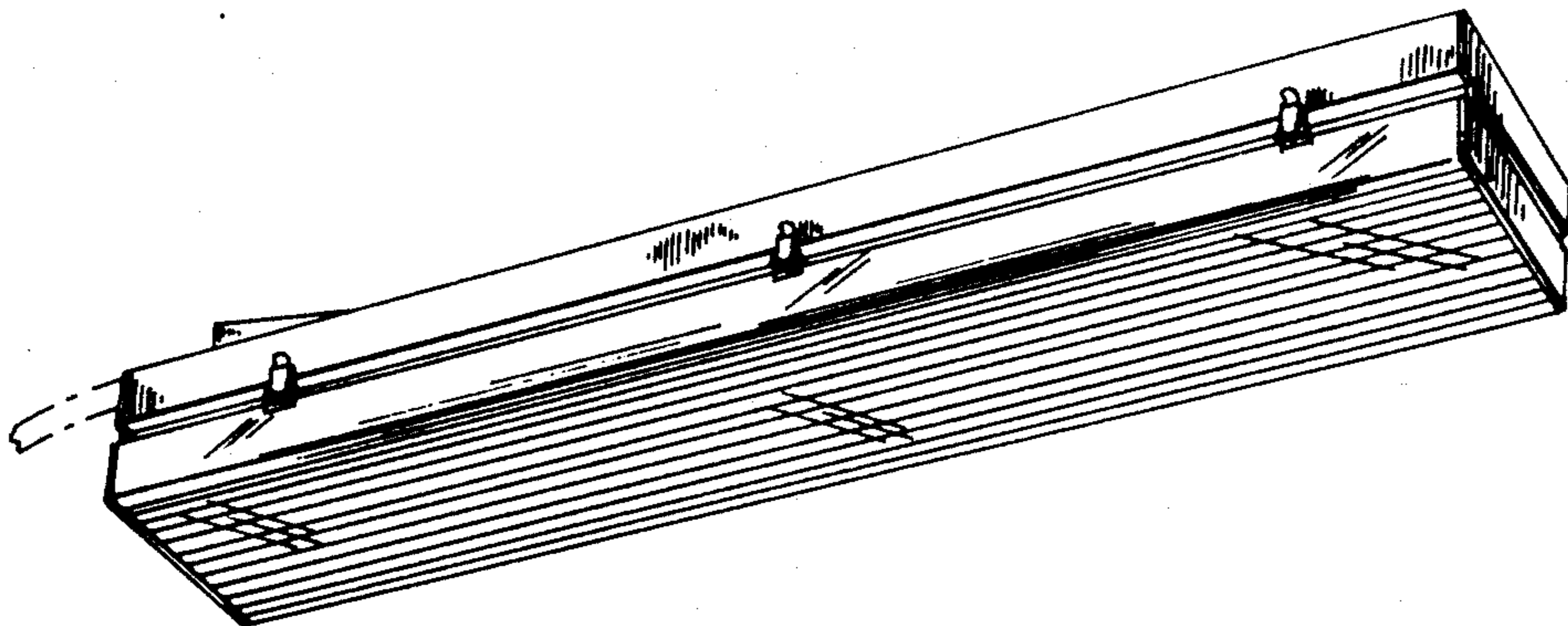
Primary Examiner—Susan J. Lucas  
Attorney, Agent, or Firm—Walter J. Baum

[57] CLAIM

The ornamental design of a luminaire, substantially as shown and described.

DESCRIPTION

FIG. 1 is a perspective view of the front of a luminaire showing my new design;  
FIG. 2 is a left side elevational view thereof, the right side being a mirror image;  
FIG. 3 is a top plan view thereof;  
FIG. 4 is a bottom plan view thereof;  
FIG. 5 is a rear elevational view thereof; and  
FIG. 6 is a front elevational view thereof.  
The fragmentary bracket is shown in broken lines for illustrative purposes only.



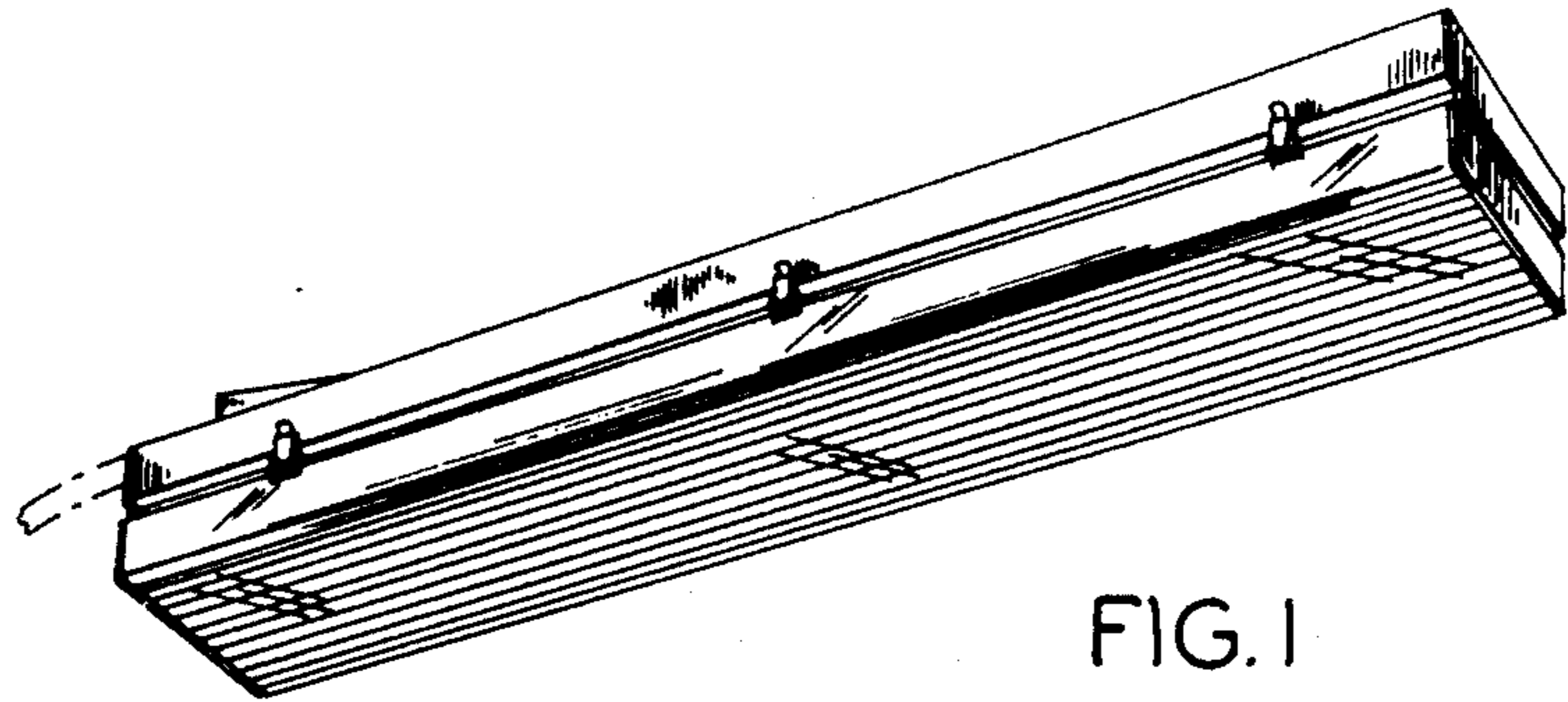


FIG. 1

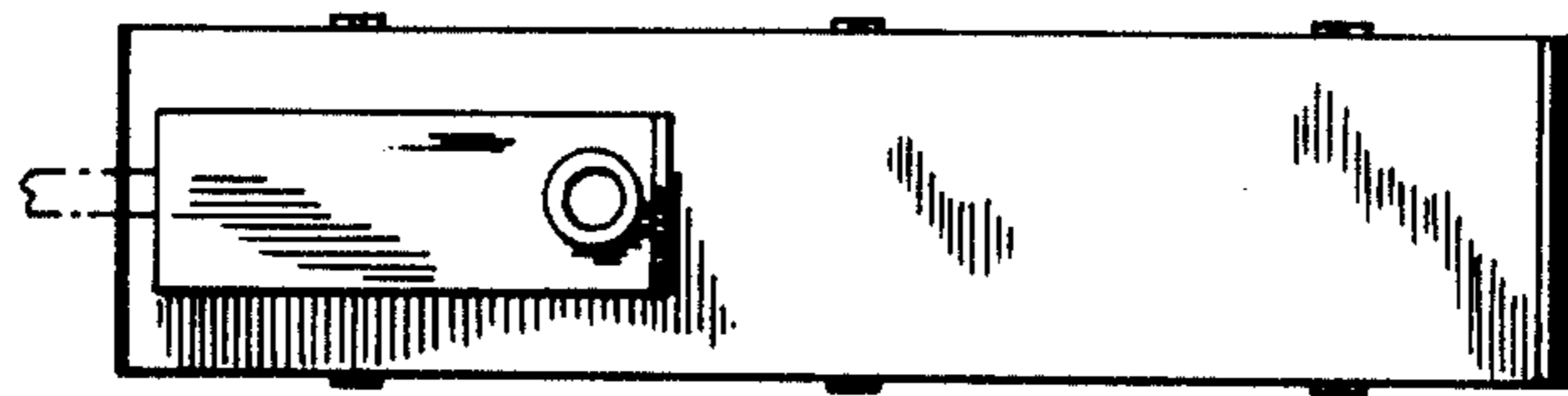


FIG. 3



FIG. 5

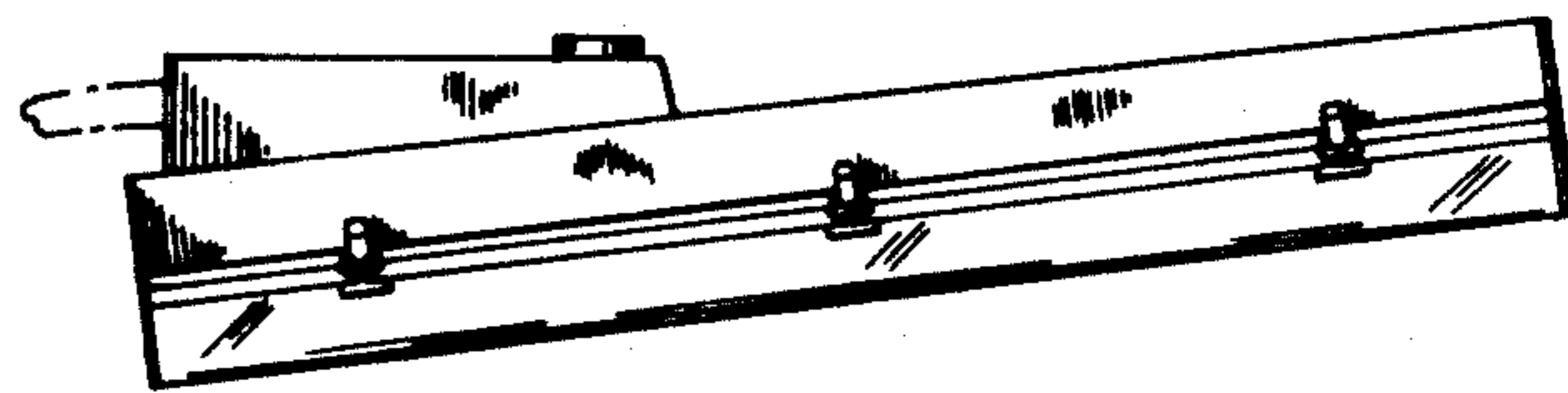


FIG. 2

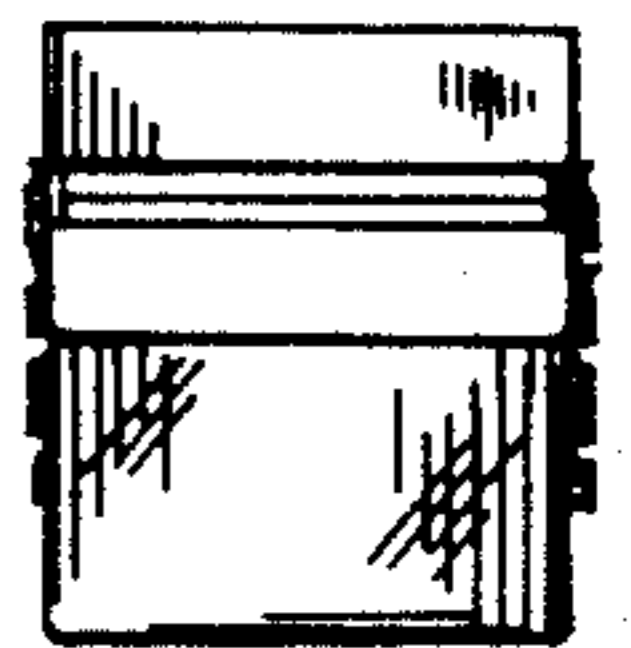


FIG. 6

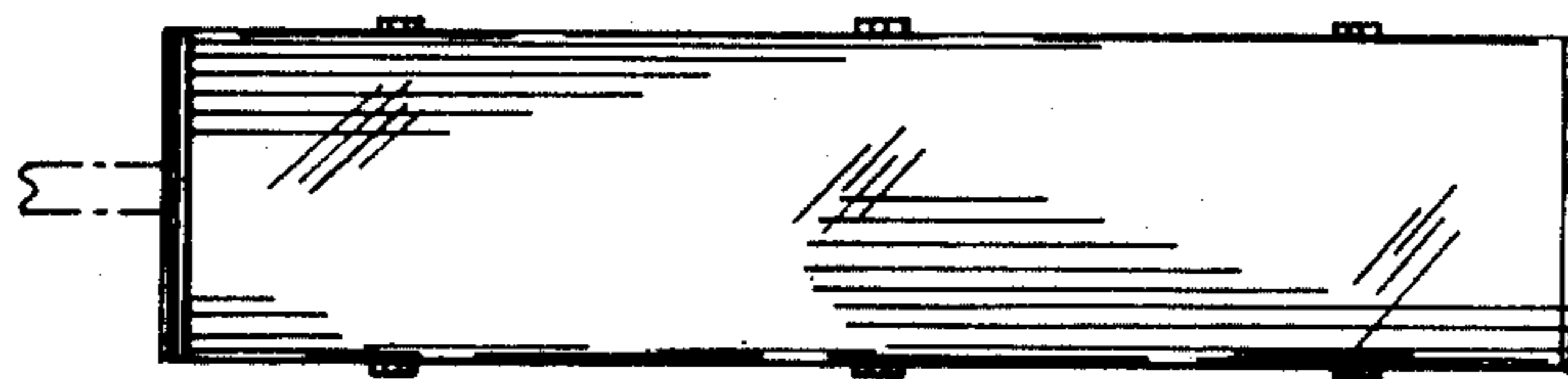


FIG. 4