

[54] TOY VEHICLE

[76] Inventor: Kiyoji Asano, 2-27-23, Sumida, Sumida-ku, Tokyo, Japan

[\*\*] Term: 14 Years

[21] Appl. No.: 637,092

[22] Filed: Dec. 2, 1975

[51] Int. Cl. .... D21-01

[52] U.S. Cl. .... D21/131; D21/132

[58] Field of Search ..... D12/1, 12-15, D12/57, 82, 83, 93, 96, 99; D34/15 AE, 15 AJ, 15 D, 15 S, 15 AN; 46/214, 215, 222, 201, 202, 207, 251, 252

[56] References Cited

U.S. PATENT DOCUMENTS

D. 236,703 9/1975 Baker et al. .... D12/1

OTHER PUBLICATIONS

Wards, 1974 Xmas Catalog, p. 339, Item No. 8, Toy Backhoe-Loader.

Construction Methods & Equipment, 6-1958, p. 148, Crawler Crane.

Northwest Catalog, 1969, p. 14, Crane Model 180-D.

Primary Examiner—Joel Stearman

Assistant Examiner—Charles A. Rademaker

Attorney, Agent, or Firm—Harry John Staas

[57] CLAIM

The ornamental design for a toy vehicle, as shown.

DESCRIPTION

FIG. 1 is a left side elevational view of a toy vehicle embodying my new design;

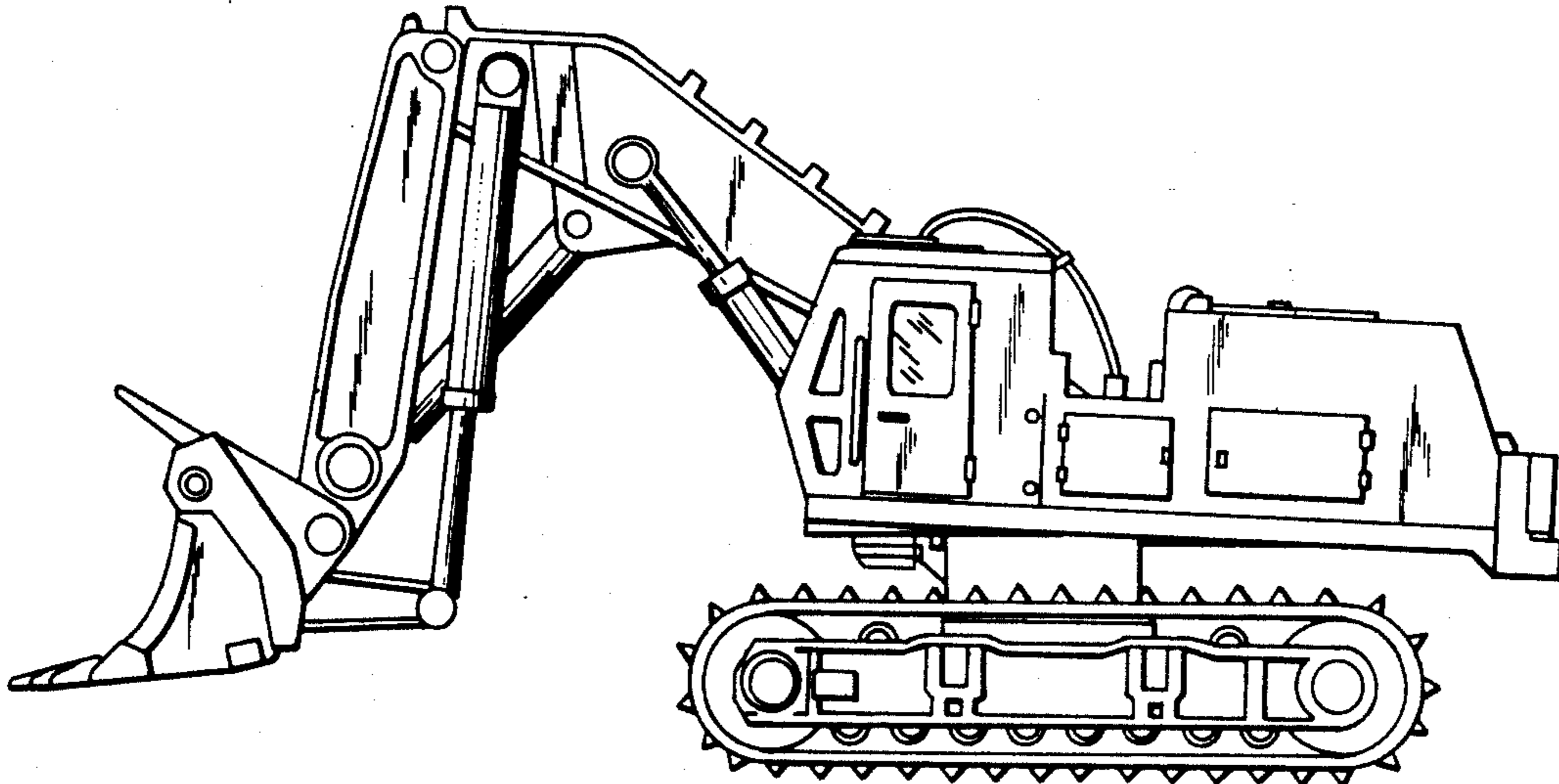
FIG. 2 is a top plan view thereof;

FIG. 3 is a front elevational view thereof;

FIG. 4 is a right side elevational view thereof;

FIG. 5 is a bottom plan view thereof; and

FIG. 6 is a rear elevational view thereof.



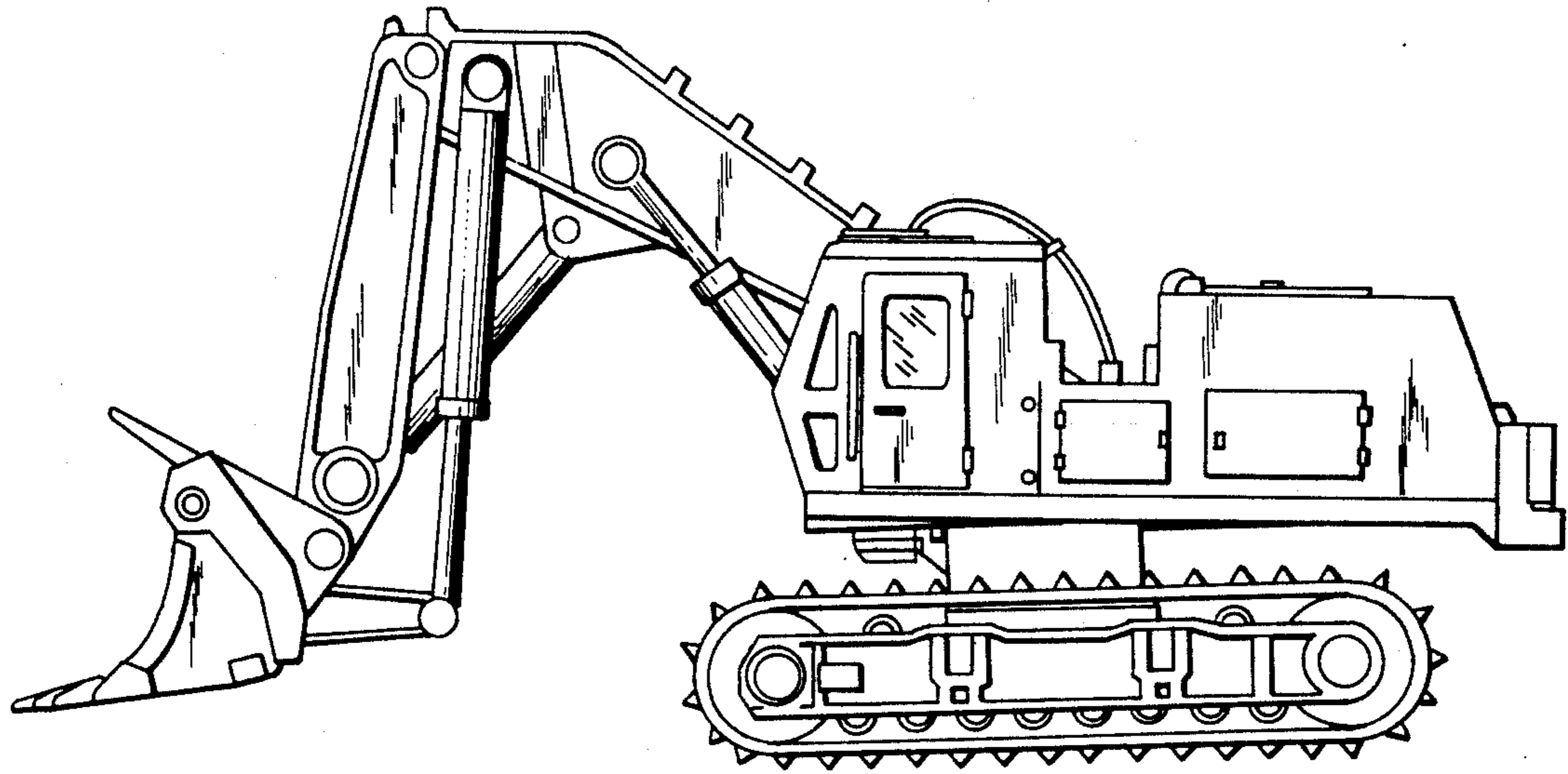
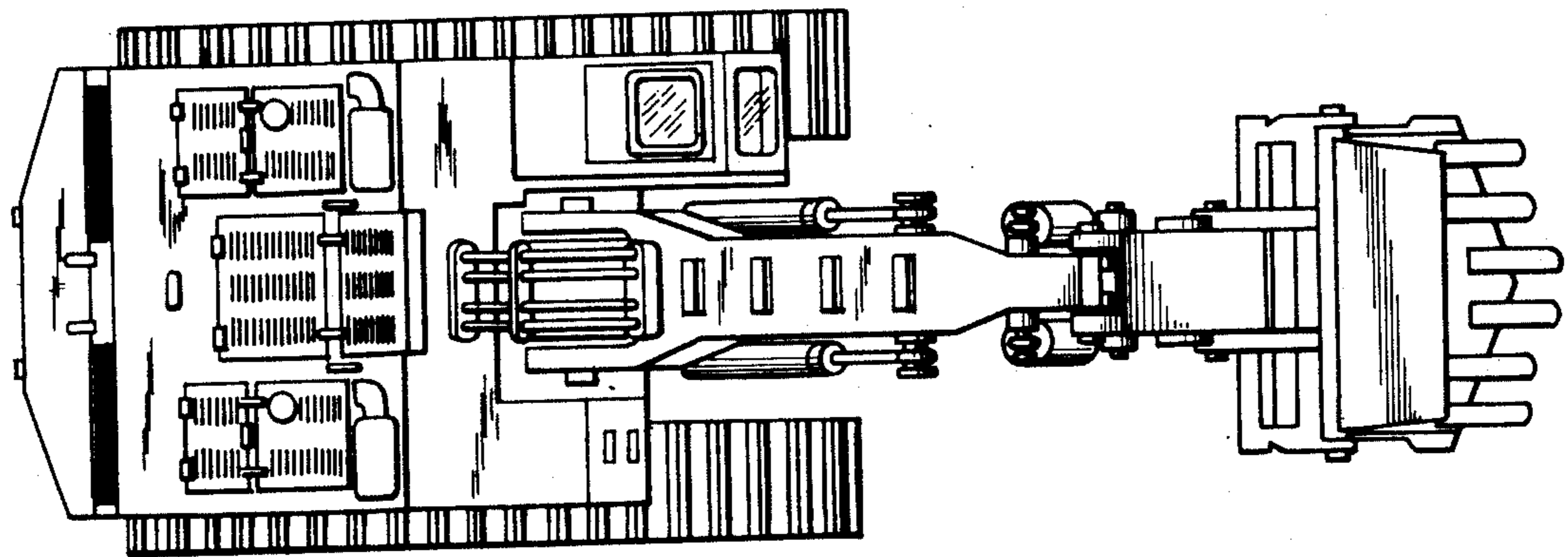
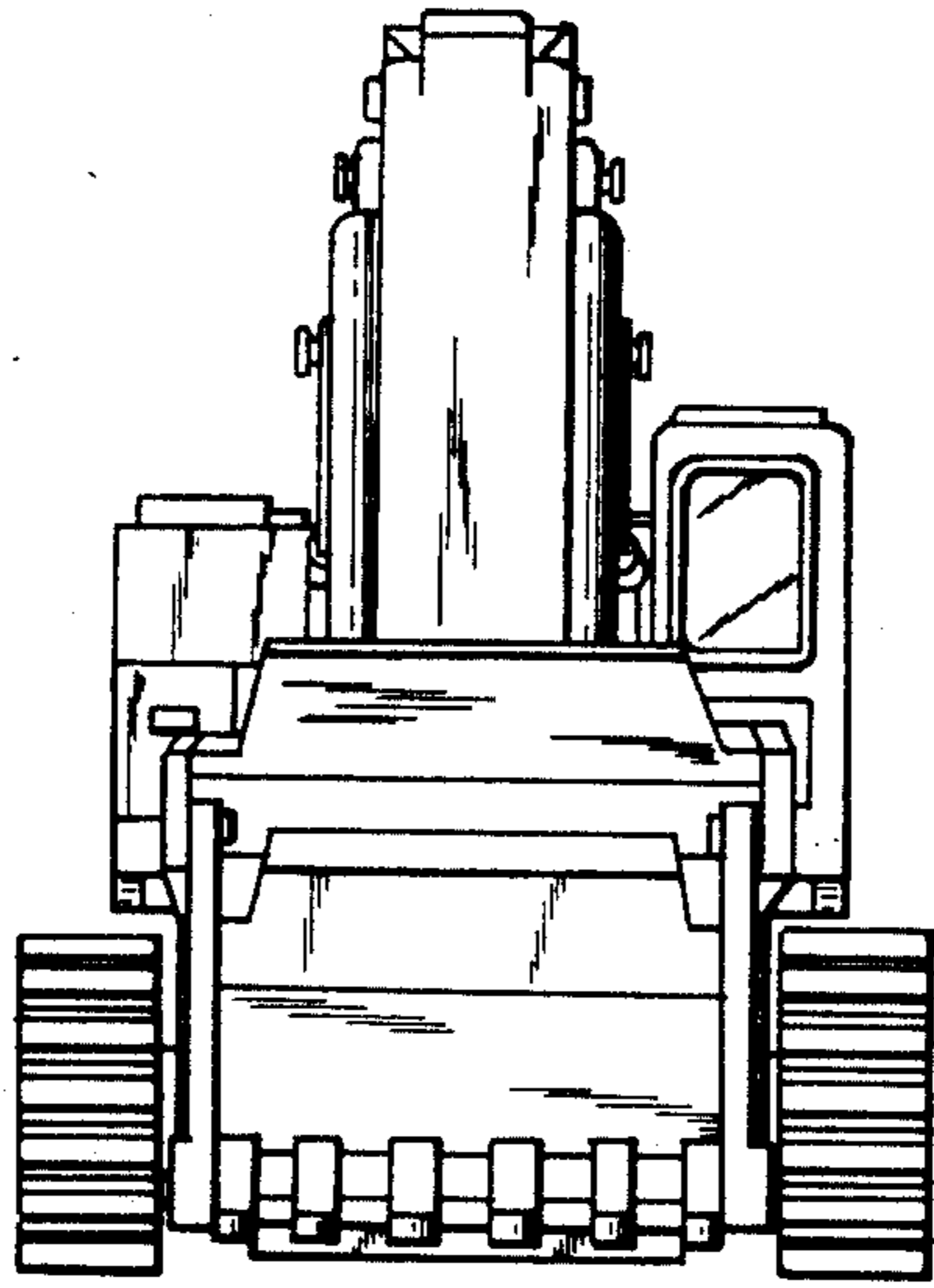


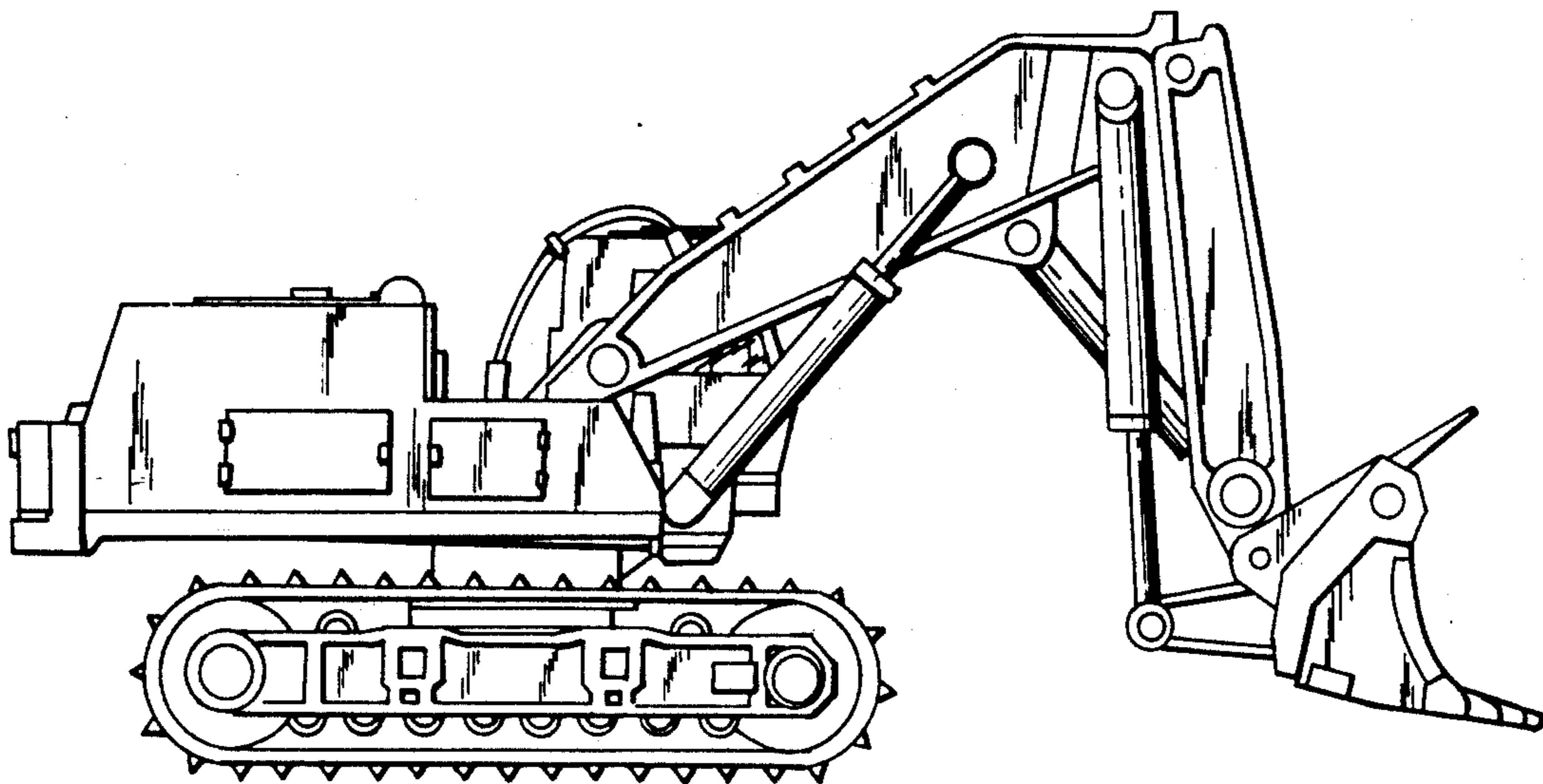
FIG. 1

FIG. 2

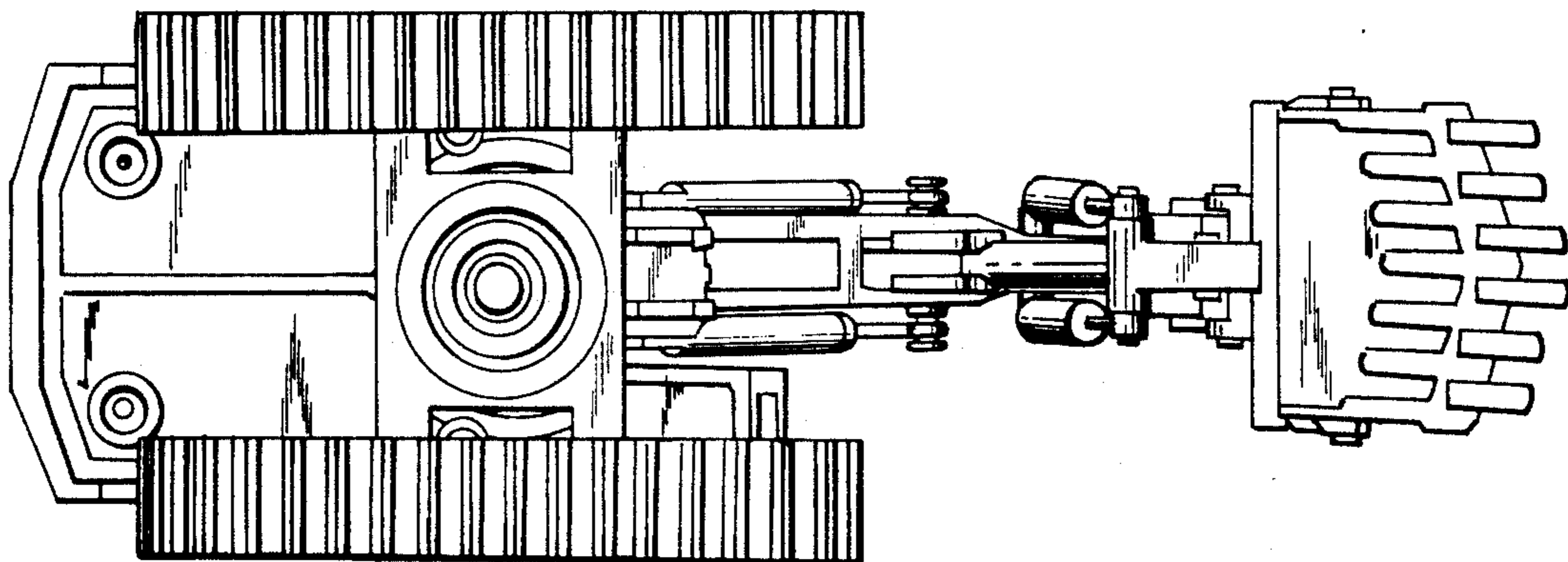




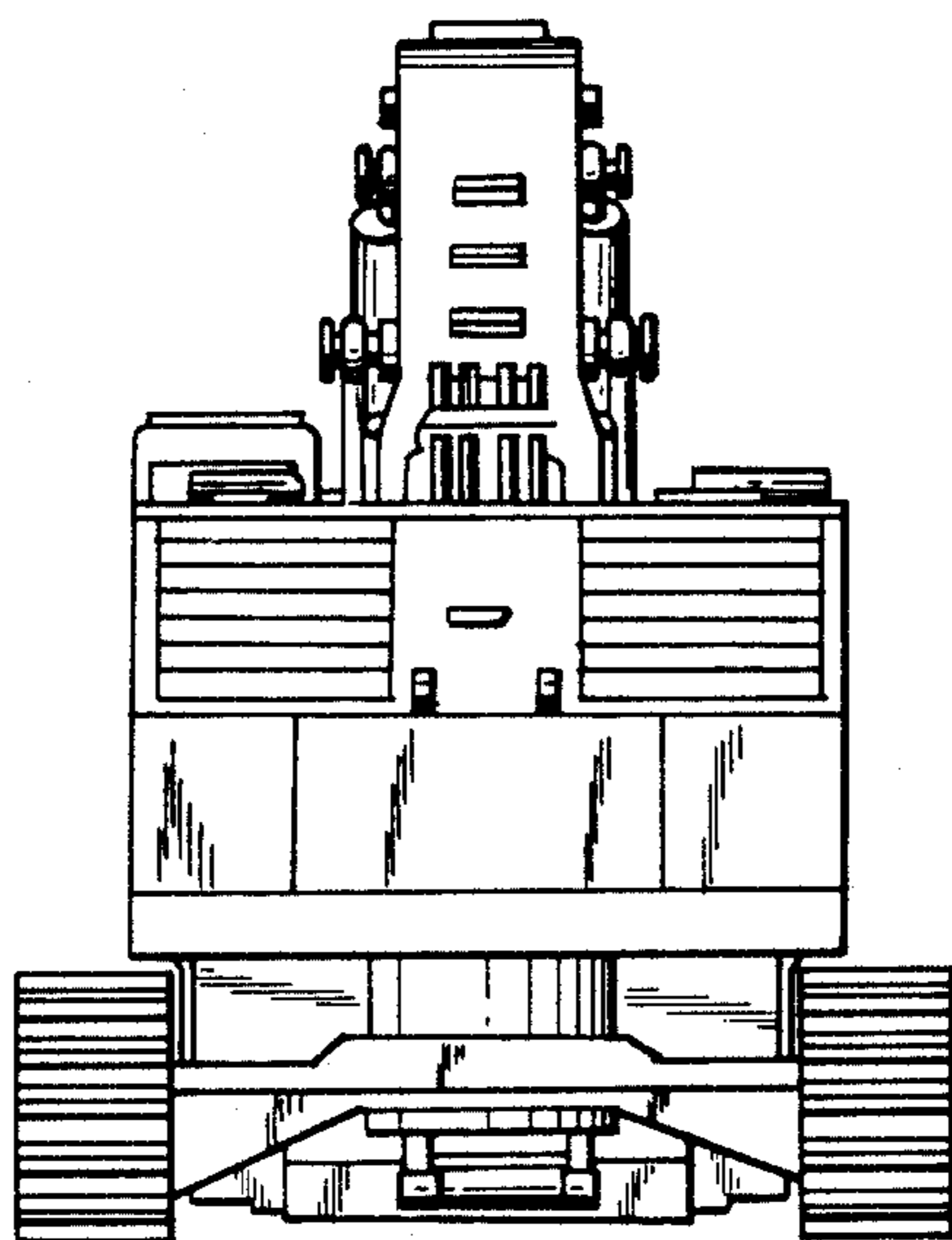
*FIG. 3*



*FIG. 4*



*FIG. 5*



*FIG. 6*