

[54] TOY VEHICLE

3,246,421 4/1966 Douglas 46/215

[76] Inventor: Kiyoji Asano, 2-27-23 Sumida, Sumida-ku, Tokyo, Japan

OTHER PUBLICATIONS

Hong Kong Toys 73 ©1973, p. 113, Item 878, Vehicle.

[**] Term: 14 Years

Primary Examiner—Joel Stearman
Assistant Examiner—Charles A. Rademaker
Attorney, Agent, or Firm—Harry John Staas

[21] Appl. No.: 637,063

[22] Filed: Dec. 2, 1975

[57] CLAIM

The ornamental design for a toy vehicle, as shown.

[51] Int. Cl. D21-01

[52] U.S. Cl. D21/132

[58] Field of Search D12/12, 13, 14, 15;
D34/15 AJ, 15 D, 15 S, 15 AE, 15 AN;
46/214, 215, 222, 201, 202, 207, 252, 251

DESCRIPTION

FIG. 1 is a left side elevational view of a toy vehicle embodying my new design.

FIG. 2 is a top plan view thereof;

FIG. 3 is a front elevational view thereof;

FIG. 4 is a right side elevational view thereof;

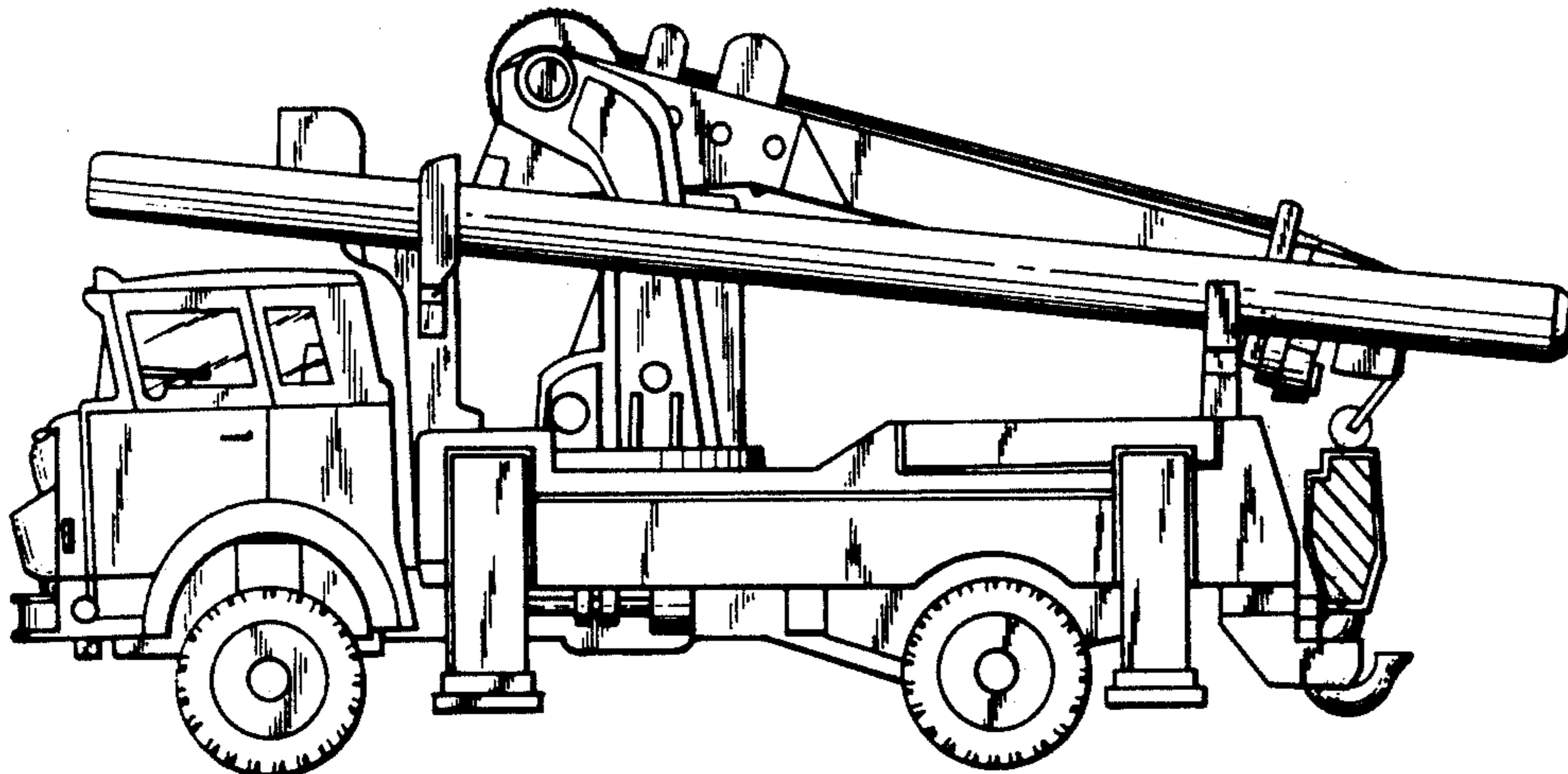
FIG. 5 is a bottom plan view thereof; and

FIG. 6 is a rear elevational view thereof.

[56] References Cited

U.S. PATENT DOCUMENTS

D. 184,784 3/1959 Walsh et al. D12/14



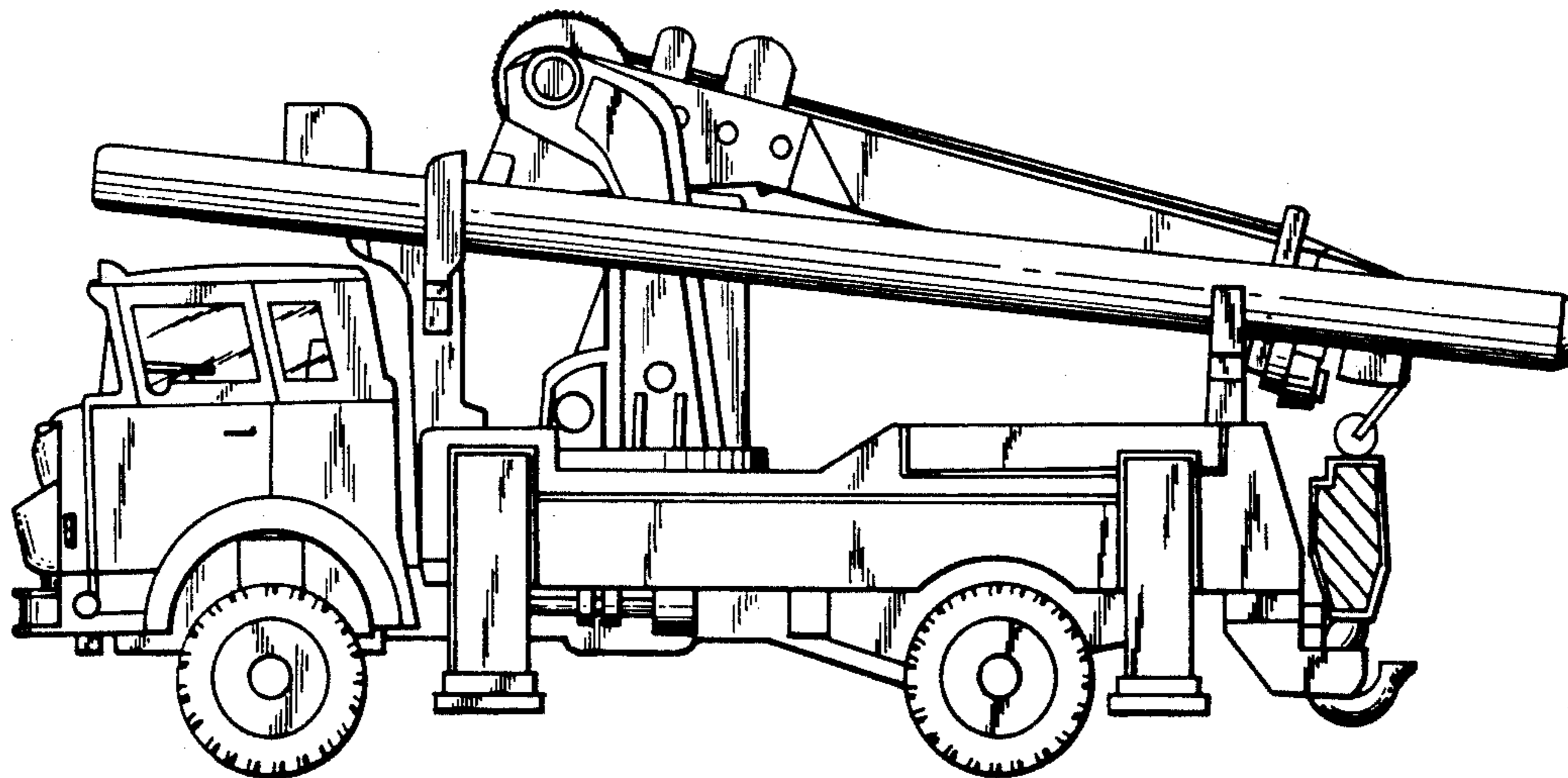


FIG. 1

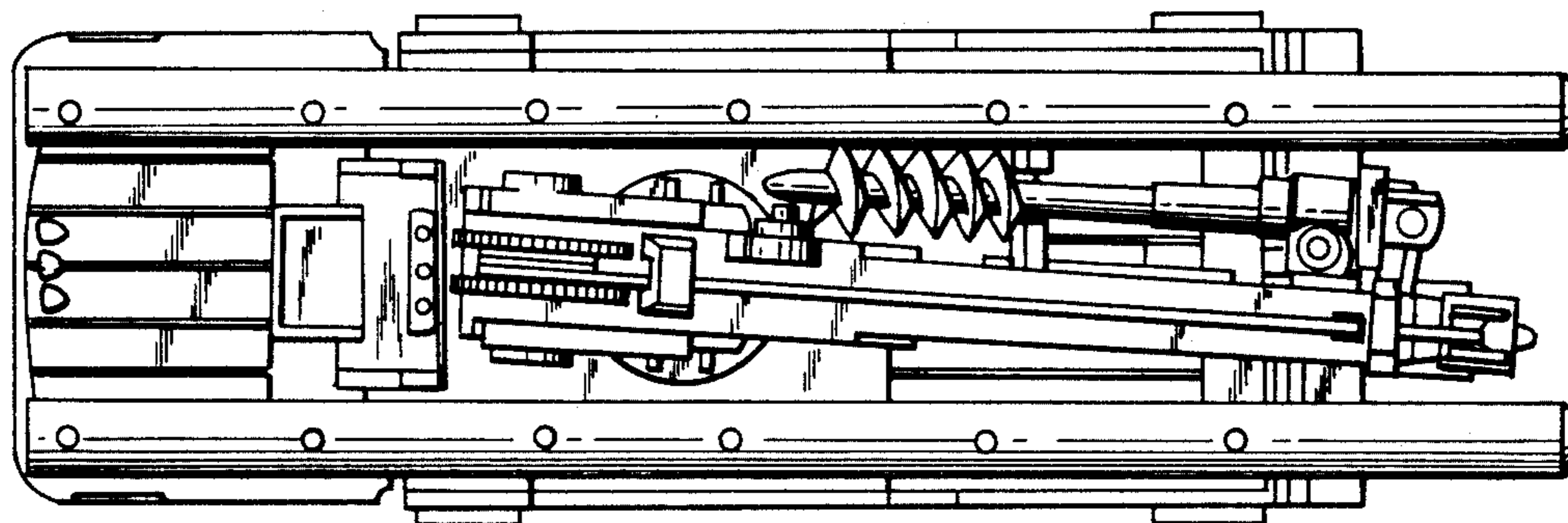


FIG. 2

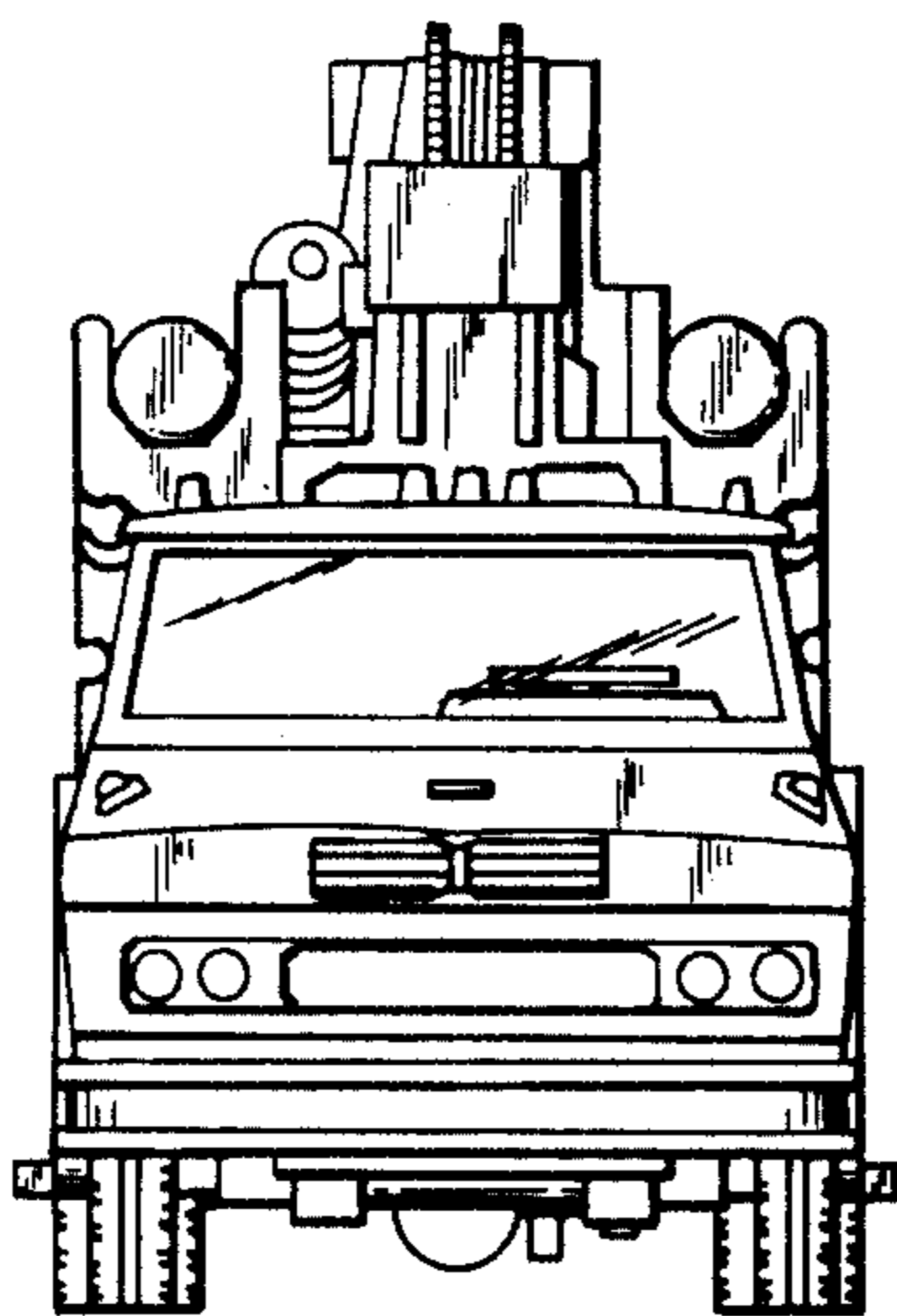


FIG. 3

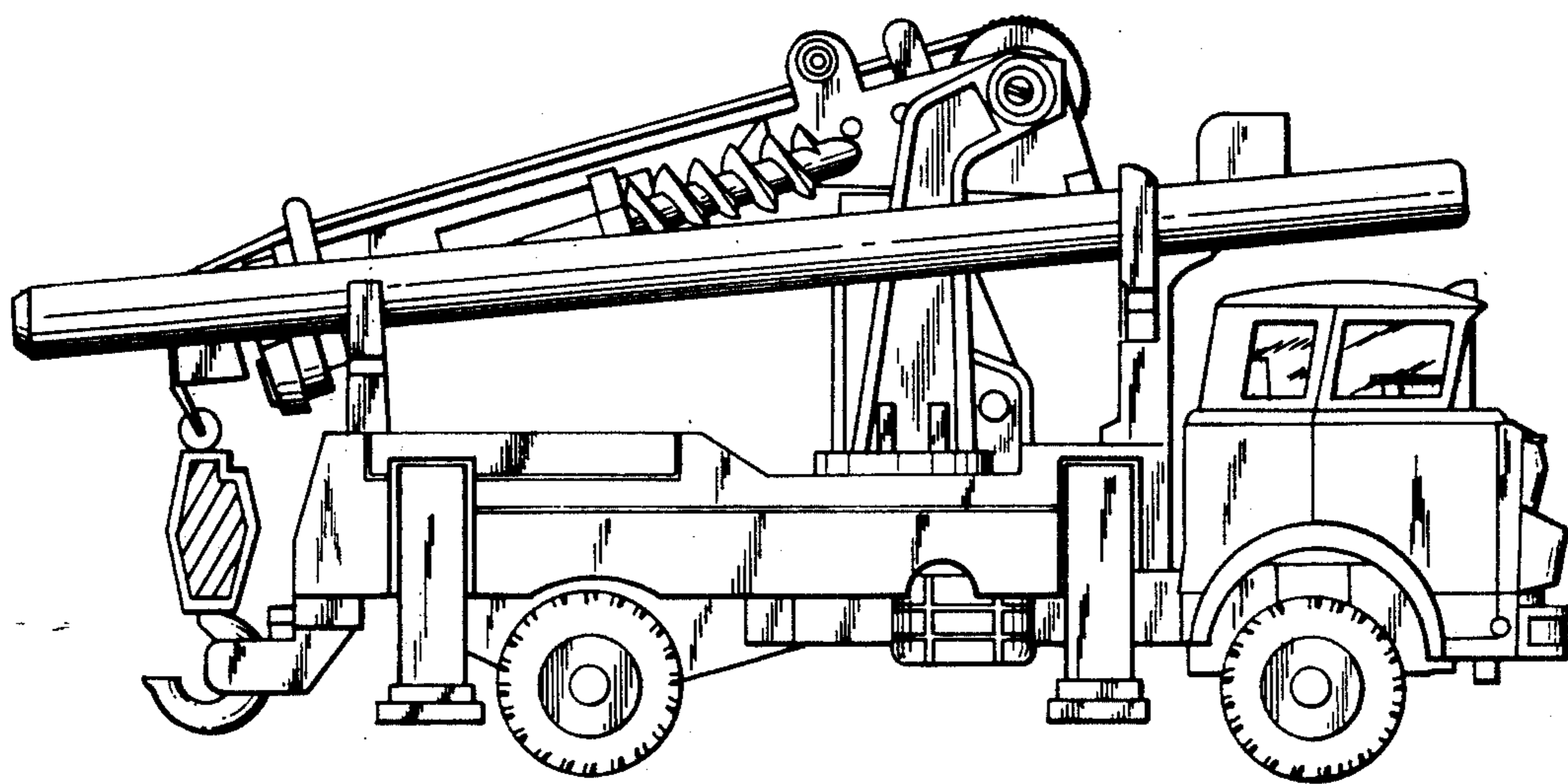


FIG. 4

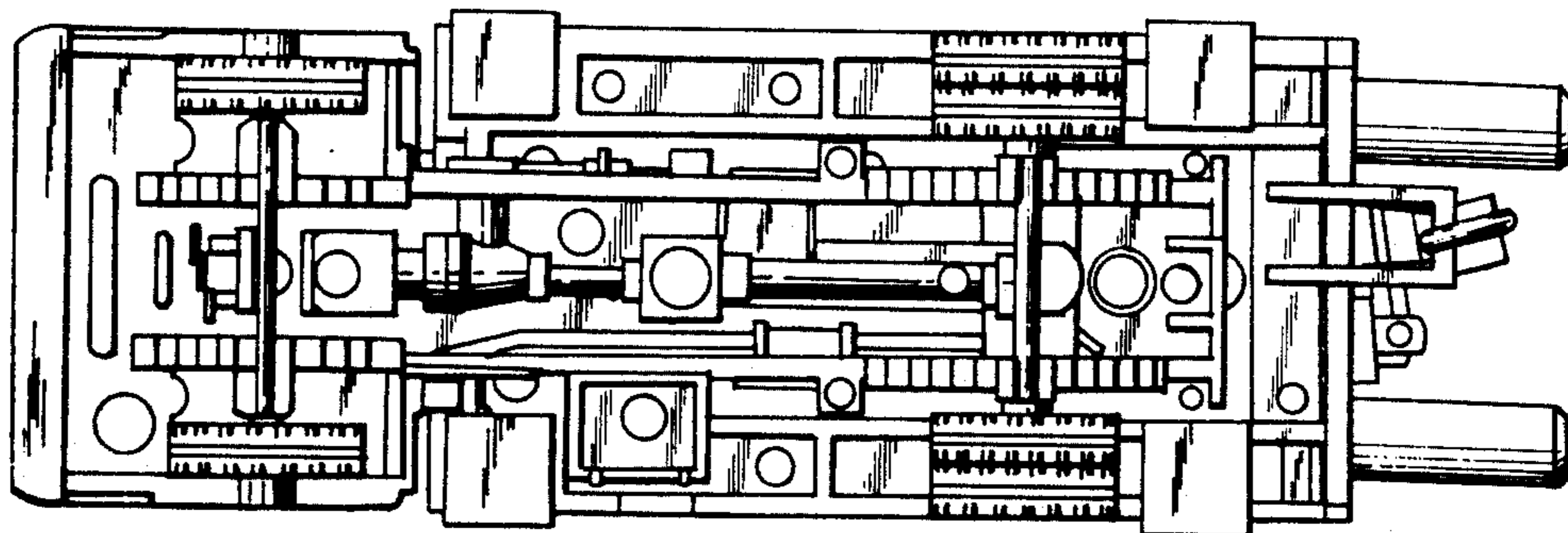


FIG. 5

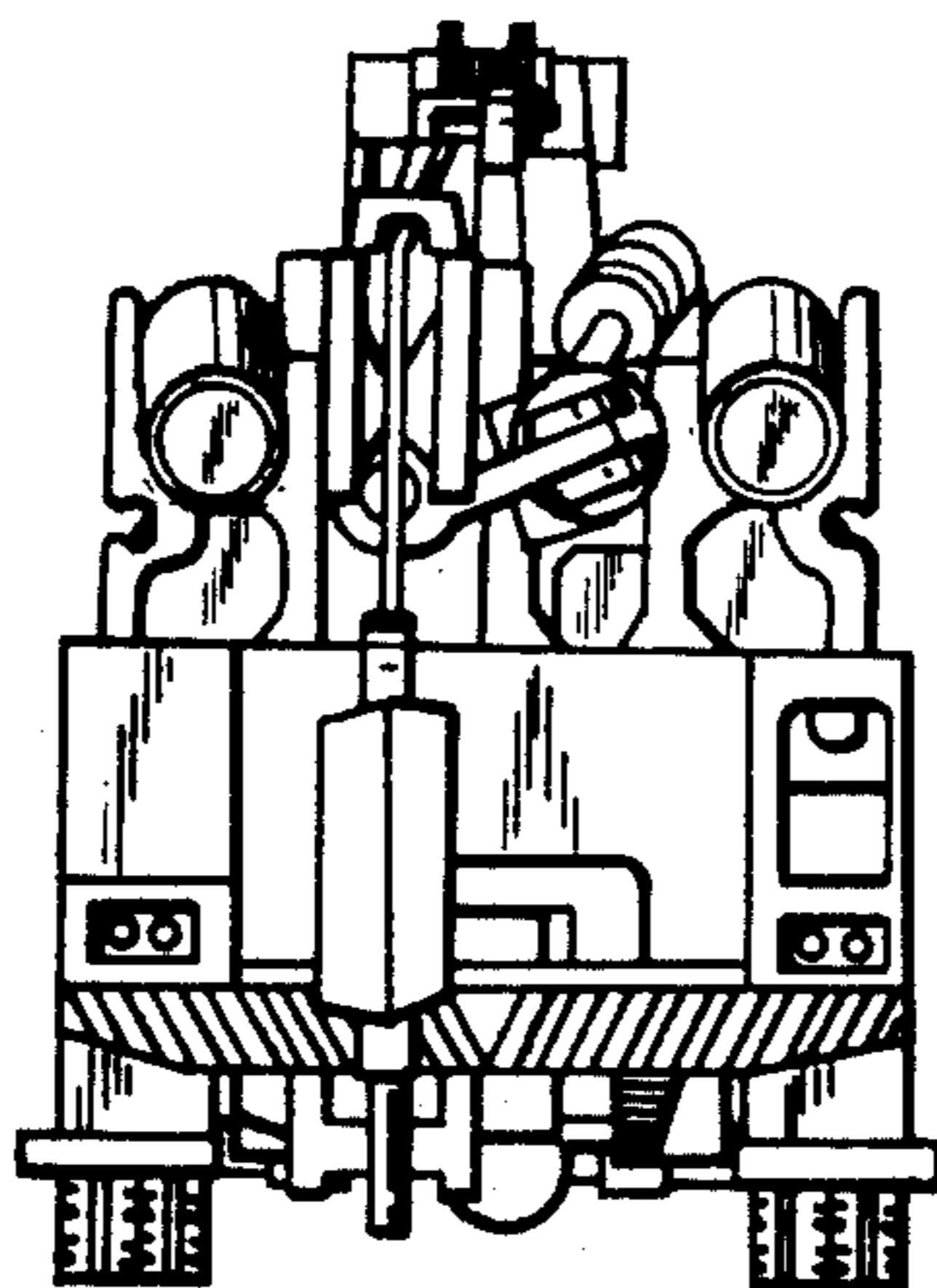


FIG. 6