

[54] TOY STEAM ROLLER

[76] Inventor: Kiyoji Asano, 2-27-23, Sumida, Sumida-ku, Tokyo, Japan

[\*\*] Term: 14 Years

[21] Appl. No.: 637,002

[22] Filed: Dec. 2, 1975

[51] Int. Cl. .... D21-01

[52] U.S. Cl. .... D21/132

[58] Field of Search ..... D12/1, 12-15, D12/82, 83, 93, 96, 99; D34/15 AJ, 15 D, 15 S, 15 AE, 15 AN; 46/201, 202, 207, 214, 215, 222, 252, 251

[56] References Cited

U.S. PATENT DOCUMENTS

D. 220,096 3/1971 Cobey ..... D12/15

D. 238,955 2/1976 Peterson ..... D34/15 AJ

OTHER PUBLICATIONS

"Commercial Bodies" 4-1922, p. 15, No. 500, Open Cabs.

Primary Examiner—Joel Stearman

Assistant Examiner—Charles A. Rademaker

Attorney, Agent, or Firm—Harry John Staas

[57] CLAIM

The ornamental design for a toy steam roller, as shown.

DESCRIPTION

FIG. 1 is a perspective view of a toy steam roller embodying my new design;

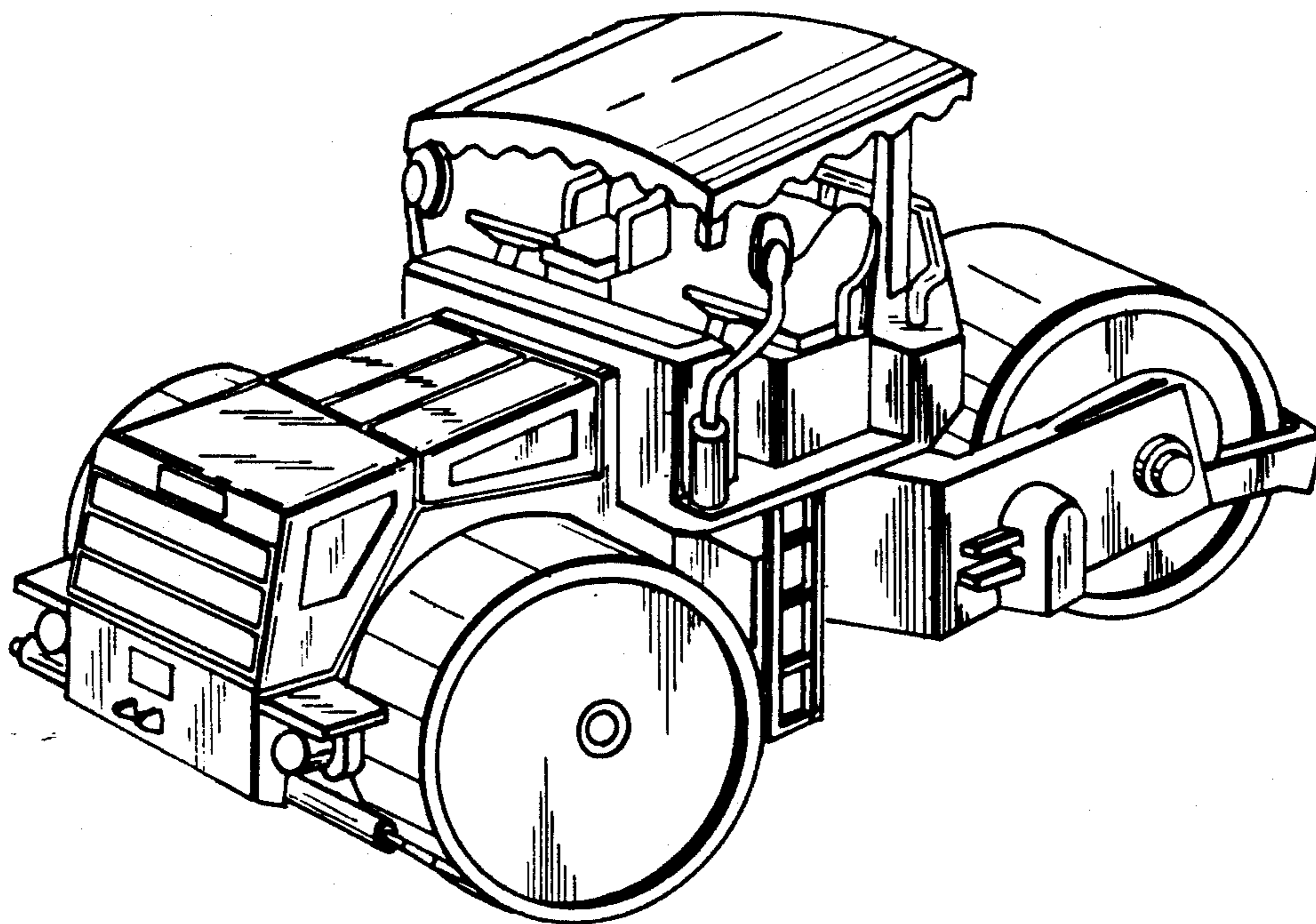
FIG. 2 is a left side elevational view thereof;

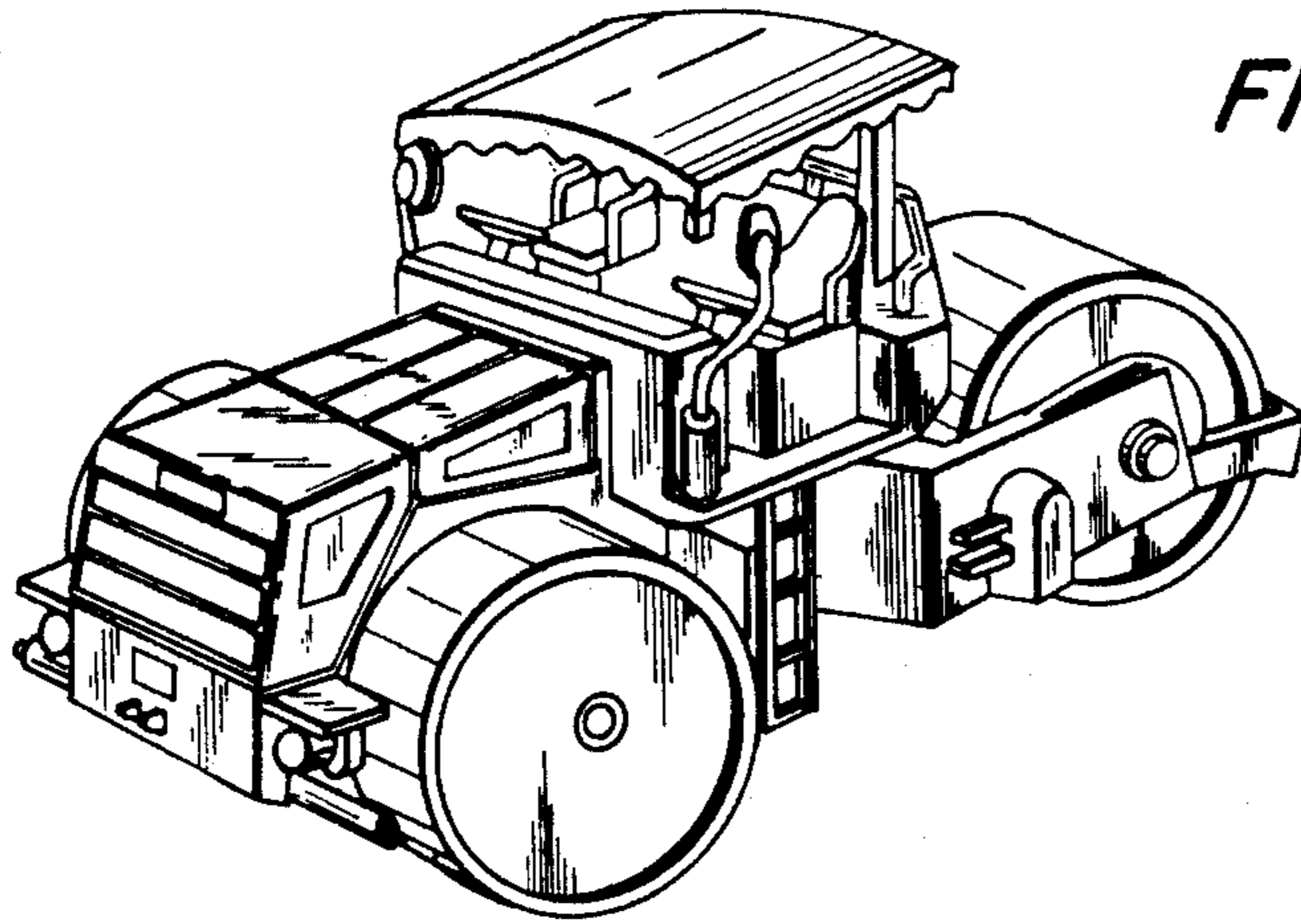
FIG. 3 is a front elevational view thereof;

FIG. 4 is a rear elevational view thereof;

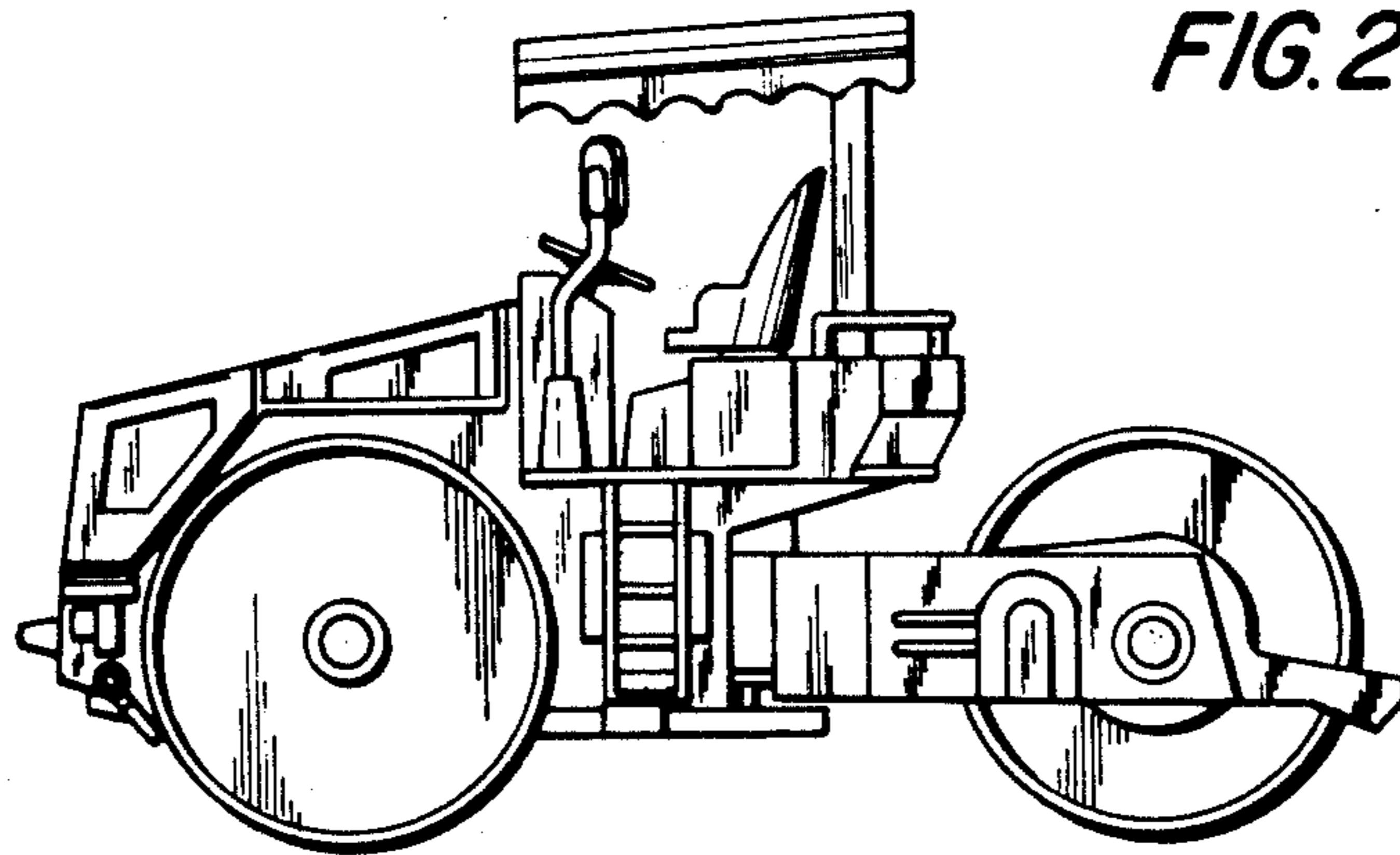
FIG. 5 is a top plan view thereof; and

FIG. 6 is a bottom plan view thereof.

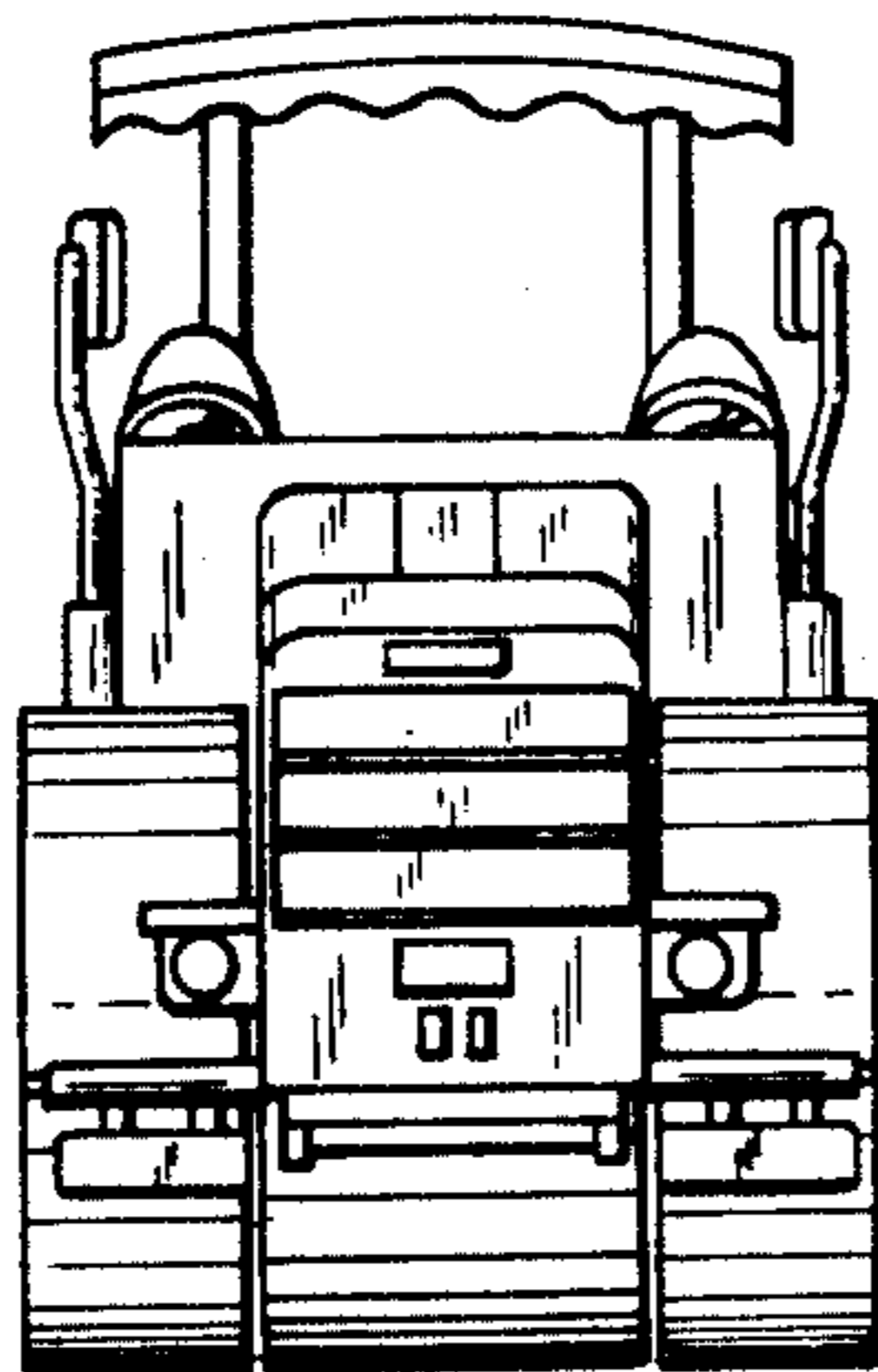




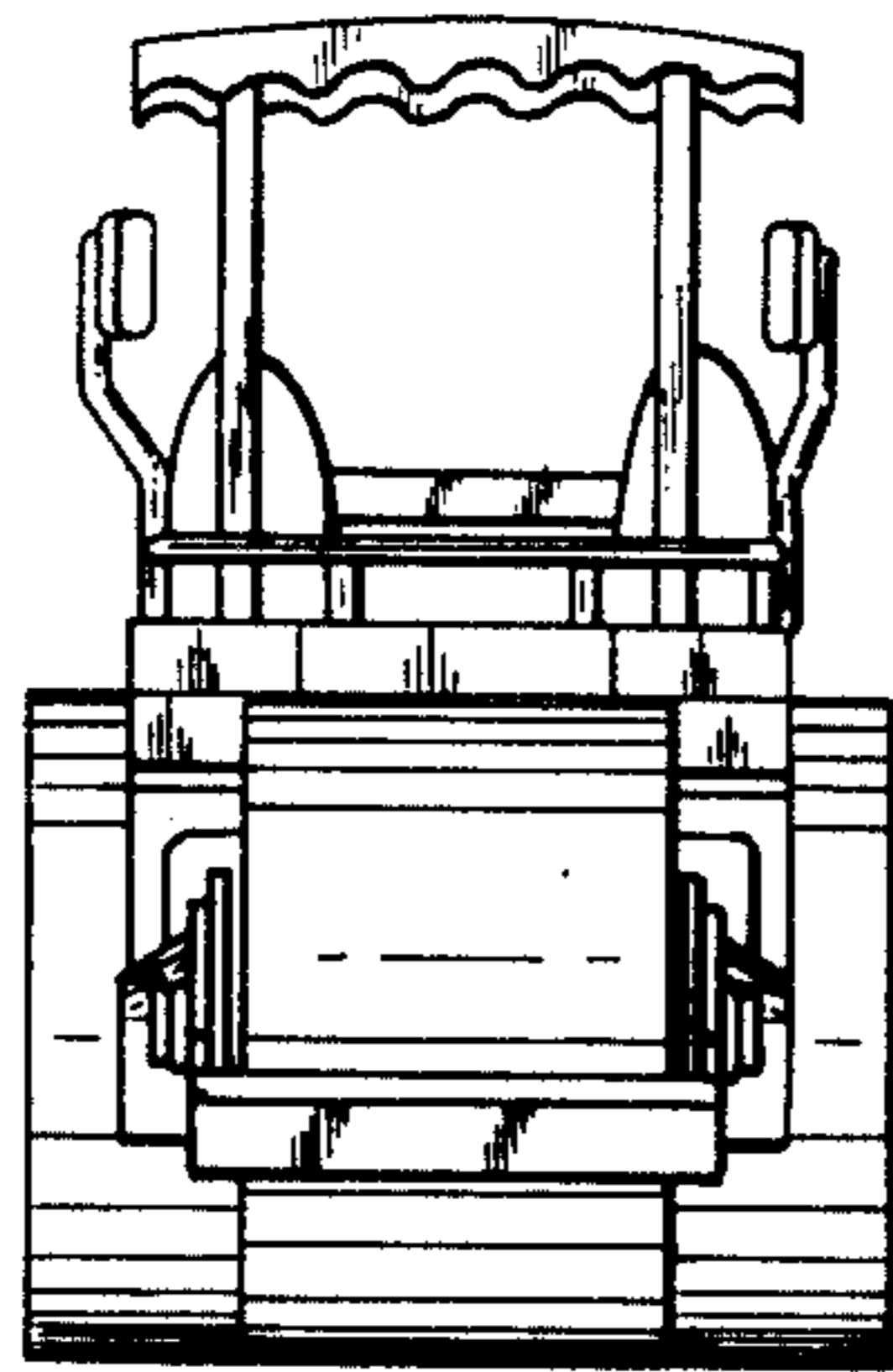
*FIG. 1*



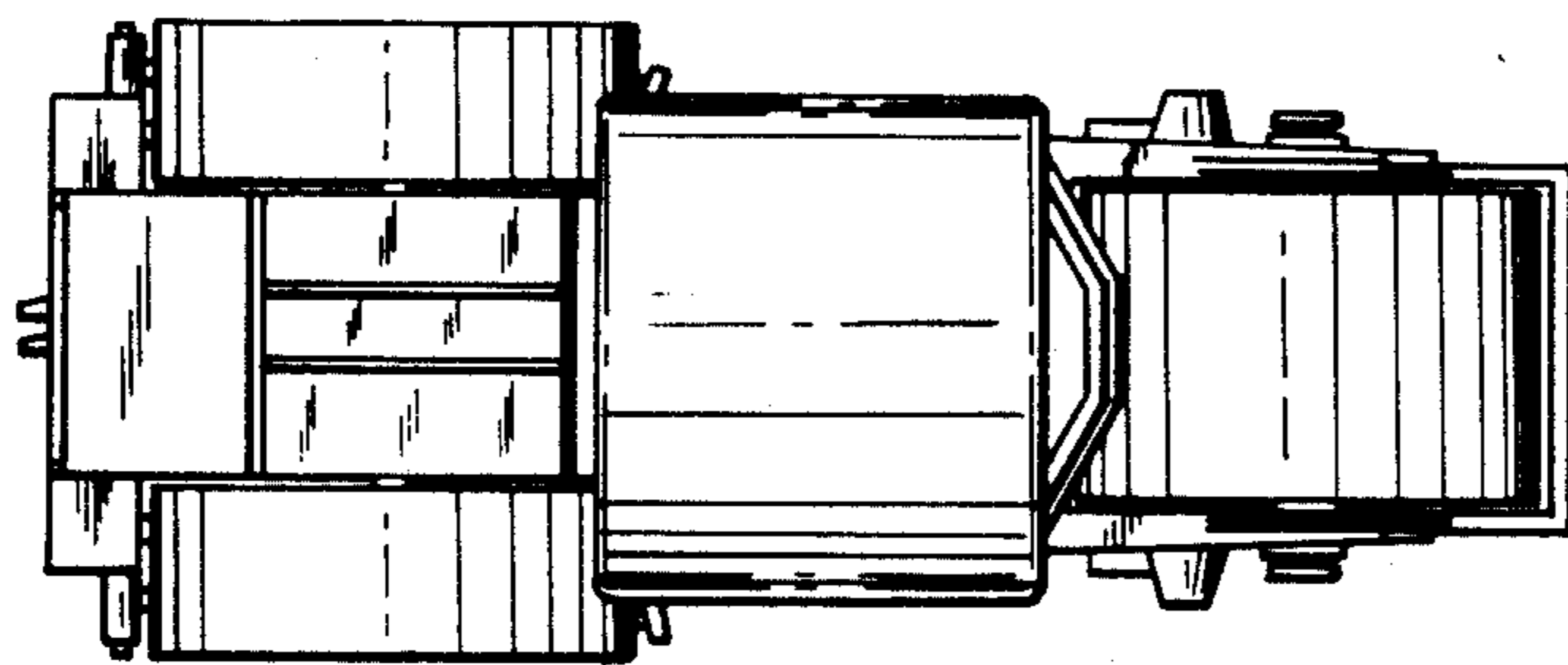
*FIG. 2*



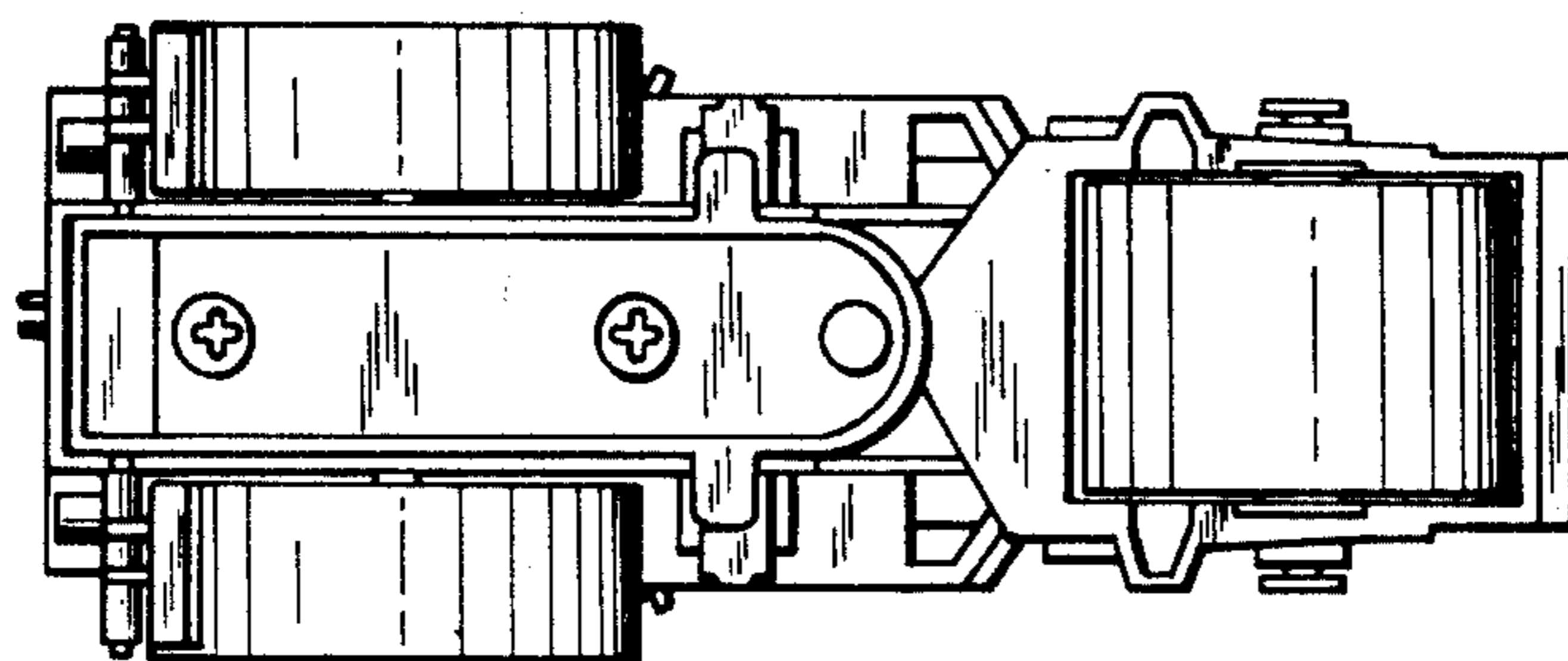
*FIG. 3*



*FIG. 4*



*FIG. 5*



*FIG. 6*