

[54] **WATER METER BOX OR THE LIKE**

[76] Inventor: **John V. Copeland**, 1134 Huron St.,
 Jacksonville, Fla. 32205

[**] Term: **14 Years**

[21] Appl. No.: **808,259**

[22] Filed: **Jun. 20, 1977**

[51] Int. Cl. **D25-02**

[52] U.S. Cl. **D25/36**

[58] Field of Search 52/21, 19, 20; 73/201;
 285/121, 128; D25/36; D23/1

[56] **References Cited**

U.S. PATENT DOCUMENTS

D. 245,103	7/1977	Gross	D25/36
983,311	2/1911	McCreedy et al.	73/201
1,139,188	5/1915	Kane	73/201 X
1,537,008	5/1925	Forni	52/21
2,883,853	4/1959	Forni	52/21

3,212,519 10/1965 Paschen 52/21 X
 3,968,600 7/1976 Bowman 52/19

Primary Examiner—A. Hugo Word
Attorney, Agent, or Firm—George H. Baldwin

[57] **CLAIM**

The ornamental design for water meter box or the like,
 substantially as shown and described.

DESCRIPTION

FIG. 1 is an exploded perspective a water meter box or
 the like showing my new design; with the lid in open
 condition;

FIG. 2 is a top plan view thereof with the lid in closed
 condition;

FIG. 3 is a side elevational view thereof;

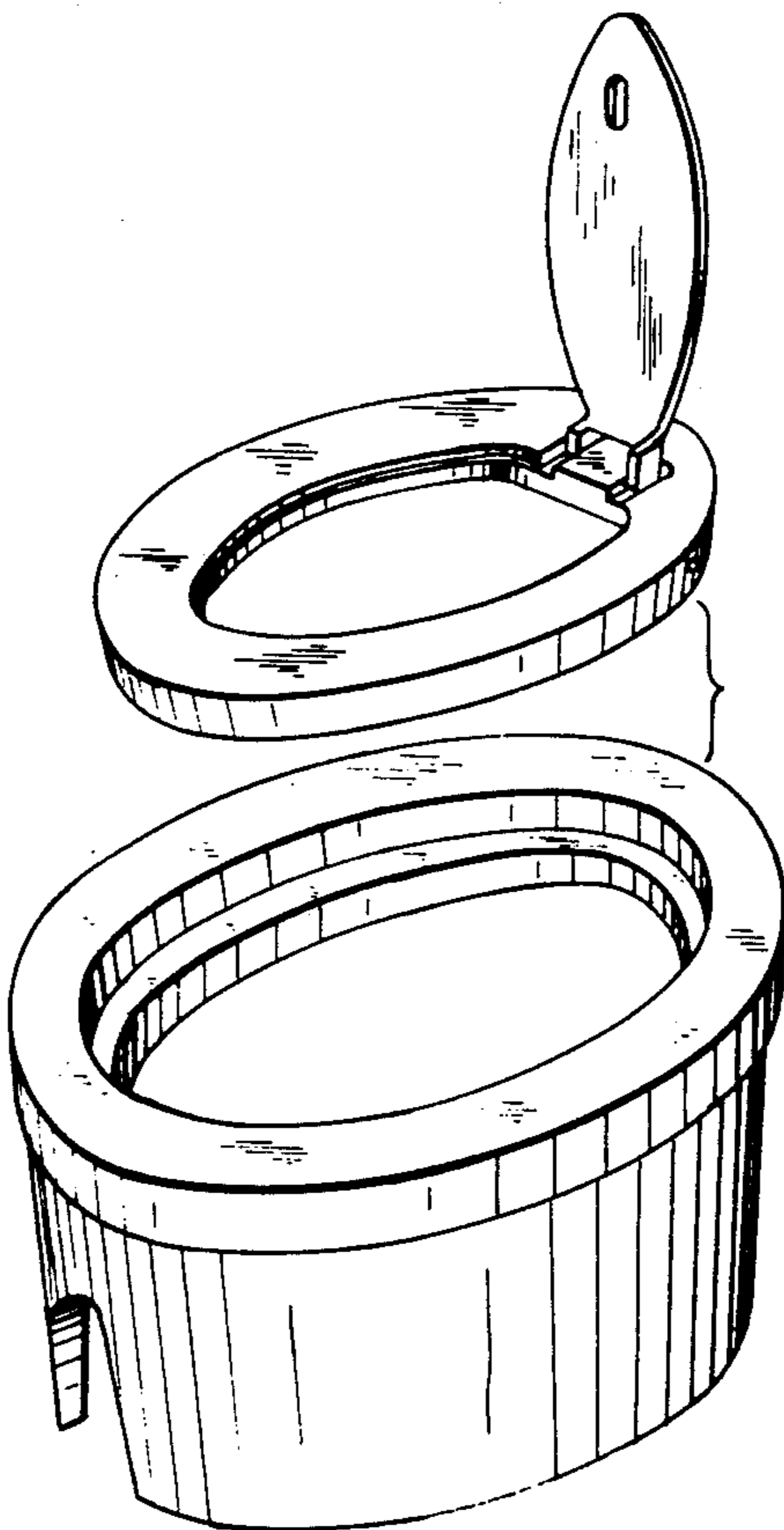
FIG. 4 is a left end elevational view thereof;

FIG. 5 is a right end elevational view thereof;

FIG. 6 is a bottom view of the cover and lid thereof;

FIG. 7 is an enlarged cross-sectional view taken along
 line 7-7 of FIG. 2; and

FIG. 8 is an enlarged bottom view thereof.



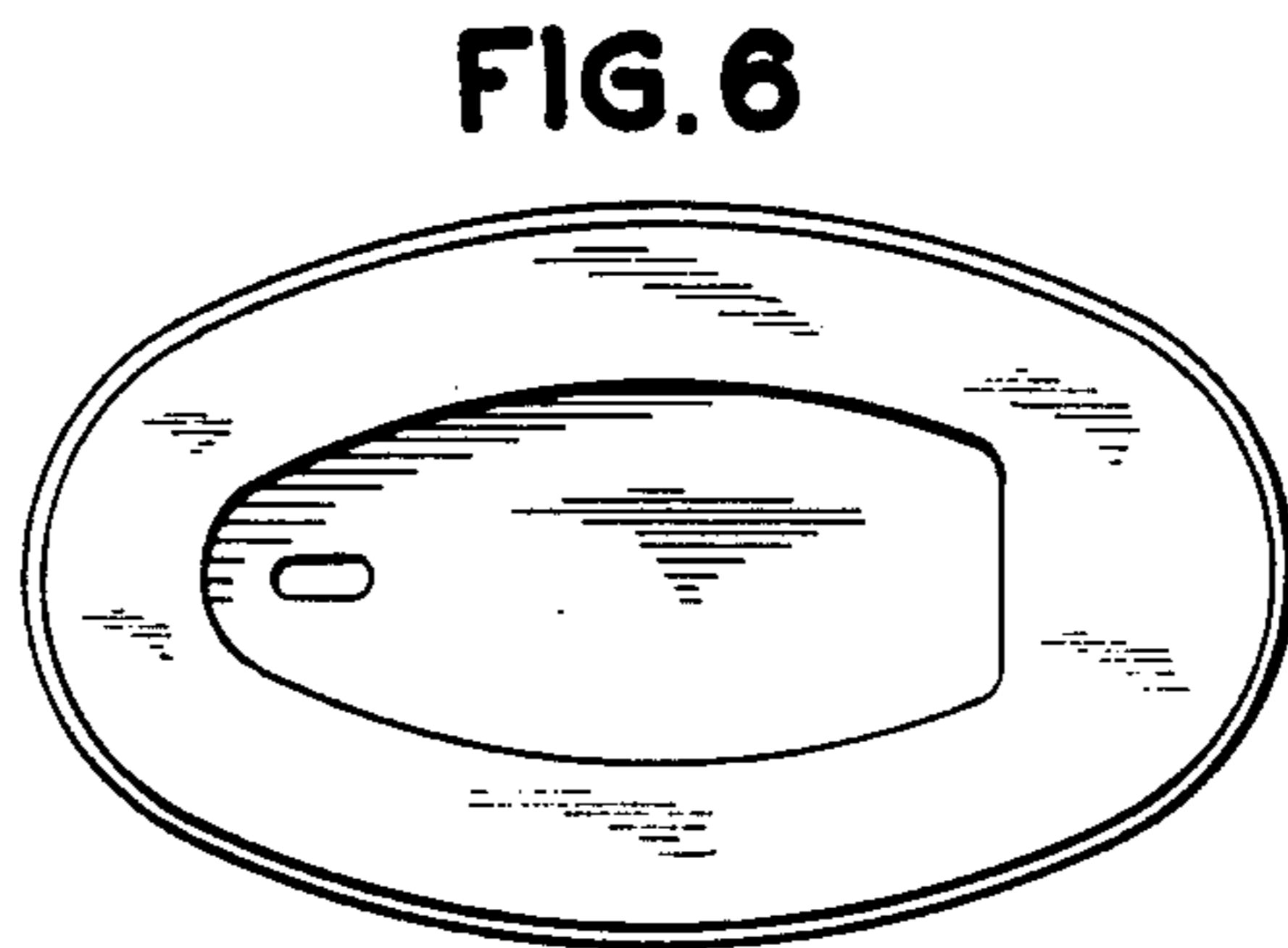
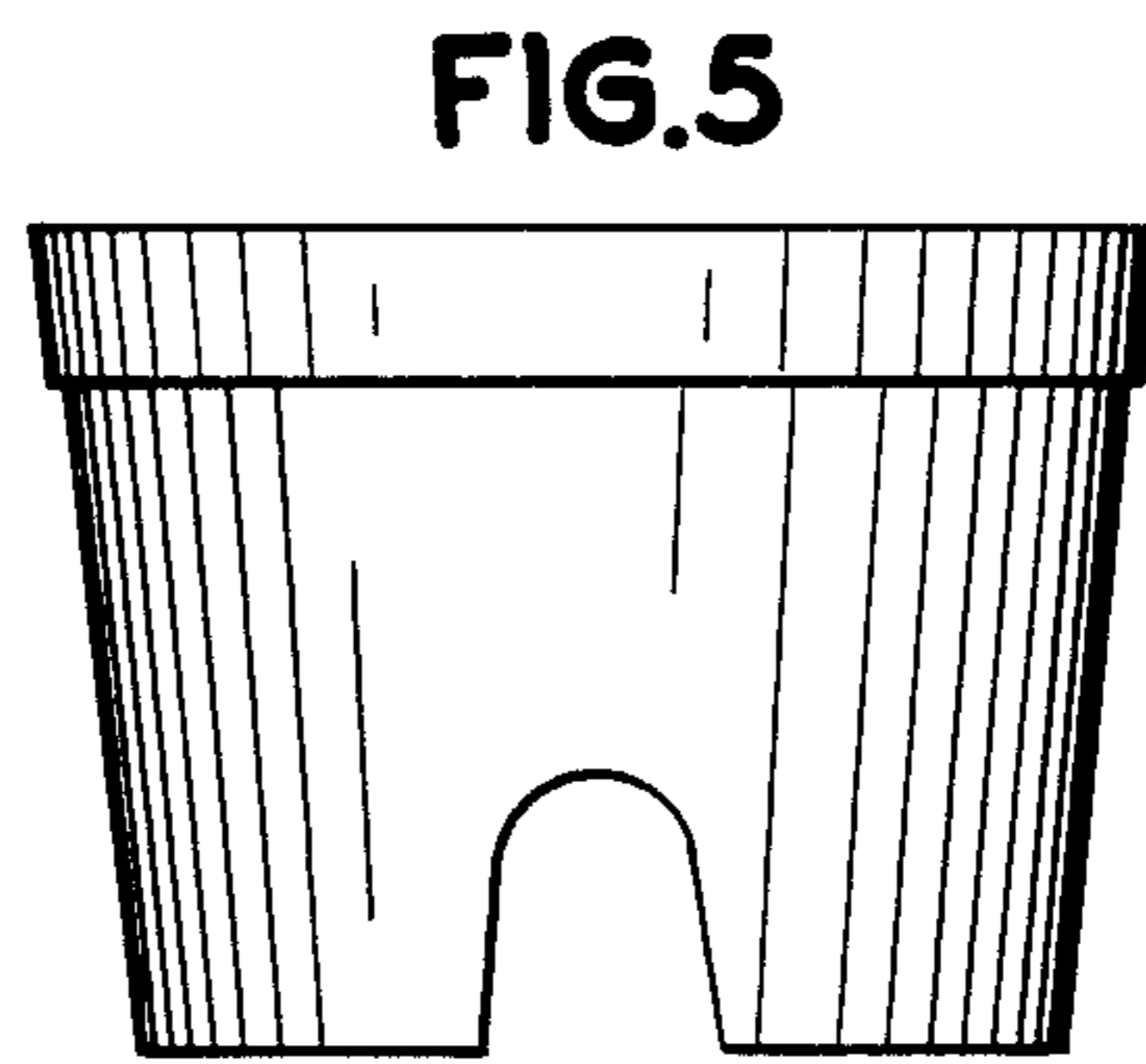
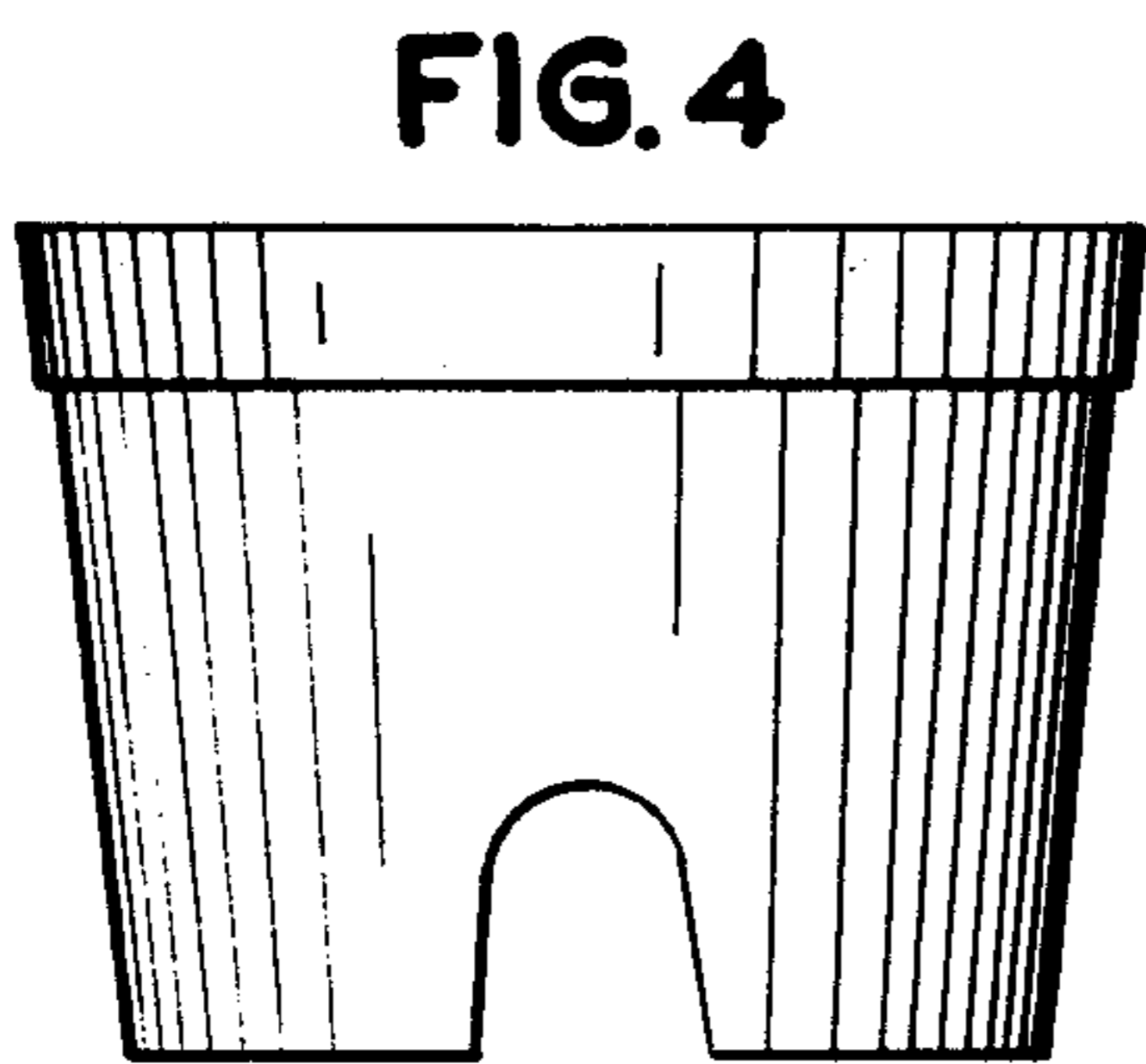
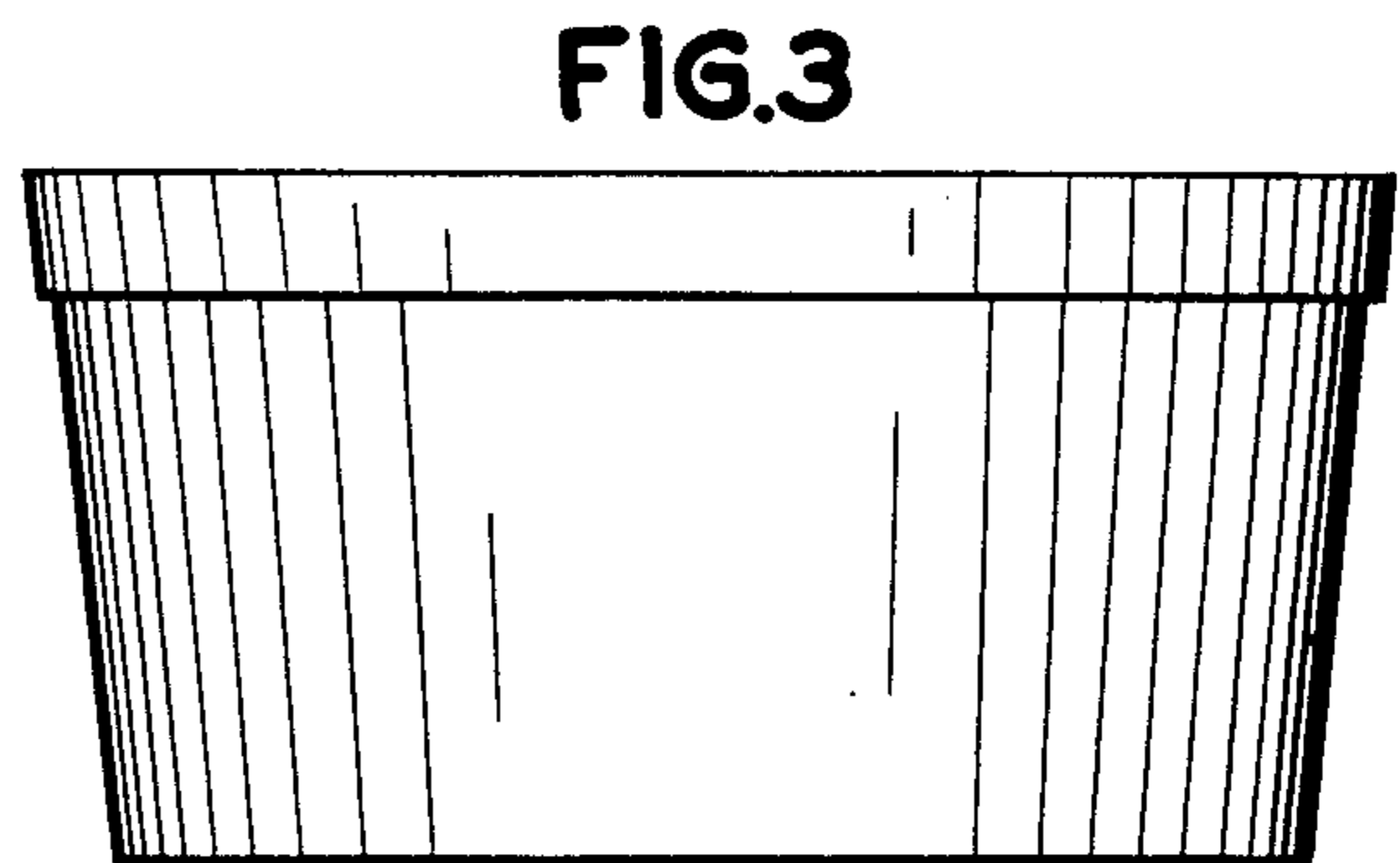
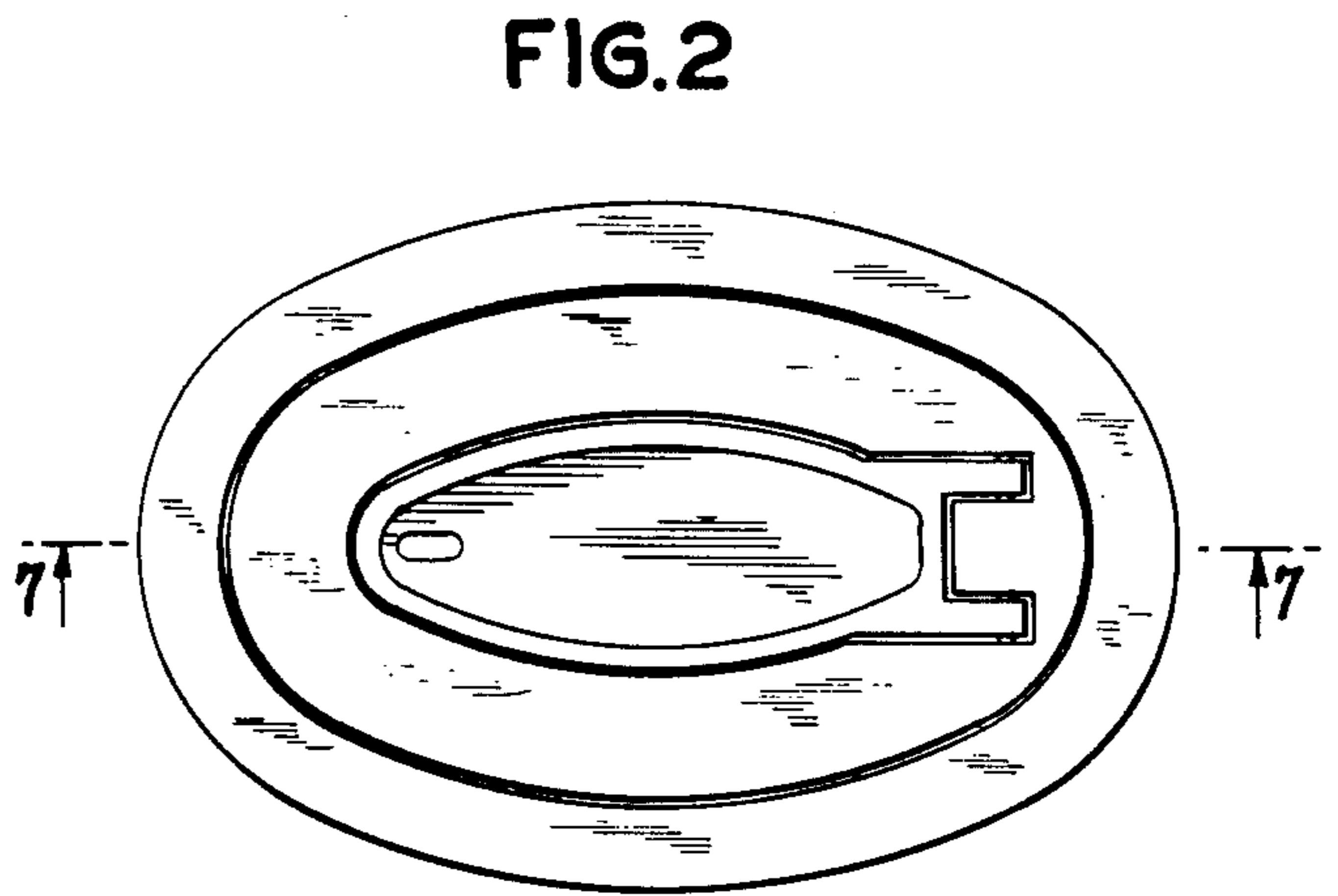
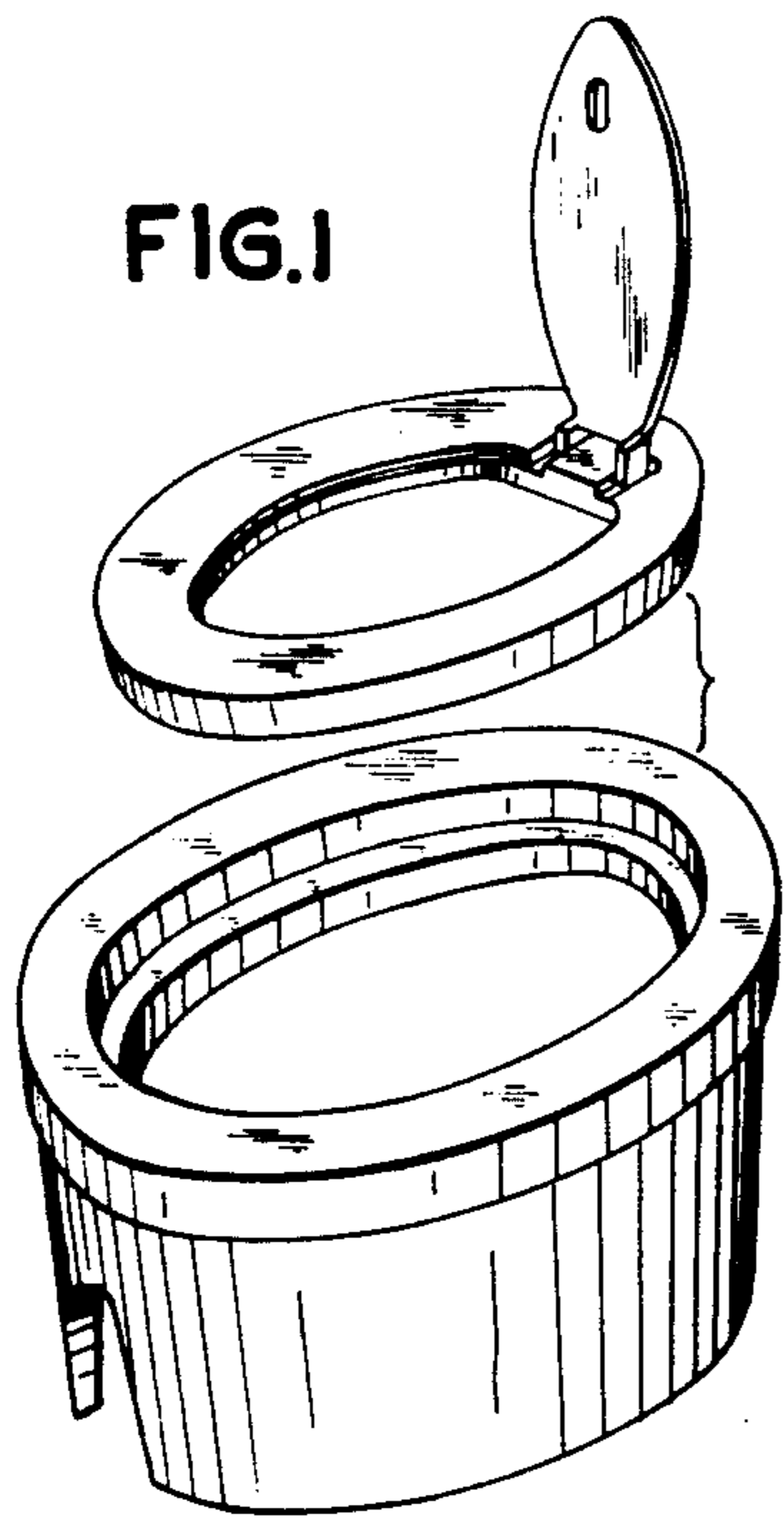


FIG. 7

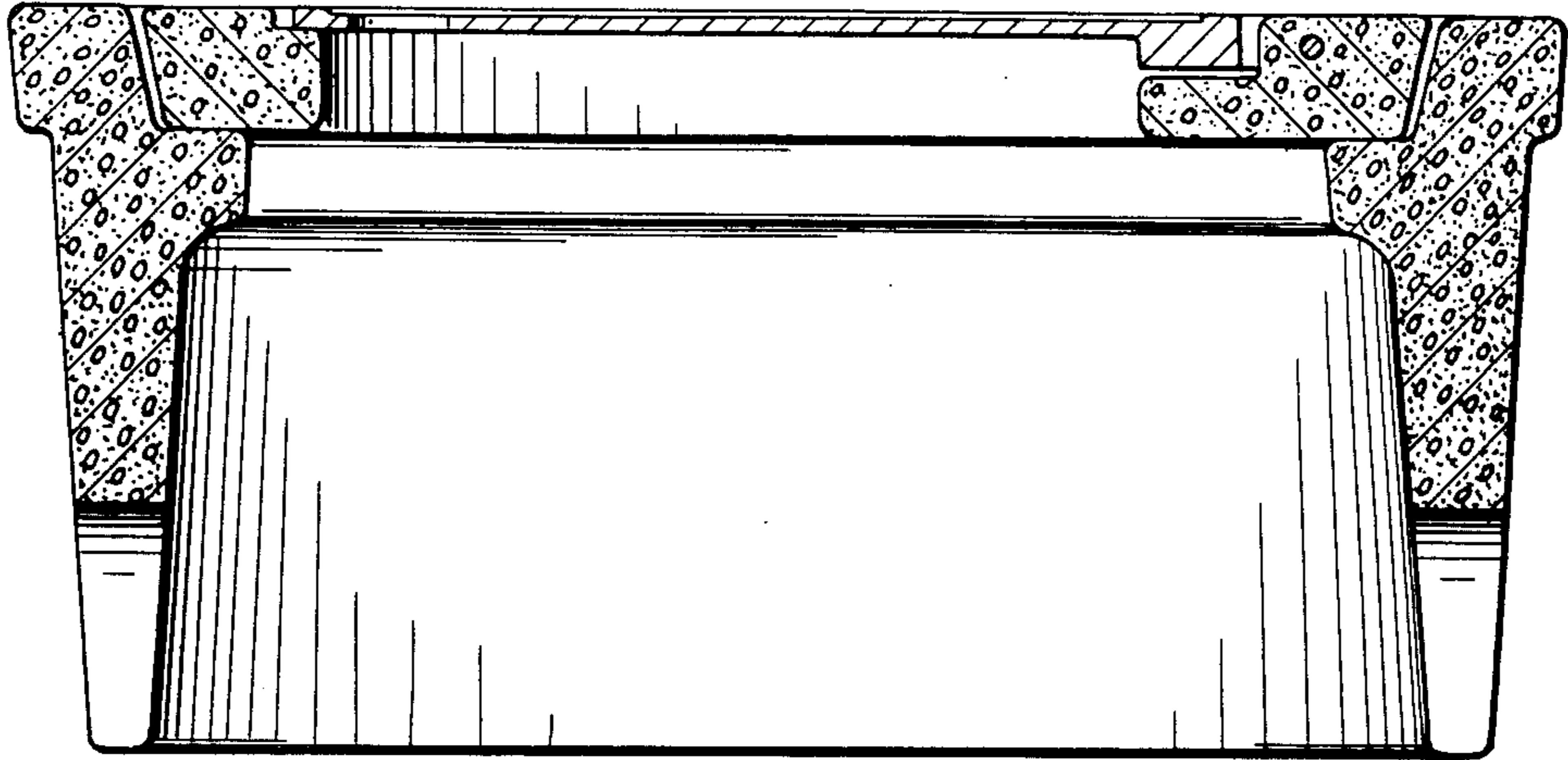


FIG. 8

