

[54] LIGHTED SIGHT PIN FOR ARCHERY SCOPES

3,865,095 2/1975 Helmick ..... 33/265 X  
3,910,700 10/1975 Sprandel ..... 33/265 X  
4,026,032 5/1977 Smith ..... 33/265

[76] Inventor: Fredrick A. Smith, 8945 Dearborn Ave., Detroit, Mich. 48209

Primary Examiner—A. Hugo Word  
Attorney, Agent, or Firm—Adolph G. Martin

[\*\*] Term: 14 Years

[57] CLAIM

[21] Appl. No.: 830,912

The ornamental design for a lighted sight pin for archery scopes, as shown and described.

[22] Filed: Sep. 6, 1977

DESCRIPTION

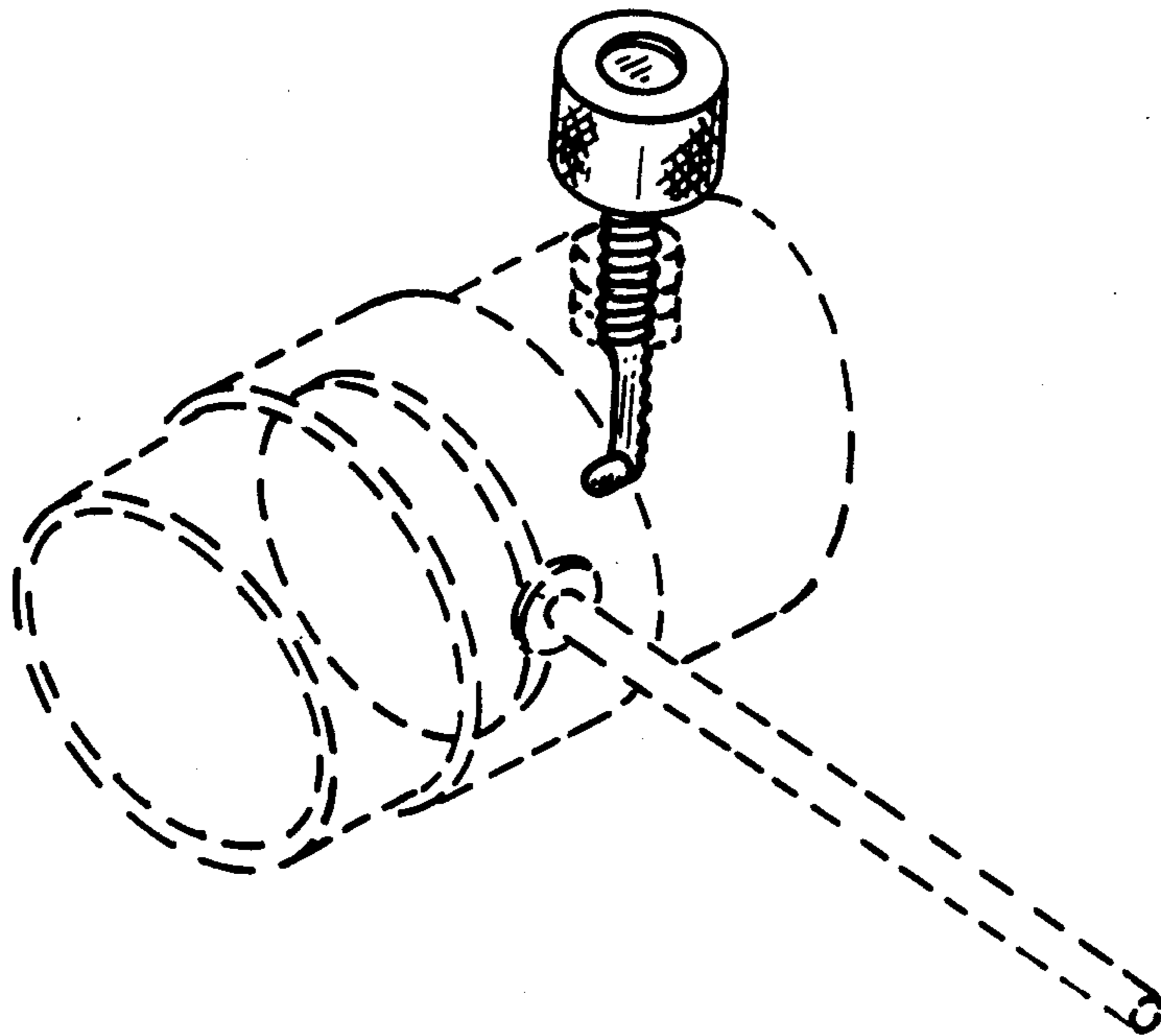
[51] Int. Cl. .... D22—01  
[52] U.S. Cl. .... D22/5; D22/8  
[58] Field of Search ..... 33/265, 233, 241;  
240/6.41; 124/23 B, 24 R, 30 R, 87; D22/5, 7, 8

FIG. 1 is a perspective view of a lighted sight pin for archery scopes, showing my new design;  
FIG. 2 is an enlarged front elevational view thereof;  
FIG. 3 is an enlarged back elevational view thereof;  
FIG. 4 is an enlarged side elevational view thereof;  
FIG. 5 is an enlarged elevational view taken from the side opposite that shown in FIG. 4;  
FIG. 6 is a top plan view thereof; and  
FIG. 7 is a bottom plan view thereof.  
The broken lines representation of a scope is for illustrative purposes only.

[56] References Cited

U.S. PATENT DOCUMENTS

D. 240,527 7/1976 Nishikata ..... D22/5  
3,505,985 4/1970 Helton ..... 124/87 X  
3,800,424 4/1974 Saunders et al. .... 33/265



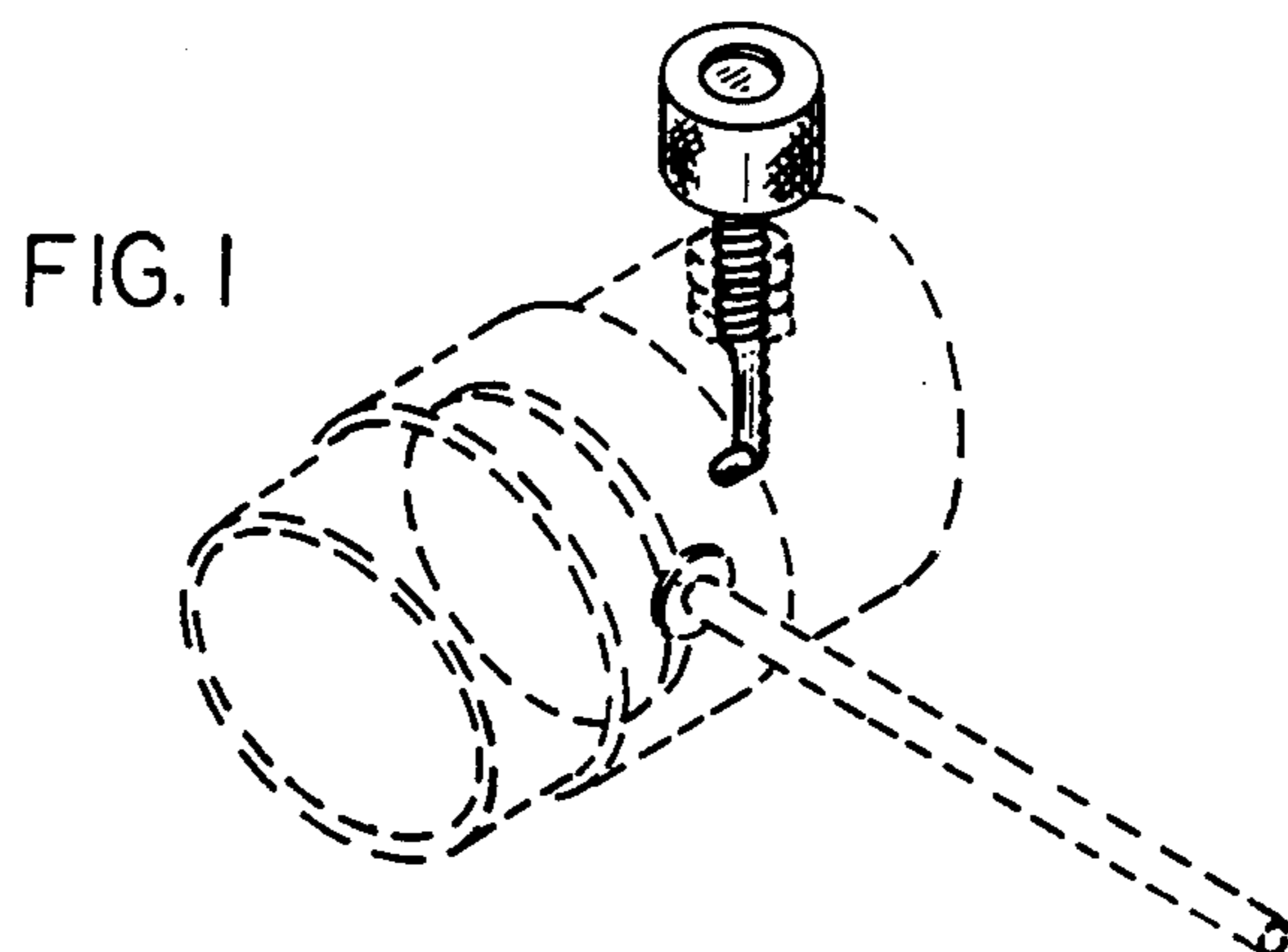


FIG. 2

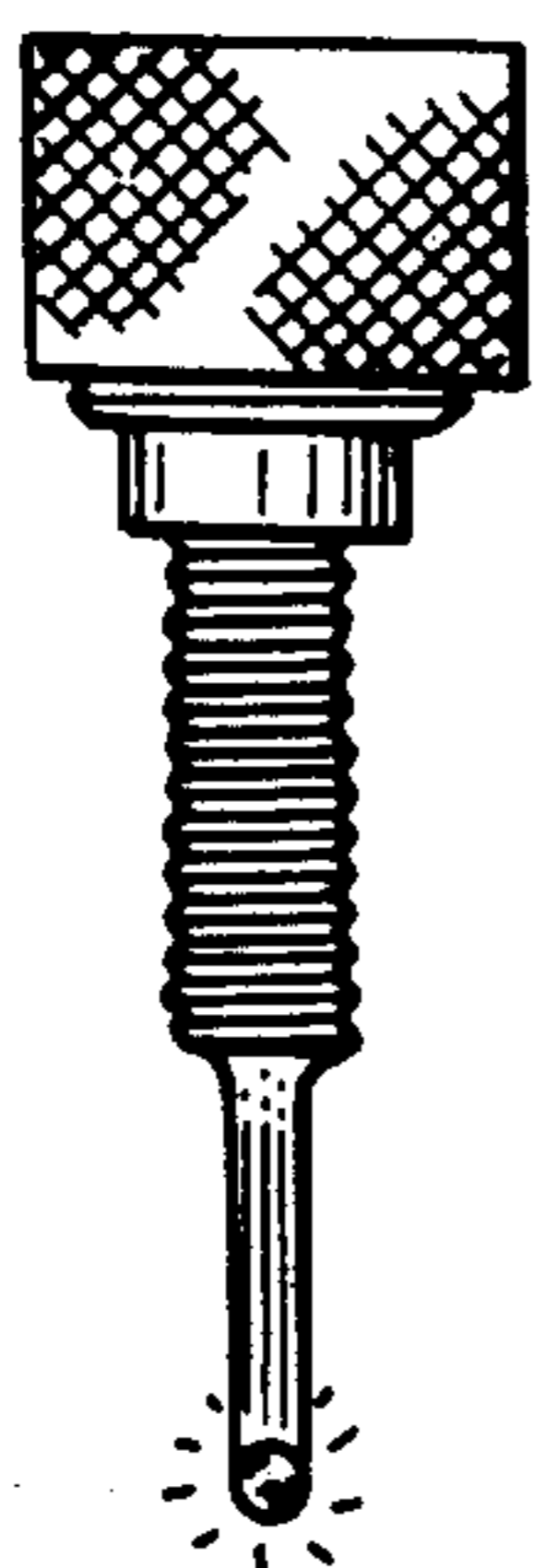


FIG. 3

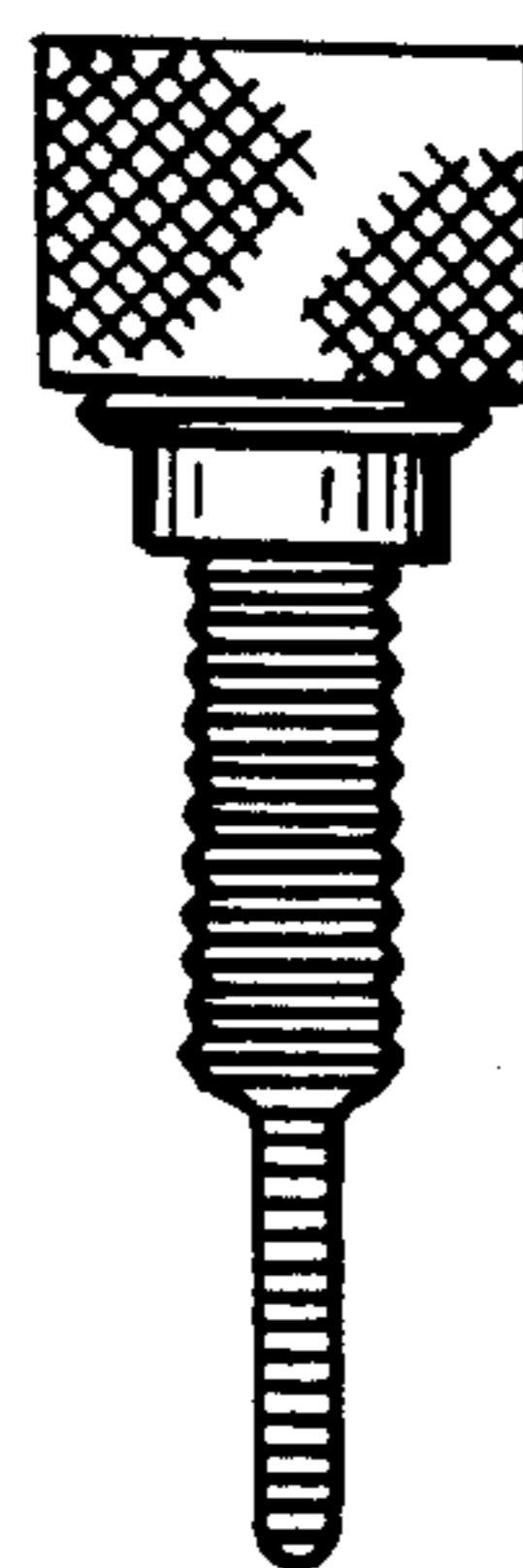


FIG. 6

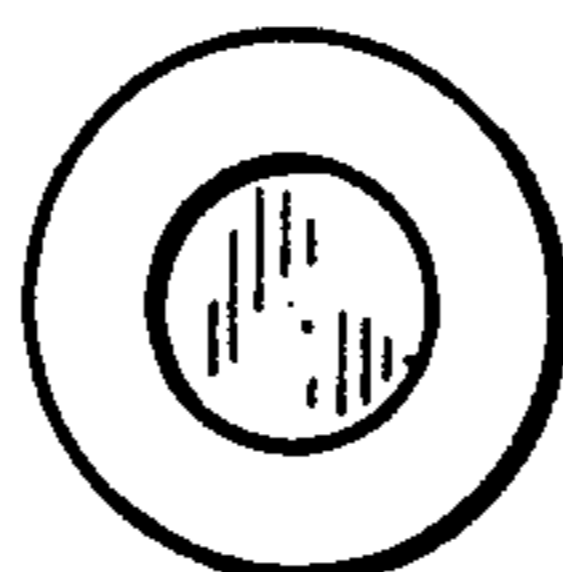


FIG. 4

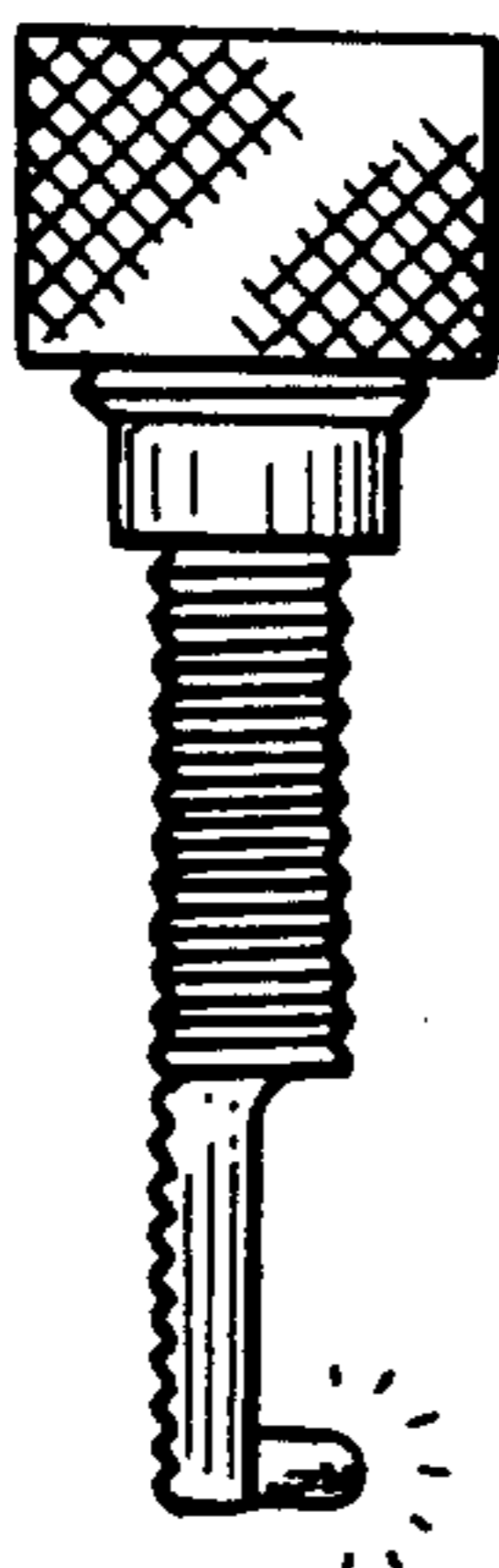


FIG. 5

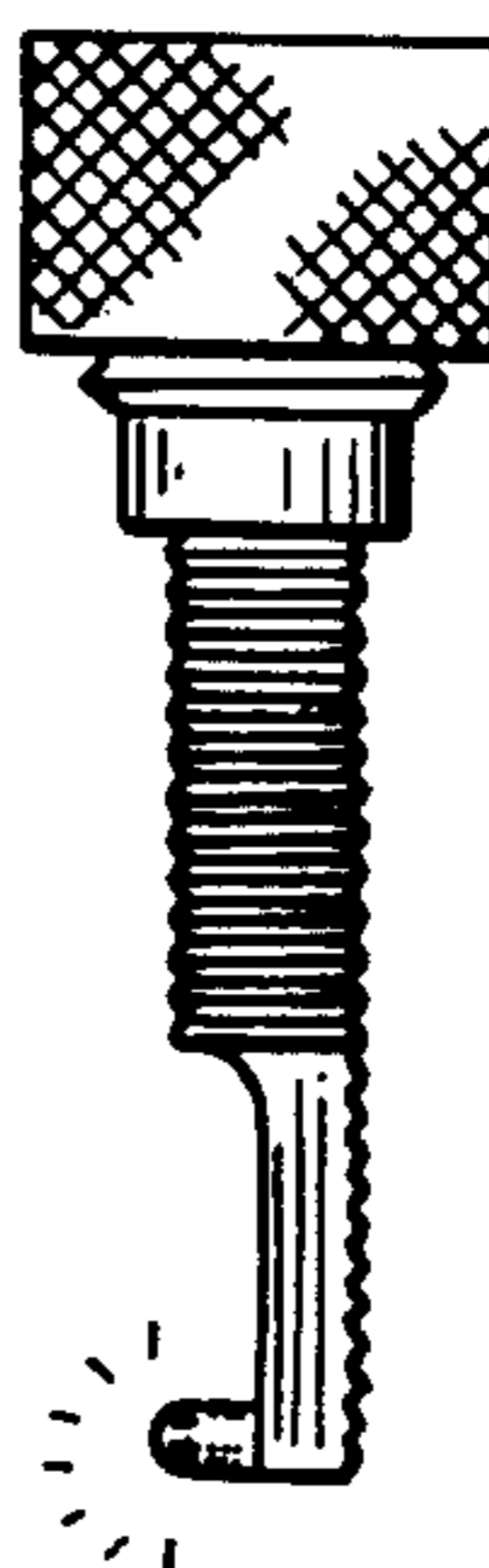


FIG. 7

