

[54] COMBINED DISPLAY AND SELECTION CONSOLE

[76] Inventor: Myron L. Denhoff, 435 E. 85th St., New York, N.Y. 10028

[\*\*] Term: 3½ Years

[21] Appl. No.: 921,870

[22] Filed: Jul. 3, 1978

[51] Int. Cl. .... D20-02; D20-03

[52] U.S. Cl. .... D20/19; D6/85; D6/180; D19/62

[58] Field of Search ..... D6/85, 180; D19/59, D19/62, 64; 35/59; 40/491; D96/1, 2

[56] References Cited

U.S. PATENT DOCUMENTS

3,140,552	7/1964	Mader .....	40/491
3,485,204	12/1969	Christman .....	40/491
3,596,390	8/1971	Scalice .....	35/59

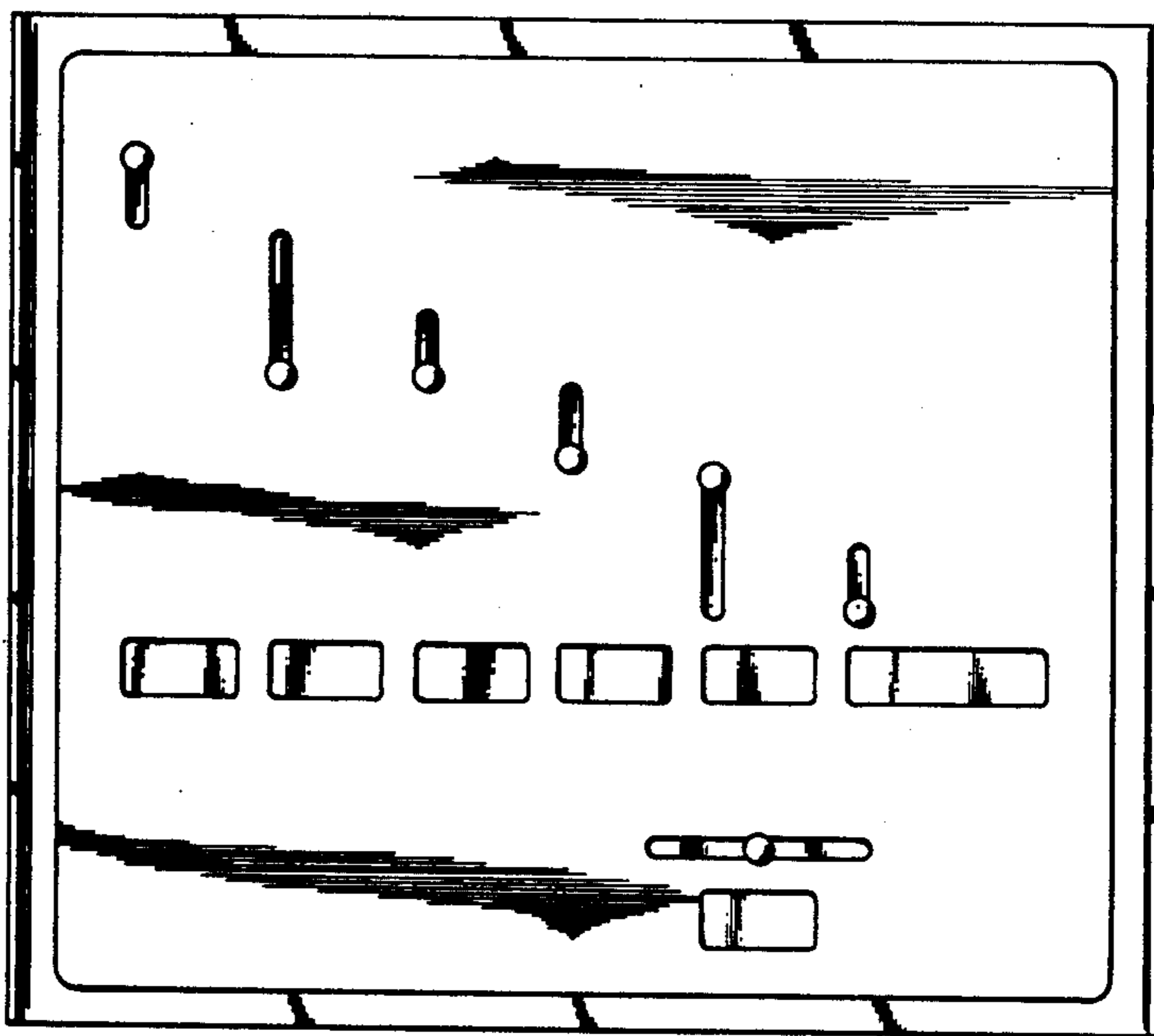
Primary Examiner—Wallace R. Burke  
Assistant Examiner—B. J. Bullock  
Attorney, Agent, or Firm—Harold James

[57] CLAIM

The ornamental design for a combined display and selection console, substantially as shown and described.

DESCRIPTION

FIG. 1 is a top plan view of a combined display and selection console showing my new design; FIG. 2 is a front elevational view thereof; FIG. 3 is a rear elevational view thereof; FIG. 4 is a side elevational view taken from the right of FIG. 1, the side opposite being a mirror image thereof; FIG. 5 is a bottom plan view thereof.



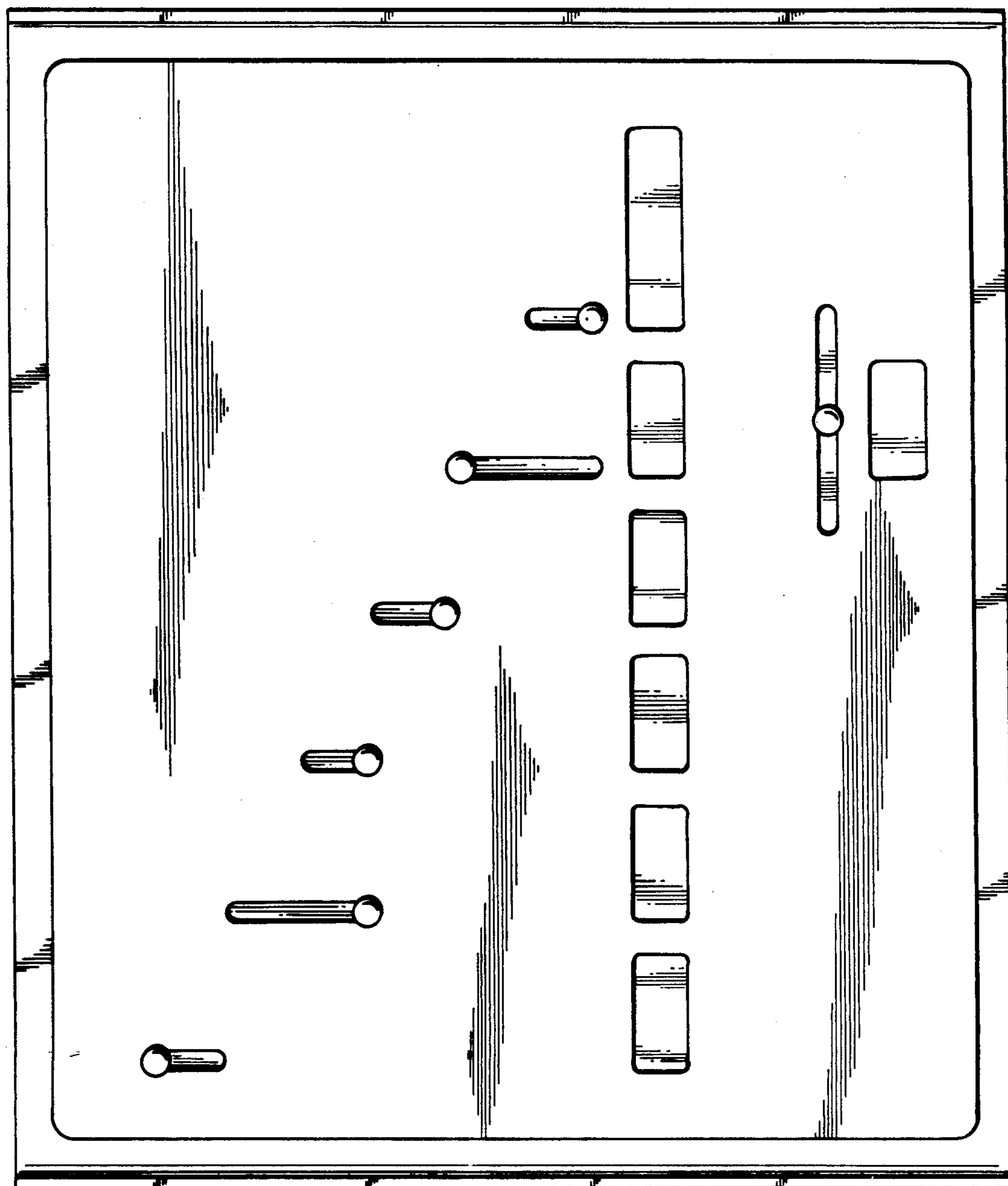


FIG. 1

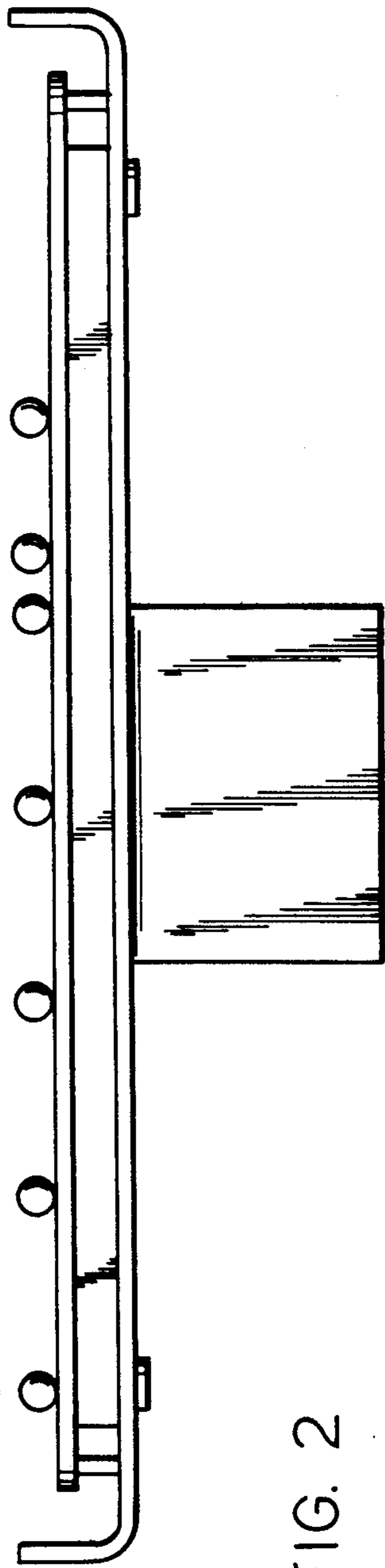


FIG. 2

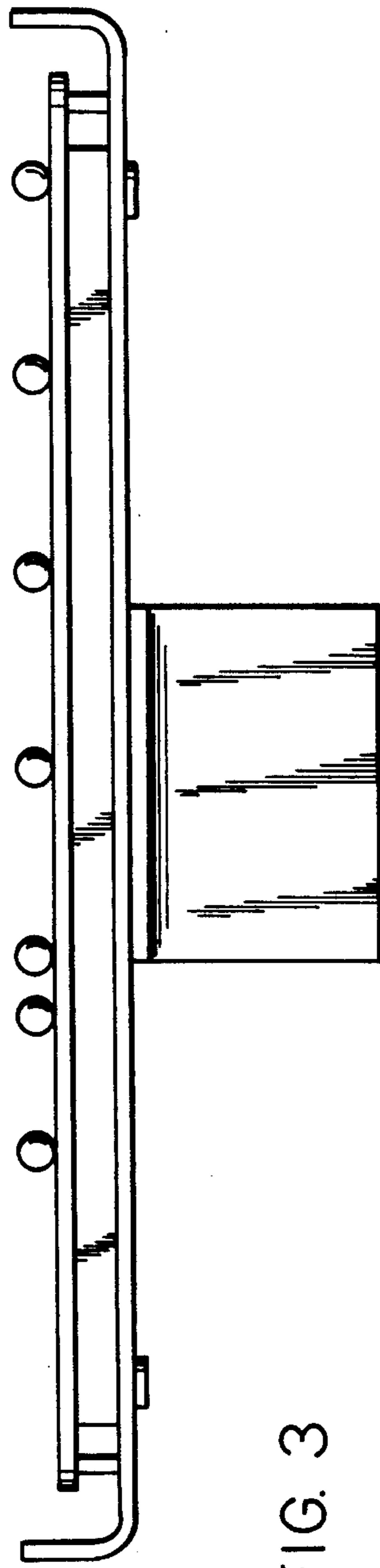


FIG. 3

FIG. 4

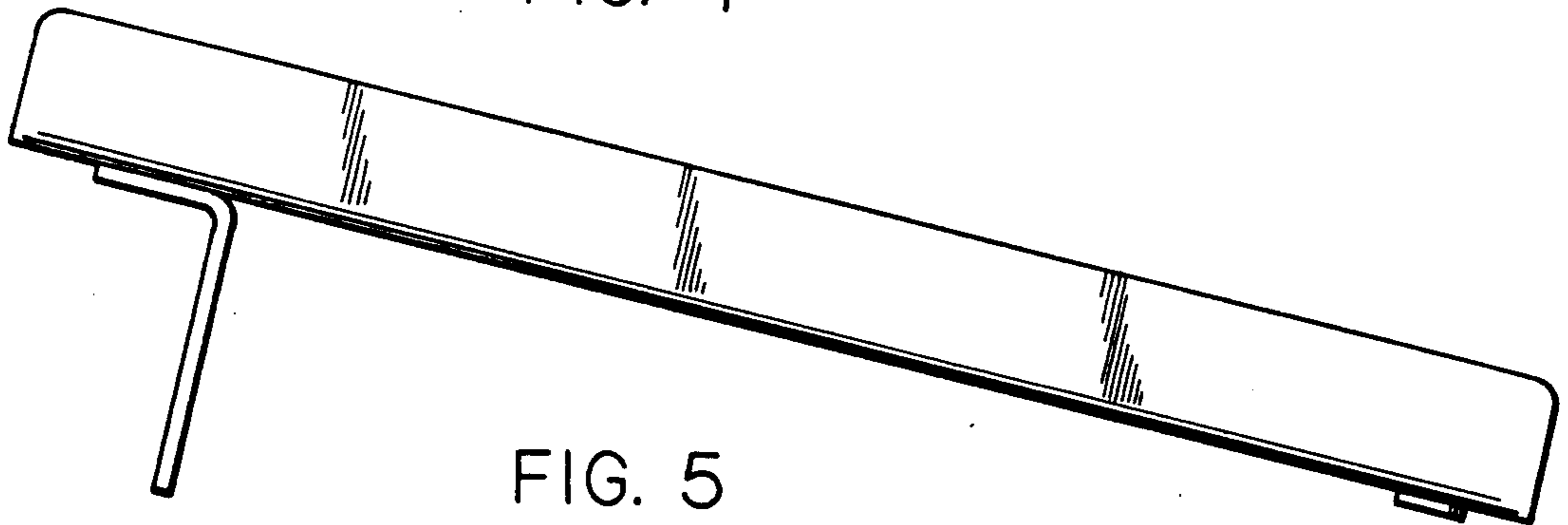


FIG. 5

